

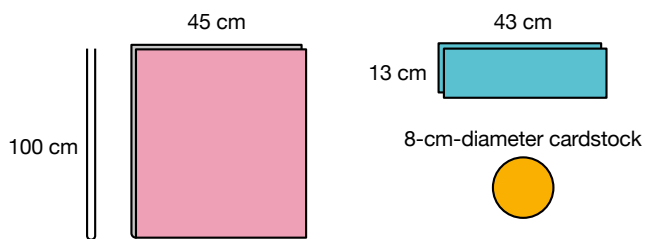
Synthetic leather bag

1. If there are no instructions to use a specific stitch, use the straight stitch.
2. Presser foot "J" (straight stitch) and the Non-Stick Foot F007N (sold separately) will be used.

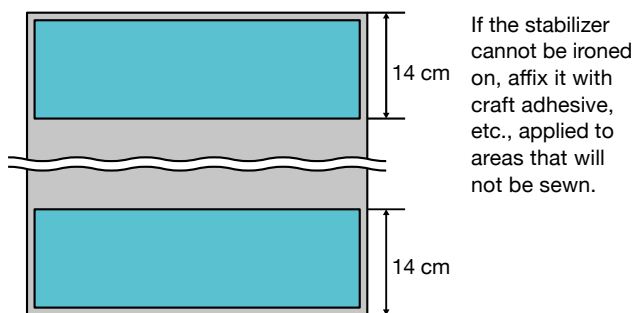


Materials

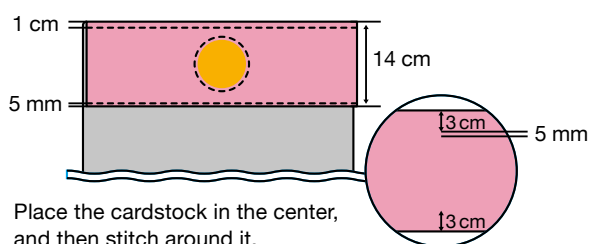
- Synthetic leather (45 cm wide × 100 cm)
- Stabilizer (43 cm wide × 13 cm) – 2 pieces
- Cardstock (circle of 8 cm in diameter)



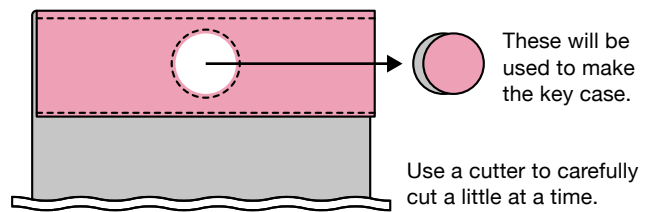
1 Affix stabilizer to the portions to be folded over.



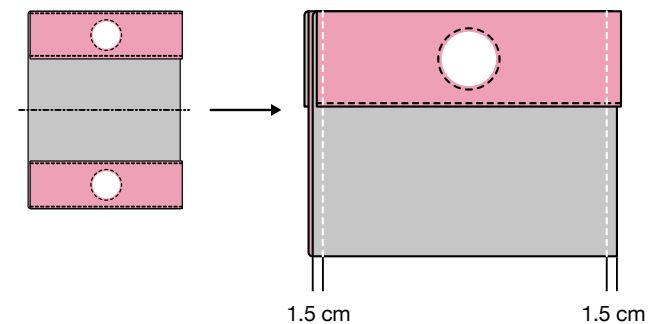
2 Fold over, and then stitch along the top and bottom and around a circle for the handle opening. (Do the same on both ends.)



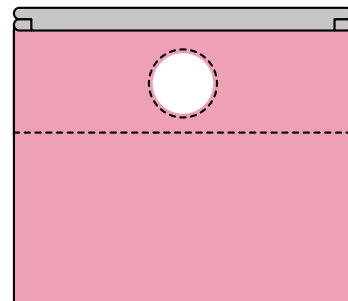
3 Cut circles out of the handles.



4 Fold the body in half, and then stitch along the sides.



5 Turn right side out to complete the project.



Use the Roller Foot F066 (sold separately) or Non-Stick Foot F007N (sold separately) for smooth sewing of synthetic leather.

