



# Online User's Guide

**HL-L5210DN**  
**HL-L5210DW**  
**HL-L6210DW**  
**HL-L6410DN**  
**HL-L6415DW**

## Table of Contents

<b>Before You Use Your Machine</b> .....	<b>1</b>
Definitions of Notes .....	2
Trademarks .....	3
Open Source Licensing .....	4
Copyright and License .....	5
Important Notes.....	6
<b>Introduction to Your Machine</b> .....	<b>7</b>
Before Using Your Machine .....	8
Front View and Back View .....	9
Control Panel Overview .....	12
How to Navigate the Touchscreen LCD .....	17
How to Enter Text on Your Machine .....	18
Access Brother Utilities (Windows) .....	20
Uninstall the Software and Drivers (Windows) .....	22
Input/Output Port Locations on Your Machine .....	23
Improve Machine Ventilation .....	24
<b>Paper Handling</b> .....	<b>25</b>
Load Paper.....	26
Load and Print Using the Paper Tray .....	27
Load and Print Using the Multi-purpose Tray (MP Tray) .....	35
Paper Settings.....	43
Change the Paper Size and Paper Type.....	44
Change the Check Paper Setting .....	45
Change the Tray Size for 2-sided Printing .....	46
Unprintable Area .....	47
Using Special Paper.....	48
<b>Print</b> .....	<b>49</b>
Print from Your Computer (Windows).....	50
Print a Document (Windows).....	51
Print Settings (Windows) .....	53
Secure Print (Windows).....	58
Change the Default Print Settings (Windows) .....	60
Print a Document Using the BR-Script3 Printer Driver (PostScript® 3™ Language Emulation) (Windows) .....	62
Monitor the Status of the Machine from Your Computer (Windows) .....	63
Print from Your Computer (Mac) .....	64
Print Using AirPrint .....	65
Print an Email Attachment.....	66
Secure Print Using a USB Flash Drive.....	67
Print Duplicate Copies.....	69
Change Print Settings Using the Control Panel .....	71
Cancel a Print Job.....	72
Test Print .....	73
Universal Print.....	74
Universal Print Overview .....	75

Register Your Machine with Universal Print Using Web Based Management.....	76
Assign Universal Print Users via Microsoft Azure Portal.....	77
Add a Universal Print-enabled Printer to Your Computer.....	78
Print Using Universal Print.....	79
Deregister Your Machine from Universal Print.....	80
<b>Network.....</b>	<b>81</b>
Supported Basic Network Features.....	82
Configure Network Settings.....	83
Configure Network Details Using the Control Panel.....	84
Wireless Network Settings.....	85
Use the Wireless Network.....	86
Use Wi-Fi Direct®.....	103
Enable/Disable Wireless LAN.....	108
Print the WLAN Report.....	109
Network Features.....	113
Enable/Disable Web Based Management Using the Control Panel.....	114
Configure the Proxy Server Settings Using Web Based Management.....	115
Print the Network Configuration Report.....	116
Synchronise Time with the SNTP Server Using Web Based Management.....	117
Gigabit Ethernet (Wired Network Only).....	120
Reset the Network Settings to the Factory Settings.....	122
<b>Security.....</b>	<b>123</b>
Before Using Network Security Features.....	124
Disable Unnecessary Protocols.....	125
Configure Certificates for Device Security.....	126
Supported Security Certificate Features.....	127
Step by Step Guide for Creating and Installing a Certificate.....	128
Create a Self-signed Certificate.....	129
Create CSR and Install a Certificate from a Certificate Authority (CA).....	130
Import and Export the Certificate and Private Key.....	134
Import and Export a CA Certificate.....	137
Manage Multiple Certificates.....	140
Use SSL/TLS.....	141
Introduction to SSL/TLS.....	142
Manage Your Network Machine Securely Using SSL/TLS.....	145
Print Documents Securely Using SSL/TLS.....	149
Use SNMPv3.....	151
Manage Your Network Machine Securely Using SNMPv3.....	152
Use IPsec.....	153
Introduction to IPsec.....	154
Configure IPsec Using Web Based Management.....	155
Configure an IPsec Address Template Using Web Based Management.....	156
Configure an IPsec Template Using Web Based Management.....	158
Use IEEE 802.1x Authentication for a Wired or a Wireless Network.....	167
What Is IEEE 802.1x Authentication?.....	168
Configure IEEE 802.1x Authentication for a Wired or Wireless Network Using Web Based Management (Web Browser).....	169

IEEE 802.1x Authentication Methods.....	171
Use Active Directory Authentication.....	172
Introduction to Active Directory Authentication.....	173
Configure Active Directory Authentication Using Web Based Management.....	174
Log On to Change the Machine Settings Using the Machine's Control Panel (Active Directory Authentication).....	175
Use LDAP Authentication.....	176
Introduction to LDAP Authentication.....	177
Configure LDAP Authentication Using Web Based Management.....	178
Log On to Change the Machine Settings Using the Machine's Control Panel (LDAP Authentication).....	179
Use Secure Function Lock 3.0.....	180
Before Using Secure Function Lock 3.0.....	181
Configure Secure Function Lock 3.0 Using Web Based Management.....	182
Configure Public Mode for Secure Function Lock 3.0.....	183
Additional Secure Function Lock 3.0 Features.....	184
Register a new ID Card Using the Machine's Control Panel.....	185
Send an Email Securely.....	186
Configure Email Sending Using Web Based Management.....	187
Send an Email with User Authentication.....	188
Send an Email Securely Using SSL/TLS.....	189
Store Print Log to Network.....	190
Store Print Log to Network Overview.....	191
Configure the Store Print Log to Network Settings Using Web Based Management.....	192
Use the Store Print Log to Network's Error Detection Setting.....	194
Lock the Machine Settings from the Control Panel.....	195
Setting Lock Overview.....	196
Use Global Network Detection Features.....	200
Enable Global IP Address Detection.....	201
Block Communications from the Global Network.....	202
<b>Administrator.....</b>	<b>203</b>
Network Features.....	204
Security Features.....	205
Network Security.....	206
User Authentication.....	208
Brother Management Tools.....	209
<b>Mobile/Web Connect.....</b>	<b>210</b>
Brother Web Connect.....	211
Brother Web Connect Overview.....	212
Online Services Used with Brother Web Connect.....	214
Set Up Brother Web Connect.....	216
Download and Print Documents Using Brother Web Connect.....	224
AirPrint.....	226
AirPrint Overview.....	227
Before Using AirPrint (macOS).....	228
Print Using AirPrint.....	229
Mopria™ Print Service.....	232

Brother Mobile Connect .....	233
Register an External IC Card Reader .....	234
<b>Brother iPrint&amp;Scan .....</b>	<b>235</b>
Access Brother iPrint&Scan (Windows/Mac) .....	236
<b>Troubleshooting .....</b>	<b>237</b>
Error and Maintenance Messages .....	238
Error Messages When Using the Brother Web Connect Feature .....	247
Paper Jams .....	249
Clear Paper Jams .....	250
Paper is Jammed in the MP tray .....	251
Paper is Jammed in the Paper Tray .....	252
Paper is Jammed in the Back of the Machine .....	254
Paper is Jammed inside the Machine .....	256
Paper is Jammed in the 2-sided Tray .....	258
Paper is Jammed in the Mailbox Unit .....	261
Printing Problems .....	263
Improve the Print Quality .....	266
Network Problems .....	271
Error Messages .....	272
Use the Network Connection Repair Tool (Windows) .....	275
Check Your Machine's Network Settings .....	276
If You Are Having Difficulty with Your Machine's Network .....	277
AirPrint Problems .....	284
Other Problems .....	285
Check the Machine Information .....	287
Reset Functions .....	288
Machine Reset .....	289
Network Reset .....	290
Factory Reset .....	291
<b>Routine Maintenance .....</b>	<b>292</b>
Replace Supplies .....	293
Replace the Toner Cartridge .....	295
Replace the Drum Unit .....	298
Clean the Machine .....	300
Clean the Touchscreen LCD .....	302
Clean the Corona Wire .....	303
Clean the Drum Unit .....	305
Clean the Paper Pick-up Rollers .....	311
Check the Remaining Part Life .....	313
Pack the Machine and the Toner Cartridge Together .....	314
Replace Periodic Maintenance Parts .....	316
<b>Machine Settings .....</b>	<b>317</b>
Change Machine Settings from the Control Panel .....	318
General Settings .....	319
Settings and Features Tables .....	330
Change Machine Settings Using Web Based Management .....	353
What is Web Based Management? .....	354

Access Web Based Management ..... 355  
Set or Change a Login Password for Web Based Management ..... 357

**Appendix ..... 358**








Specifications ..... 359  
Supplies ..... 366  
Accessories ..... 369  
    The Mailbox Unit ..... 370  
Brother Help and Customer Support ..... 376

## Before You Use Your Machine

- [Definitions of Notes](#)
- [Trademarks](#)
- [Open Source Licensing](#)
- [Copyright and License](#)
- [Important Notes](#)

## Definitions of Notes

We use the following symbols and conventions throughout this User's Guide:

 <b>WARNING</b>	WARNING indicates a potentially hazardous situation which, if not avoided, could result in death or serious injuries.
 <b>CAUTION</b>	CAUTION indicates a potentially hazardous situation which, if not avoided, may result in minor or moderate injuries.
<b>IMPORTANT</b>	IMPORTANT indicates a potentially hazardous situation which, if not avoided, may result in damage to property or loss of product functionality.
<b>NOTE</b>	NOTE specifies the operating environment, conditions for installation, or special conditions of use.
	Tips icons indicate helpful hints and supplementary information.
	Electrical Hazard icons alert you to possible electrical shock.
	Fire Hazard icons alert you to the possibility of a fire.
	Hot Surface icons warn you not to touch hot machine parts.
	Prohibition icons indicate actions you must not perform.
<b>Bold</b>	Bold style identifies buttons on the machine's control panel or computer screen.
<i>Italics</i>	Italicised style emphasises an important point or refers you to a related topic.
Courier New	Courier New font identifies messages shown on the machine's LCD.

### Related Information

- [Before You Use Your Machine](#)



## Trademarks

Apple, App Store, AirPrint, Mac, macOS, iPadOS, iPad, iPhone, iPod touch, and Safari are trademarks of Apple Inc., registered in the U.S. and other countries.

Adobe®, Reader®, PostScript and PostScript 3 are either registered trademarks or trademarks of Adobe Systems Incorporated in the United States and/or other countries.

Wi-Fi®, Wi-Fi Alliance®, and Wi-Fi Direct® are registered trademarks of Wi-Fi Alliance®.

WPA™, WPA2™, WPA3™, Wi-Fi CERTIFIED, Wi-Fi Protected Setup™, and Wi-Fi Protected Setup logo are trademarks of Wi-Fi Alliance®.

Android, Google Drive, Google Chrome, and Google Play are trademarks of Google LLC. Use of these trademarks is subject to Google Permissions.

Mopria™ and the Mopria™ Logo are registered and/or unregistered trademarks and service marks of Mopria Alliance, Inc. in the United States and other countries. Unauthorised use is strictly prohibited.

EVERNOTE is a trademark of Evernote Corporation and used under a license.

The Bluetooth® word mark is a registered trademark owned by Bluetooth SIG, Inc. and any use of such marks by Brother Industries, Ltd. is under license. Other trademarks and trade names are those of their respective owners.

Each company whose software title is mentioned in this manual has a Software Licence Agreement specific to its proprietary programs.

### Software Trademarks

FlashFX® is a registered trademark of Datalight, Inc.

FlashFX® Pro™ is a trademark of Datalight, Inc.

FlashFX® Tera™ is a trademark of Datalight, Inc.

Reliance™ is a trademark of Datalight, Inc.

Reliance Nitro™ is a trademark of Datalight, Inc.

Datalight® is a registered trademark of Datalight, Inc.

**Any trade names and product names of companies appearing on Brother products, related documents and any other materials are all trademarks or registered trademarks of those respective companies.**



### Related Information

- [Before You Use Your Machine](#)

## Open Source Licensing

This product includes open source software.

To view Open Source Licensing Remarks and Copyright Information, go to your model's **Manuals** page at [support.brother.com/manuals](http://support.brother.com/manuals).



### Related Information

- [Before You Use Your Machine](#)
-

## Copyright and License

©2023 Brother Industries, Ltd. All rights reserved.

This product includes software developed by the following vendors:

This product includes the "KASAGO TCP/IP" software developed by ZUKEN ELMIC, Inc.

Copyright 1989-2020 Datalight, Inc., All Rights Reserved.

FlashFX® Copyright 1998-2020 Datalight, Inc.



### Related Information

- [Before You Use Your Machine](#)

## Important Notes

- Check [support.brother.com/downloads](https://support.brother.com/downloads) for Brother driver and software updates.
- To keep your machine performance up to date, check [support.brother.com/downloads](https://support.brother.com/downloads) for the latest firmware upgrade. Otherwise, some of your machine's functions may not be available.
- Do not use this product outside the country of purchase as it may violate the wireless telecommunication and power regulations of that country.
- Not all models are available in all countries.
- Before giving your machine to anyone else, replacing it, or disposing of it, we strongly recommend resetting it to its factory settings to remove all personal information.
- Windows 10 in this document represents Windows 10 Home, Windows 10 Pro, Windows 10 Education, and Windows 10 Enterprise.
- Windows 11 in this document represents Windows 11 Home, Windows 11 Pro, Windows 11 Education, and Windows 11 Enterprise.
- For macOS v13 Users:  
This machine supports macOS v13.  
For machine setup and software installation instructions, see the *Quick Setup Guide* included in the carton.  
All features in macOS v11 and macOS v12 are available in the macOS v13 environment and work in a similar way.
- In this User's Guide, the LCD messages of the HL-L6415DW are used unless otherwise specified.
- In this User's Guide, the illustrations of the HL-L6415DW are used unless otherwise specified.
- The screens or images in this User's Guide are for illustration purposes only and may differ from those of the actual products.
- Unless otherwise specified, the screens in this manual are from Windows 10. Screens on your computer may vary depending on your operating system.
- The contents of this document and the specifications of this product are subject to change without notice.
- Not all features are available in countries subject to applicable export restrictions.



### Related Information

- [Before You Use Your Machine](#)

## Introduction to Your Machine

- [Before Using Your Machine](#)
- [Front View and Back View](#)
- [Control Panel Overview](#)
- [How to Navigate the Touchscreen LCD](#)
- [How to Enter Text on Your Machine](#)
- [Access Brother Utilities \(Windows\)](#)
- [Input/Output Port Locations on Your Machine](#)
- [Improve Machine Ventilation](#)

## Before Using Your Machine

Before attempting any printing operation, confirm the following:

- Make sure you have installed the correct software and drivers for your machine.
- For USB or network cable users: Make sure the interface cable is physically secure.

### Firewall (Windows)

If your computer is protected by a firewall and you are unable to network print, you may need to configure the firewall settings. If you are using the Windows Firewall and you installed the drivers using the steps in the installer, the necessary firewall settings have been already set. If you are using any other personal firewall software, see the User's Guide for your software or contact the software manufacturer.



### Related Information

- [Introduction to Your Machine](#)
-

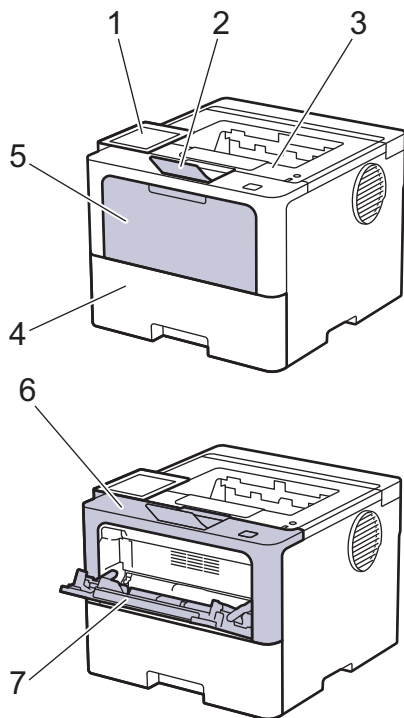
## Front View and Back View

>> HL-L5210DN/HL-L5210DW/HL-L6210DW

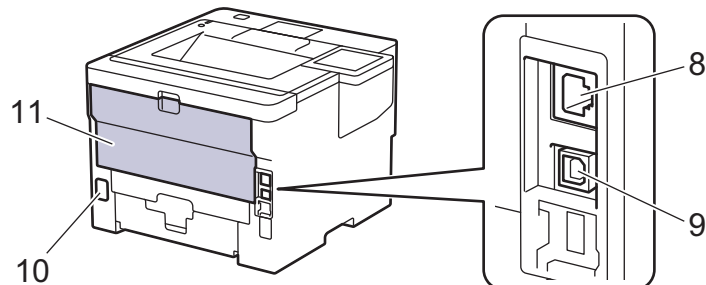
>> HL-L6410DN/HL-L6415DW

### HL-L5210DN/HL-L5210DW/HL-L6210DW

#### Front View



#### Back View



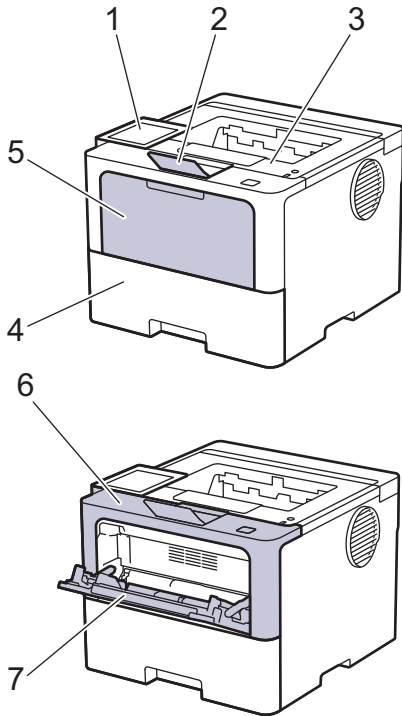
1. Control panel with a Liquid Crystal Display (LCD)
2. Face-down output tray support flap
3. Face-down output tray
4. Paper tray
5. Multi-purpose tray (MP tray) cover
6. Front cover
7. Multi-purpose tray (MP tray)
8. (For wired network models)  
10BASE-T / 100BASE-TX / 1000BASE-T port
9. USB port
10. AC power connector
11. Back cover (Face-up output tray)



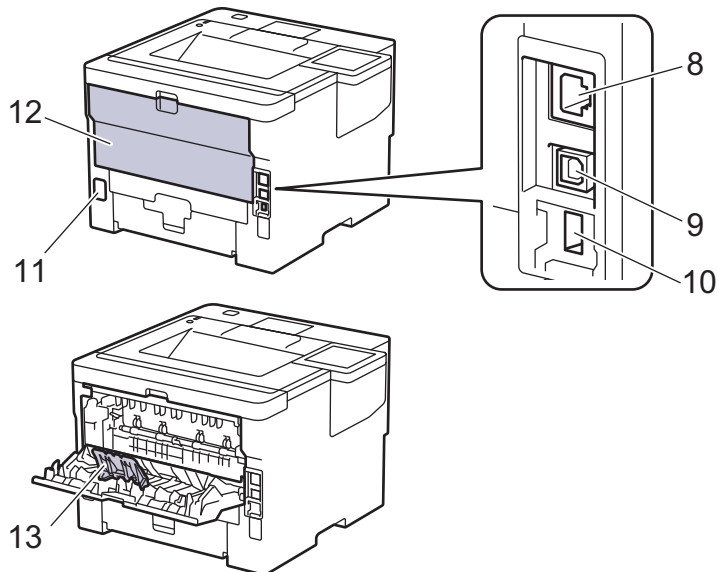
The machine is equipped with a non-detachable AC power cord depending on the model.

## HL-L6410DN/HL-L6415DW

### Front View



### Back View



1. Touch panel with touchscreen LCD
2. Face-down output tray support flap
3. Face-down output tray
4. Paper tray
5. Multi-purpose tray (MP tray) cover
6. Front cover
7. Multi-purpose tray (MP tray)
8. 10BASE-T / 100BASE-TX / 1000BASE-T port
9. USB port
10. USB accessory port (Rear) (HL-L6410DN/HL-L6415DW)
11. AC power connector
12. Back cover (Face-up output tray)
13. Paper support flap





## Related Information

- [Introduction to Your Machine](#)
-

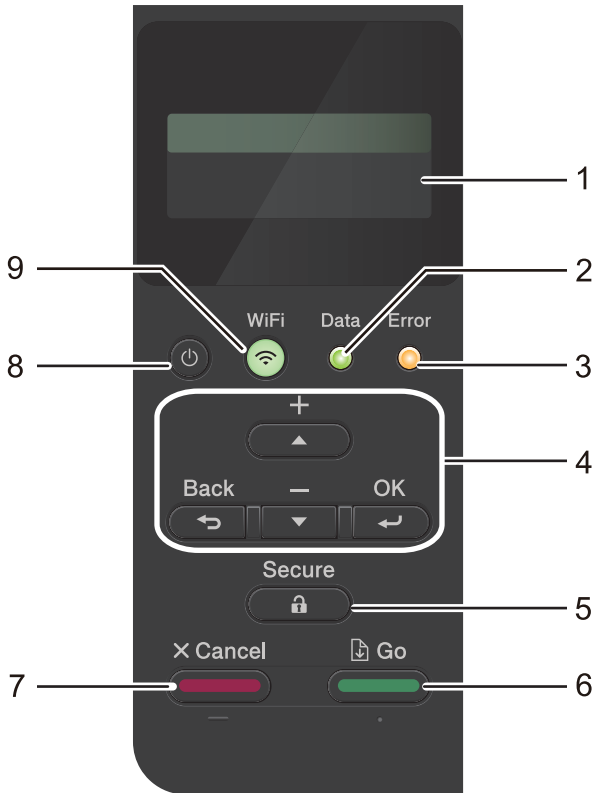
## Control Panel Overview

The control panel may vary depending on your model.

>> [HL-L5210DN/HL-L5210DW/HL-L6210DW](#)

>> [HL-L6410DN/HL-L6415DW](#)

### HL-L5210DN/HL-L5210DW/HL-L6210DW



#### 1. Liquid Crystal Display (LCD)

Displays messages to help you set up and use the machine.

Wireless Network Models

A four-level indicator shows the wireless signal strength if you are using a wireless connection.



#### 2. Data LED

The **Data** LED blinks depending on the machine's status.

When the **Data** LED is on, data is in the machine's memory. When the **Data** LED blinks, the machine is receiving or processing data.

#### 3. Error LED

The **Error** LED blinks when the LCD displays an error or an important status message.

#### 4. Menu Buttons

##### OK

Press to store your machine's settings. After you change a setting, the machine returns to the previous menu level.

##### Back

- Press to go back one level in the menu.
- Press to select the previous digit when entering numbers.

- Press to select the previous digit when entering letters or numbers.

#### ▲ or ▼ (+ or -)

- Press to scroll through menus and options.
- Press to enter a number or to increase or decrease the number. Hold down ▲ or ▼ to scroll faster. When you see the number you want, press **OK**.

#### 5. **Secure**

Press to print any jobs saved in the machine's memory. You may need to enter your four-digit password.



#### 6. **Go**

- Press to clear certain error messages. To clear any other error messages, follow the LCD instructions.
- Press to print any data remaining in the machine's memory.
- Press to select the displayed option. After you select an option, the machine returns to Ready Mode.

#### 7. **Cancel**

- Press to cancel the current setting.
- Press to cancel a programmed print job and clear it from the machine's memory. To cancel multiple print jobs, press and hold **Cancel** until the LCD displays [Cancel All Jobs].

#### 8. **Power On/Off**

- Turn the machine on by pressing .
- Turn the machine off by pressing and holding down .

#### 9. **WiFi button** or **Network button (depending on your model)**

- Wired Network Models:

##### **Network**

Press the **Network** button to configure wired network settings.

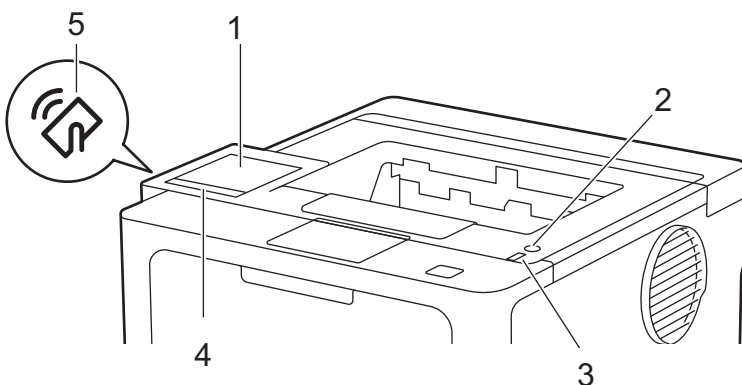
- Wireless Network Models:

##### **WiFi**

Launch the wireless installer on your computer and press the **WiFi** button. Follow the on-screen instructions to configure a wireless connection between your machine and your network.

When the **WiFi** light is on, your machine is connected to a wireless access point. When the **WiFi** light blinks, it means that the wireless connection was interrupted, or your machine is in the process of connecting to a wireless access point.

## HL-L6410DN/HL-L6415DW

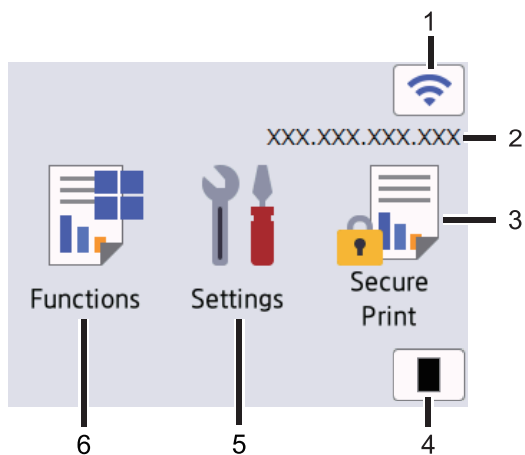


#### 1. **Touchscreen Liquid Crystal Display (LCD)**

Access menus and options by pressing them on the touchscreen.

From the Home screen, you can access the WiFi setup <sup>1</sup>, Toner Level, Settings, Functions, and Secure Print screens.

The Home screen displays the machine's status when the machine is idle.




1.  **(Wireless Status)** <sup>1</sup>

Press to configure the wireless settings.

For certain models, the Home screen displays the wireless status when the optional Wireless Module is installed.

If you are using a wireless connection, a four-level indicator on the Home screen displays the current wireless signal strength.



If you see  displayed as the wireless status, press it to select a wireless connection method or configure an existing wireless connection.

2. **IP Address**

If the IP Address setting in the Screen Settings menu is turned on, your machine's IP address appears on the Home screen.

3.  **[Secure Print]**

Press to access the Secure Print option.


4.  **[Toner]**


Displays the remaining toner life. Press to access the [Toner] menu.

5.  **[Settings]**

Press to access the [Settings] menu.

Use the Settings menu to access all of your machine's settings.

If the Setting Lock is set to On, a lock icon  appears on the LCD. You must unlock the machine to change any settings.

6.  **[Functions]**

Press to access the Functions screen.

 **[Web]**

Press to connect your machine to an Internet service.

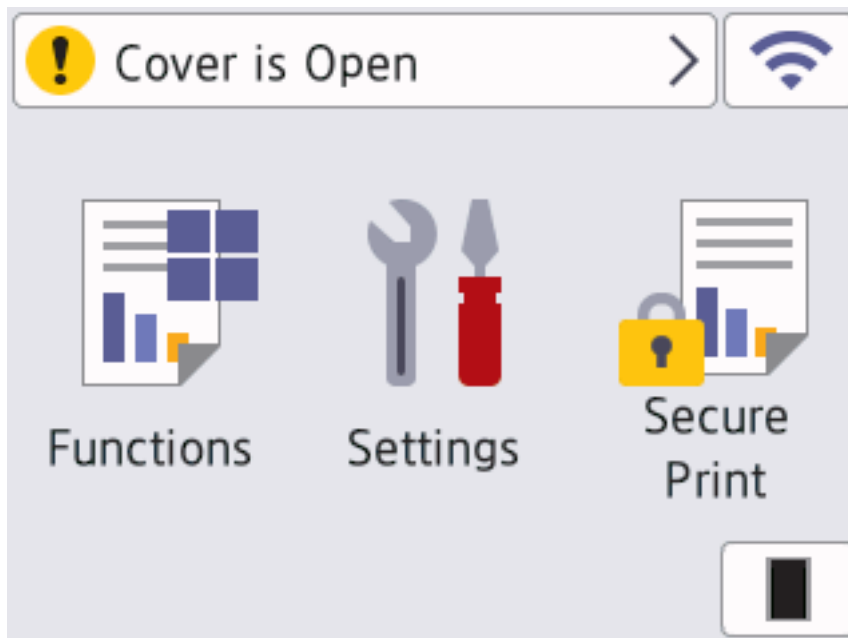
<sup>1</sup> For certain models, the wireless network connection can be used only when the optional Wireless Module is installed.




## Functions





Web

### (Warning) icon



The warning icon  appears when there is an error or maintenance message. Press  to view it, address the issue, and then press  to return to Ready Mode.

### 2. Power On/Off

- Turn the machine on by pressing .
- Turn the machine off by pressing and holding down .

### 3. LED Power Indicator

The LED lights up depending on the machine's power status.

### 4. Touchpanel

#### (Back)

Press to go back to the previous menu.

---

 **(Home)**

Press to return to the Home screen.

 **(Cancel)**

Press to cancel an operation or to cancel a programmed print job and clear it from the machine's memory.

**5. Near Field Communication (NFC)**

Use card authentication, if applicable, by touching your Integrated Circuit Card (IC Card) to the NFC symbol on the machine.

 **Related Information**

- [Introduction to Your Machine](#)
-

## How to Navigate the Touchscreen LCD

**Related Models:** HL-L6410DN/HL-L6415DW

Press your finger on the LCD to operate it. To display and access all the options, swipe left, right or press ▲ or ▼ on the LCD to scroll through them.

### IMPORTANT

DO NOT press the LCD with a sharp object such as a pen or stylus. It may damage the machine.

### NOTE

DO NOT touch the LCD immediately after plugging in the power cord or turning on the machine. Doing this may cause an error.



This product uses fonts owned by ARPHIC TECHNOLOGY CO., LTD.



### Related Information

- [Introduction to Your Machine](#)

## How to Enter Text on Your Machine

>> [HL-L5210DN/HL-L5210DW/HL-L6210DW](#)  
>> [HL-L6410DN/HL-L6415DW](#)

### HL-L5210DN/HL-L5210DW/HL-L6210DW

When text is required, enter characters on the machine. The characters that are available may differ depending on the operation you perform.

- Hold down or repeatedly press ▲ or ▼ to select a character from this list:  
0123456789abcdefghijklmnopqrstuvwxyzABCDEFGHIJKLMNOPQRSTUVWXYZ(space)!"#\$%&'()\*+,-./:;<=>?  
@[^\_`{|}~
- Press **OK** when the character or symbol you want is displayed, and then enter the next character.
- Press **Back** to delete characters entered incorrectly.

### HL-L6410DN/HL-L6415DW

- When you must enter text on your machine, a keyboard appears on the LCD.
- The characters that are available may differ depending on your country.
- The keyboard layout may differ depending on the operation you perform.



- Press **A 1 @** to cycle between letters, numbers, and special characters.
- Press **⇧aA** to cycle between lowercase and uppercase letters.
- To move the cursor to the left or right, press ◀ or ▶.

#### Inserting spaces

- To enter a space, press [Space].

#### Making corrections

- If you entered a character incorrectly and want to change it, press ◀ or ▶ to move the cursor to the incorrect character and press **✕**. Enter the correct character.
- To insert a character, press ◀ or ▶ to move the cursor to the correct place, and then enter the character.
- Press **✕** for each character you want to erase, or press and hold **✕** to erase all the characters.

### ✓ Related Information

- [Introduction to Your Machine](#)

#### Related Topics:

- [Configure Your Machine for a Wireless Network Using the Machine's Control Panel Setup Wizard](#)
- [Configure Your Machine for a Wireless Network When the SSID Is Not Broadcast](#)



- 
- [Set the Setting Lock Password](#)
  - [Register an Account on Your Brother Machine for Brother Web Connect](#)
  - [Download and Print Using Web Services](#)
-

## Access Brother Utilities (Windows)

**Brother Utilities** is an application launcher that offers convenient access to all Brother applications installed on your computer.

1. Do one of the following:


- (Windows 11)


Click  > **All apps** > **Brother** > **Brother Utilities**.

- (Windows 10, Windows Server 2016, Windows Server 2019, and Windows Server 2022)

Click  > **Brother** > **Brother Utilities**.

- (Windows Server 2012 R2)

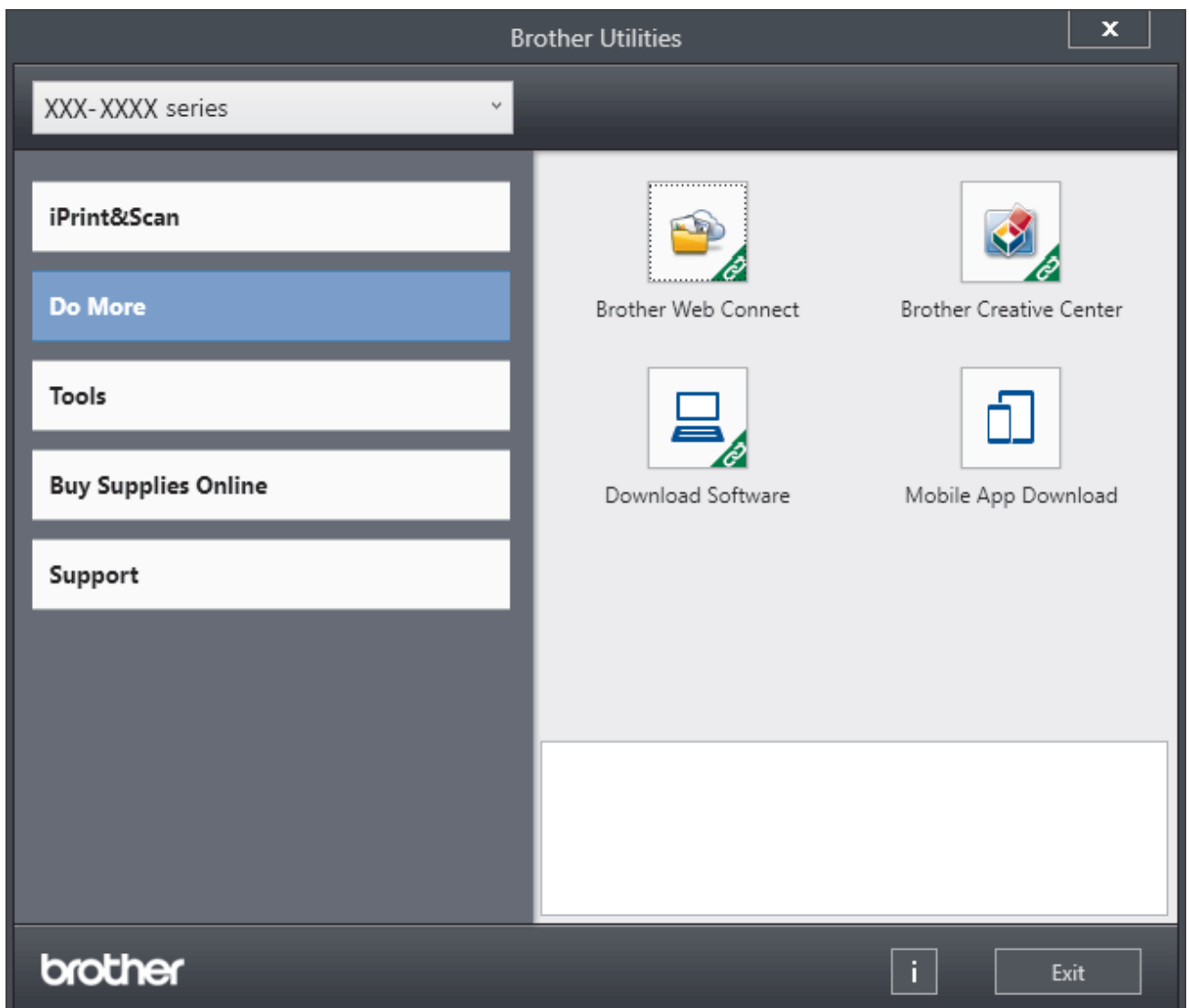
Move your mouse to the lower left corner of the **Start** screen and click  (if you are using a touch-based device, swipe up from the bottom of the **Start** screen to bring up the **Apps** screen).

When the **Apps** screen appears, tap or click  (**Brother Utilities**).

- (Windows Server 2012)

Tap or click  (**Brother Utilities**) either on the **Start** screen or the desktop.

2. Select your machine.



3. Choose the option you want.



## Related Information

- [Introduction to Your Machine](#)
  - [Uninstall the Software and Drivers \(Windows\)](#)
-


## Uninstall the Software and Drivers (Windows)

1. Do one of the following:


- Windows 11


Click  > **All apps** > **Brother** > **Brother Utilities**.

- Windows 10, Windows Server 2016, Windows Server 2019, and Windows Server 2022

Click  > **Brother** > **Brother Utilities**.

- Windows Server 2012 R2

Move your mouse to the lower left corner of the **Start** screen and click  (if you are using a touch-based device, swipe up from the bottom of the **Start** screen to bring up the **Apps** screen).

When the **Apps** screen appears, tap or click  (**Brother Utilities**).

- Windows Server 2012

Tap or click  (**Brother Utilities**) either on the **Start** screen or the desktop.

2. Select your model from the drop-down list (if it is not already selected).

3. Click **Tools** in the left navigation bar.

- If the **Software Update Notification** icon is visible, select it, and then click **Check now** > **Check for Software Updates** > **Update**. Follow the on-screen instructions.
- If the **Software Update Notification** icon is not visible, go to the next step.

4. Click **Uninstall** in the **Tools** section of **Brother Utilities**.

Follow the instructions in the dialog box to uninstall the software and drivers.

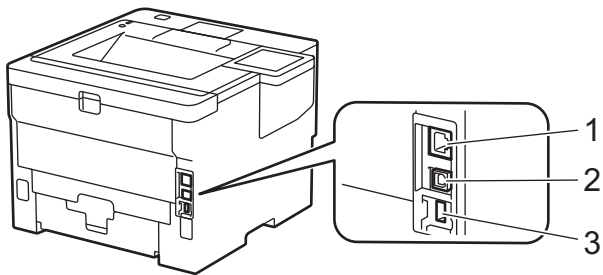


### Related Information

- [Access Brother Utilities \(Windows\)](#)

## Input/Output Port Locations on Your Machine

The input/output ports are located on the back and front of the machine.



1. 10BASE-T / 100BASE-TX / 1000BASE-T port (For network models)
2. USB port
3. USB accessory port (Rear)  
HL-L6410DN/HL-L6415DW

When connecting the USB or network cable, follow the instructions in the software/driver installer.

To install driver and software necessary for operating your machine, go to your model's **Downloads** page at [support.brother.com](http://support.brother.com).

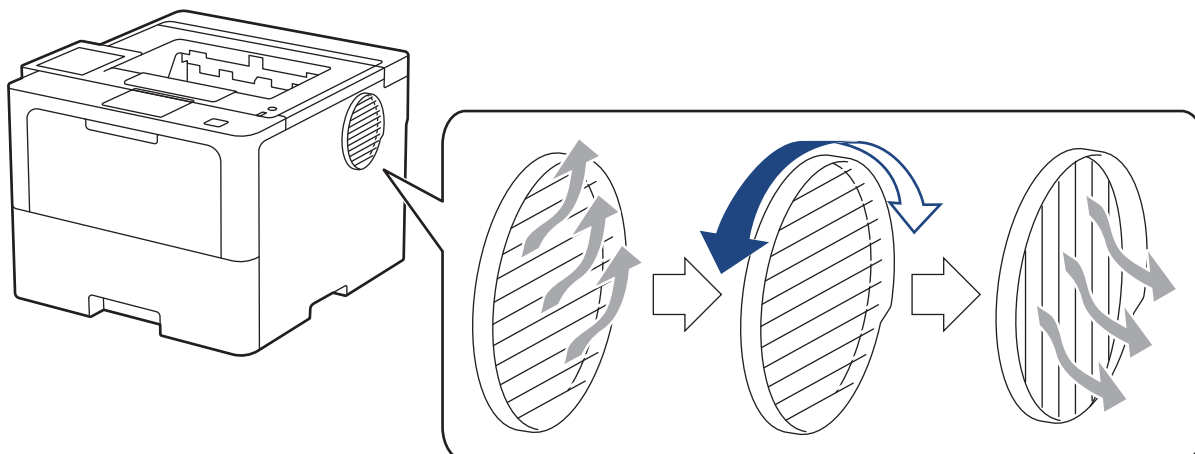


### Related Information

- [Introduction to Your Machine](#)

## Improve Machine Ventilation

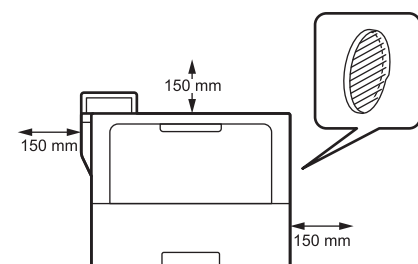
Rotate the main vent cover to redirect the flow of air from inside of the machine.



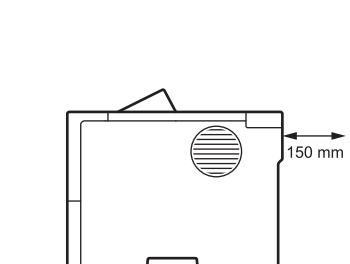
### CAUTION

- Be careful not to get burned when rotating the vent. It may get hot.
- Keep a minimum gap around the product as shown in the illustration.

Front



Side



### NOTE

DO NOT put the product in a location that blocks or obstructs any slot or opening in the product. These slots and openings are provided for ventilation.

### Related Information

- [Introduction to Your Machine](#)

## Paper Handling

- [Load Paper](#)
- [Paper Settings](#)
- [Change the Tray Size for 2-sided Printing](#)
- [Unprintable Area](#)
- [Using Special Paper](#)

## Load Paper

- [Load and Print Using the Paper Tray](#)
- [Load and Print Using the Multi-purpose Tray \(MP Tray\)](#)
- [Clear Paper Jams](#)



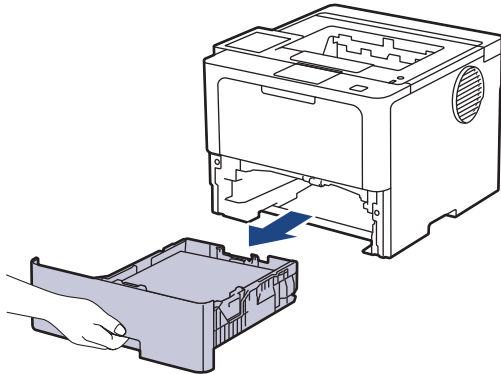
## Load and Print Using the Paper Tray

- [Load Paper in the Paper Tray](#)
- [Load and Print Thick Paper Using the Paper Tray](#)
- [Printing Problems](#)

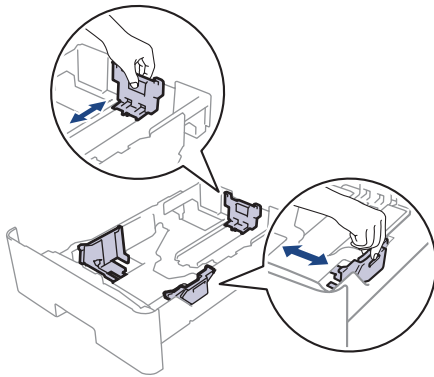
## Load Paper in the Paper Tray

- If the Check Paper setting is set to On and you pull the paper tray out of the machine, a message appears on the LCD asking if you want to change the paper size and paper type. Change the paper size and paper type settings if needed, following the LCD instructions.
- When you load a different size and type of paper in the tray, you must also change the Paper Size and Paper Type settings in the machine, or on your computer.

1. Pull the paper tray completely out of the machine.



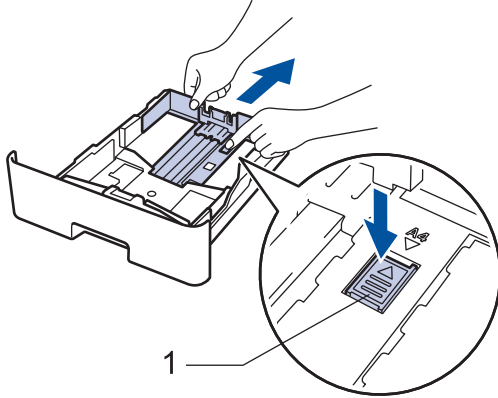
2. Press the green levers to slide the paper guides to fit the paper.



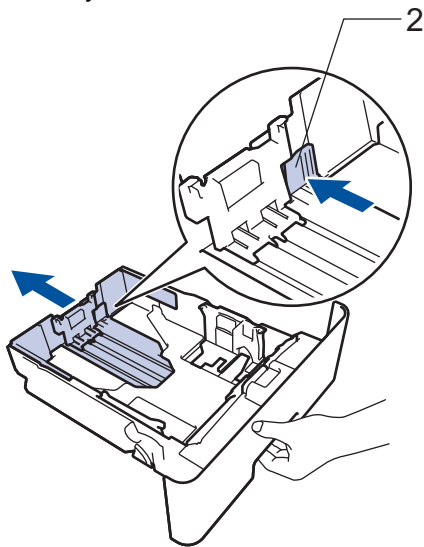


For Legal or Folio size paper, press the release button (1) in the bottom of the paper tray or the release lever (2) in the back of the tray, and then pull out the back of the paper tray. (Legal and Folio size paper are not available in some regions.)

For trays with a release button:



For trays with a release lever:

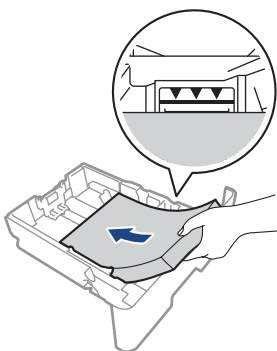


3. Fan the stack of paper well.
4. Load paper in the paper tray with the printing surface *face down*.



When you use letterhead or preprinted paper, load the paper in the correct orientation. See *Related Information: Change Machine Settings to Print on Letterhead or Preprinted Paper Using the Paper Tray*.

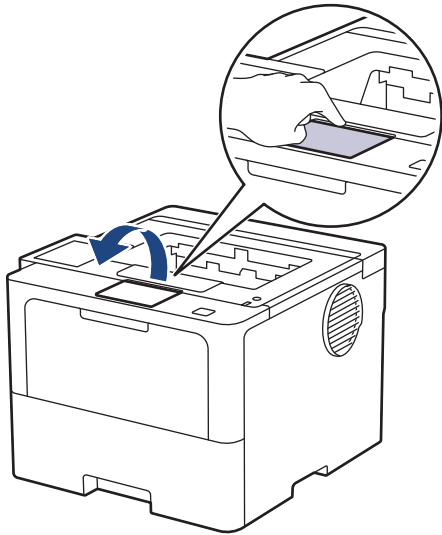
5. Make sure the paper is below the maximum paper mark (▼▼▼).  
Overfilling the paper tray will cause paper jams.



6. Slowly push the paper tray completely into the machine.

---

7. Lift the support flap to prevent paper from sliding off the output tray.



### Related Information

- [Load and Print Using the Paper Tray](#)
  - [Change Machine Settings to Print on Letterhead or Preprinted Paper Using the Paper Tray](#)
-

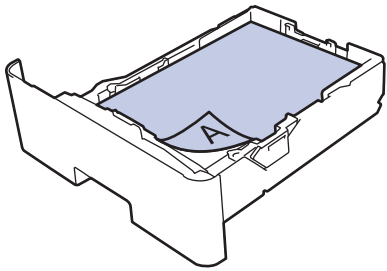
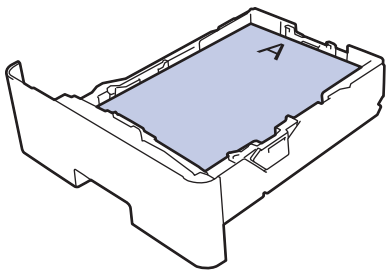
## Change Machine Settings to Print on Letterhead or Preprinted Paper Using the Paper Tray

When you use letterhead or preprinted paper for 2-sided printing, change the machine's settings.



- DO NOT load different sizes and types of paper in the paper tray at the same time. Doing this may cause the paper to jam or misfeed.
- If the print position is misaligned with the letterhead or preprinted objects, the print position is adjustable using the Print Position setting for the paper tray.
- Some preprinted paper may cause print stains, depending on the printing method and ink type.

### Orientation

	<p>For 1-sided printing</p> <ul style="list-style-type: none"><li>• face down</li><li>• top edge towards the front of the paper tray</li></ul>
	<p>For automatic 2-sided printing (long edge binding)</p> <ul style="list-style-type: none"><li>• face up</li><li>• bottom edge towards the front of the paper tray</li></ul>



>> [HL-L5210DN/HL-L5210DW/HL-L6210DW](#)

>> [HL-L6410DN/HL-L6415DW](#)

### HL-L5210DN/HL-L5210DW/HL-L6210DW

1. Press ▲ or ▼ to select the following:
  - a. Select [Printer]. Press **OK**.
  - b. Select [2-sided]. Press **OK**.
  - c. Select [Single Image]. Press **OK**.
2. Press ▲ or ▼ to select [2-sided Feed], and then press **Go**.

### HL-L6410DN/HL-L6415DW

1. Press  [Settings] > [All Settings] > [Printer] > [2-sided] > [Single Image] > [2-sided Feed].
2. Press .

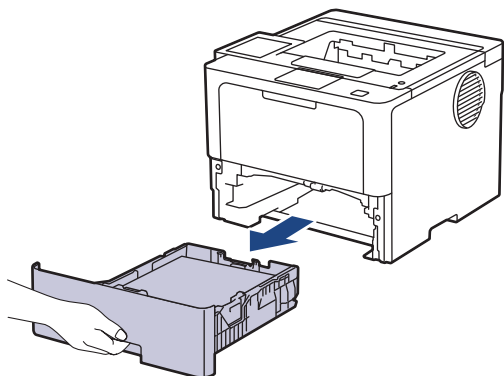
### Related Information

- [Load Paper in the Paper Tray](#)

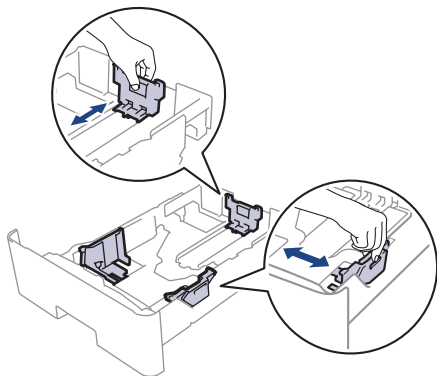
## Load and Print Thick Paper Using the Paper Tray

- If the Check Paper setting is set to On and you pull the paper tray out of the machine, a message appears on the LCD asking if you want to change the paper size and paper type. Change the paper size and paper type settings if needed, following the LCD instructions.
- When you load a different size and type of paper in the tray, you must also change the Paper Size and Paper Type settings in the machine, or on your computer.

1. Pull the paper tray completely out of the machine.



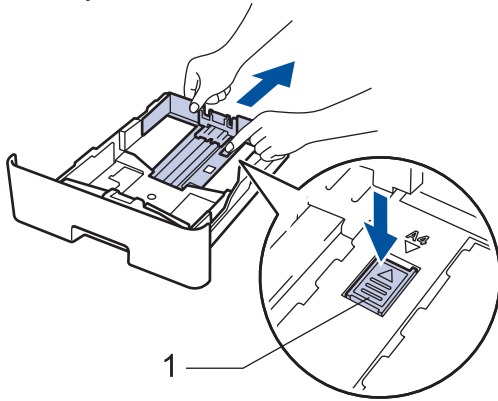
2. Press the green levers to slide the paper guides to fit the paper.



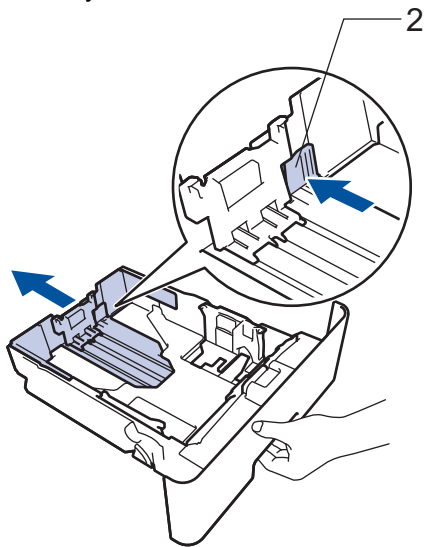


For Legal or Folio size paper, press the release button (1) in the bottom of the paper tray or the release lever (2) in the back of the tray, and then pull out the back of the paper tray. (Legal and Folio size paper are not available in some regions.)

For trays with a release button:



For trays with a release lever:

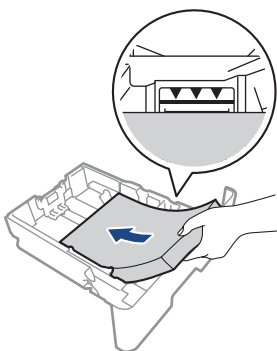


3. Fan the stack of paper well.
4. Load paper in the paper tray with the printing surface *face down*.



**DO NOT** load different sizes and types of paper in the paper tray at the same time. Doing this may cause the paper to jam or misfeed.

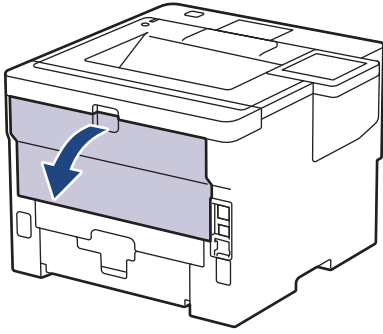
5. Make sure the paper is below the maximum paper mark (▼▼▼).  
Overfilling the paper tray will cause paper jams.



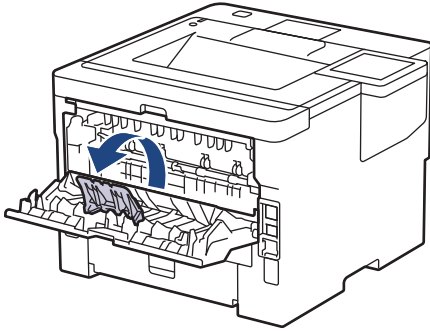
6. Slowly push the paper tray completely into the machine.

---

7. Open the machine's back cover (the face up output tray).



8. Open the paper stopper. (HL-L6410DN/HL-L6415DW)



9. Send your print job to the machine.



Change your print preferences in the Print dialog box.

10. Close the paper stopper. (HL-L6410DN/HL-L6415DW)

11. When finished, close the back cover (the face up output tray) until it locks in the closed position.



### Related Information

- [Load and Print Using the Paper Tray](#)
-



## Load and Print Using the Multi-purpose Tray (MP Tray)

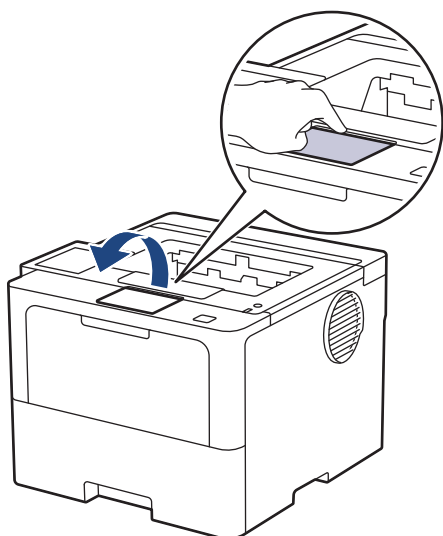
- [Load Paper in the Multi-purpose Tray \(MP Tray\)](#)
- [Load and Print Labels Using the MP Tray](#)
- [Load and Print Envelopes Using the MP Tray](#)
- [Printing Problems](#)

## Load Paper in the Multi-purpose Tray (MP Tray)

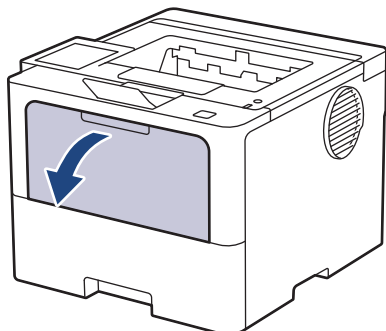
When you load a different size and type of paper in the tray, you must also change the Paper Size and Paper Type settings in the machine, or on your computer.

- Plain Paper
- Thin Paper
- Thick Paper
- Recycled Paper
- Bond Paper
- Letterhead
- Coloured Paper

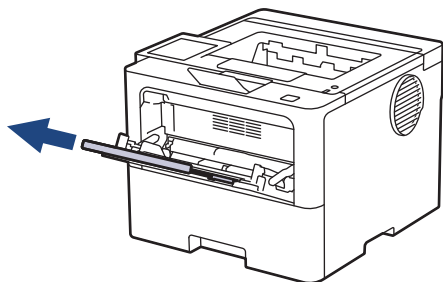
1. Lift the support flap to prevent paper from sliding off the face down output tray.



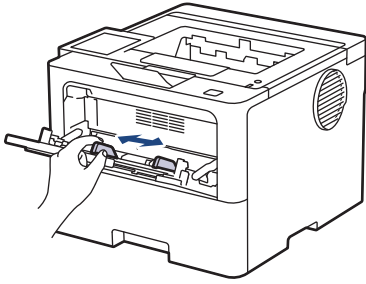
2. Open the MP tray and lower it gently.



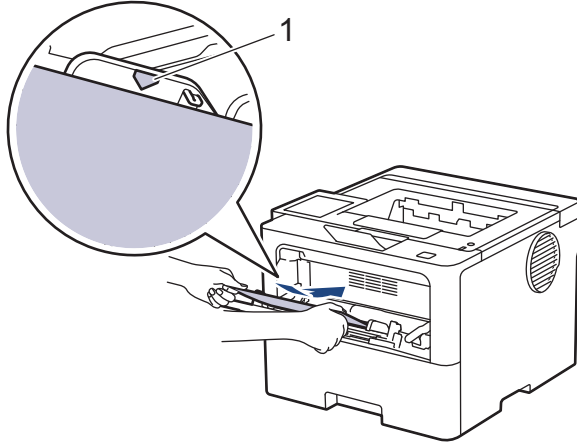
3. Pull out the MP tray support.



- 
4. Slide the MP tray paper guides to fit the width of the paper you are using.



5. Load paper with the printing surface *face up* in the MP tray.



- Make sure the paper is below the maximum paper mark (1).
- When you use letterhead or preprinted paper, load the paper in the correct orientation. See *Related Information: Change Machine Settings to Print on Letterhead or Preprinted Paper Using the MP Tray*.



### Related Information

- [Load and Print Using the Multi-purpose Tray \(MP Tray\)](#)
    - [Change Machine Settings to Print on Letterhead or Preprinted Paper Using the MP Tray](#)
-

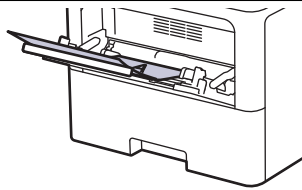
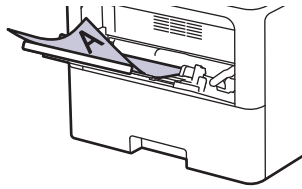
## Change Machine Settings to Print on Letterhead or Preprinted Paper Using the MP Tray

When you use letterhead or preprinted paper for 2-sided printing, change the machine's settings.



- DO NOT load different sizes and types of paper in the paper tray at the same time. Doing this may cause the paper to jam or misfeed.
- If the print position is misaligned with the letterhead or preprinted objects, the print position is adjustable using the Print Position setting for the MP tray.
- Some preprinted paper may cause print stains, depending on the printing method and ink type.

### Orientation

	For 1-sided printing <ul style="list-style-type: none"><li>• face up</li><li>• top edge first</li></ul>
	For automatic 2-sided printing (long edge binding) <ul style="list-style-type: none"><li>• face down</li><li>• bottom edge first</li></ul>



>> [HL-L5210DN/HL-L5210DW/HL-L6210DW](#)

>> [HL-L6410DN/HL-L6415DW](#)

### HL-L5210DN/HL-L5210DW/HL-L6210DW

1. Press ▲ or ▼ to select the following:
  - a. Select [Printer]. Press **OK**.
  - b. Select [2-sided]. Press **OK**.
  - c. Select [Single Image]. Press **OK**.
2. Press ▲ or ▼ to select [2-sided Feed], and then press **Go**.

### HL-L6410DN/HL-L6415DW

1. Press  [Settings] > [All Settings] > [Printer] > [2-sided] > [Single Image] > [2-sided Feed].
2. Press .



### Related Information

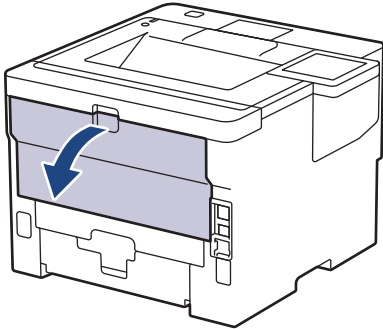
- [Load Paper in the Multi-purpose Tray \(MP Tray\)](#)

## Load and Print Labels Using the MP Tray

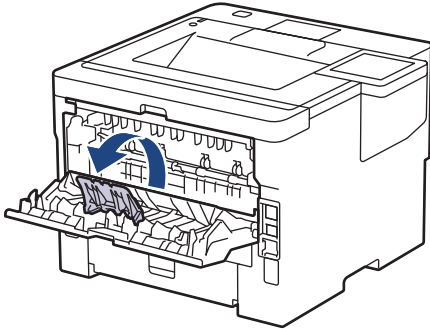
When you print on labels, open the back cover (face up output tray) and use the MP tray.

When you load a different size and type of paper in the tray, you must also change the Paper Size and Paper Type settings in the machine, or on your computer.

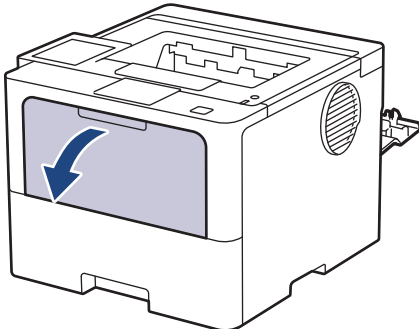
1. Open the machine's back cover (the face up output tray).



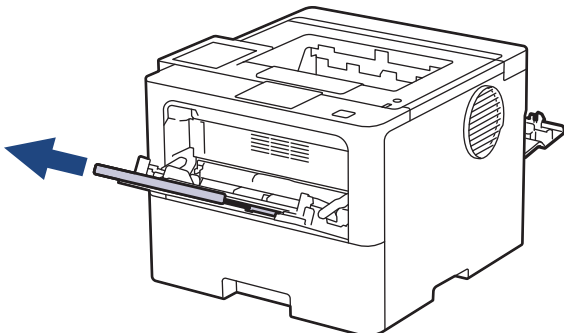
2. Open the paper stopper. (HL-L6410DN/HL-L6415DW)



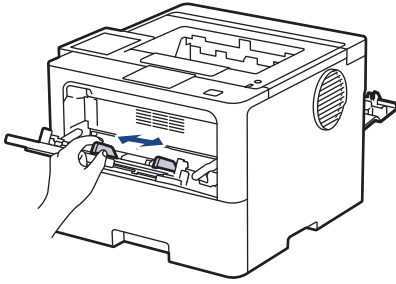
3. On the front of the machine, open the MP tray and lower it gently.



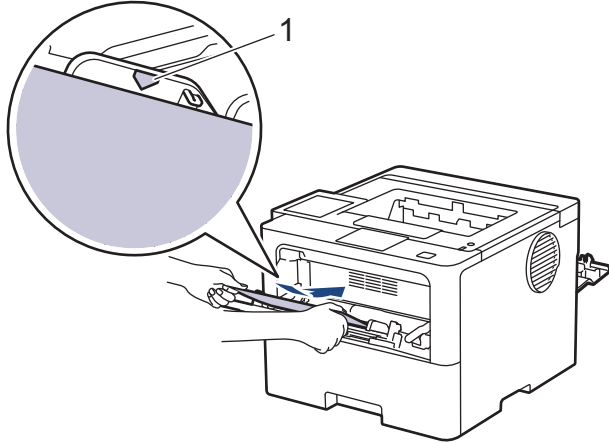
4. Pull out the MP tray support.



- 
- Slide the MP tray paper guides to fit the width of the labels you are using.



- Load labels with the printing surface *face up* in the MP tray.



Make sure the labels are below the maximum paper mark (1).

- Change your print preferences in the Print screen.
- Send your print job to the machine.
- Close the paper stopper. (HL-L6410DN/HL-L6415DW)
- When finished, close the back cover (the face up output tray) until it locks in the closed position.

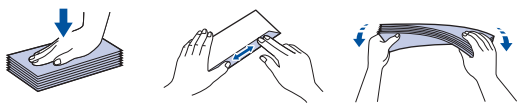


### Related Information

- [Load and Print Using the Multi-purpose Tray \(MP Tray\)](#)
-

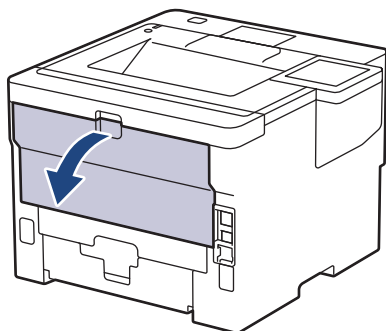
## Load and Print Envelopes Using the MP Tray

Before loading, press the corners and sides of the envelopes to make them as flat as possible.

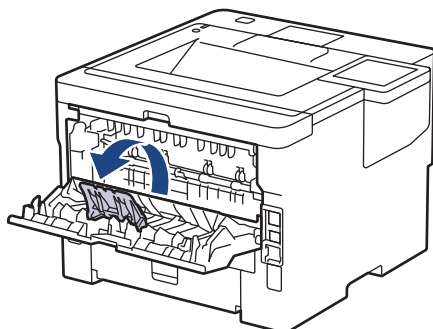


When you load a different size and type of paper in the tray, you must also change the Paper Size and Paper Type settings in the machine, or on your computer.

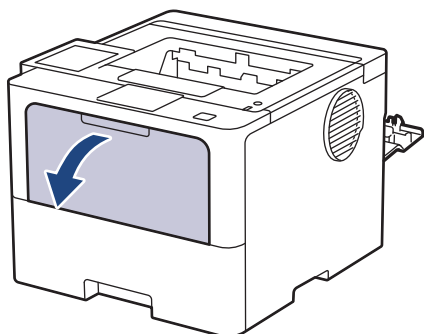
1. Open the machine's back cover (the face up output tray).



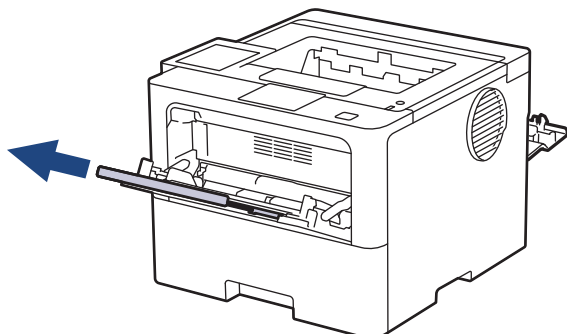
2. Open the paper stopper. (HL-L6410DN/HL-L6415DW)



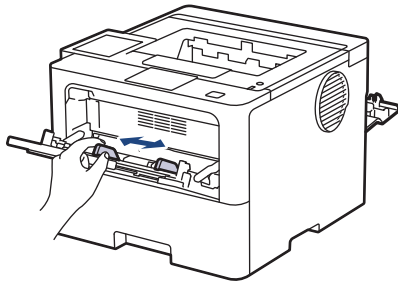
3. On the front of the machine, open the MP tray and lower it gently.



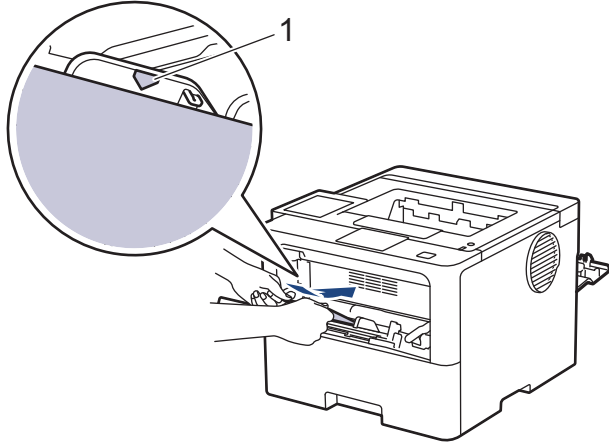
4. Pull out the MP tray support.




- 
5. Slide the MP tray paper guides to fit the width of the envelopes that you are using.



6. Load envelopes with the printing surface *face up* in the MP tray.



---

 Load the envelopes in the MP tray with the printing surface face up. Make sure the envelopes are below the maximum paper mark (1).


---

7. Change your print preferences in the Print dialog box.

Settings	Options for Envelopes
Paper Size	Com-10 DL C5 Monarch
Media Type	Envelopes Env. Thick Env. Thin

8. Send your print job to the machine.  
9. When finished, close the back cover (the face up output tray) until it locks in the closed position.

---

 (HL-L6410DN/HL-L6415DW)  
Close the paper stopper, and then close the back cover.

---

## Related Information

- [Load and Print Using the Multi-purpose Tray \(MP Tray\)](#)
-



## Paper Settings

- [Change the Paper Size and Paper Type](#)
- [Change the Check Paper Setting](#)
- [Clear Paper Jams](#)

## Change the Paper Size and Paper Type

When you change the size and type of the paper you load in the tray, you must also change the Paper Size and Paper Type settings on the LCD.




>> [HL-L5210DN/HL-L5210DW/HL-L6210DW](#)

>> [HL-L6410DN/HL-L6415DW](#)

### HL-L5210DN/HL-L5210DW/HL-L6210DW

1. Press ▲ or ▼ to select the following:
  - a. Select [General Setup]. Press **OK**.
  - b. Select [Tray Setting]. Press **OK**.
  - c. Select [Paper Type]. Press **OK**.
2. Press ▲ or ▼ to display the paper tray that you want to change, and then press **OK**.
3. Press ▲ or ▼ to display the paper type you want, and then press **OK**.
4. Press **Back**.
5. Press ▲ or ▼ to display the [Paper Size] option, and then press **OK**.
6. Press ▲ or ▼ to display the paper tray that you want to change, and then press **OK**.
7. Press ▲ or ▼ to display the paper type you want, and then press **OK**.
8. Press ▲ or ▼ to display the paper size you want, and then press **Go**.

### HL-L6410DN/HL-L6415DW

1. Press  [Settings] > [All Settings] > [General Setup] > [Tray Setting] > [Paper Type].
2. Press the paper tray options you want.
3. Press ▲ or ▼ to display the paper type options, and then press the option you want.
4. Press .
5. Press ▲ or ▼ to display the [Paper Size] option, and then press [Paper Size].
6. Press ▲ or ▼ to display the paper tray options, and then press the option you want.
7. Press ▲ or ▼ to display the paper size options, and then press the option you want.
8. Press .

### ✓ Related Information

- [Paper Settings](#)

## Change the Check Paper Setting

When you turn on your machine's Check Paper setting, the machine displays a message when you remove a paper tray or load paper using the MP tray, asking if you changed the paper size and paper type.

The default setting is On.



>> [HL-L5210DN/HL-L5210DW/HL-L6210DW](#)

>> [HL-L6410DN/HL-L6415DW](#)

### HL-L5210DN/HL-L5210DW/HL-L6210DW

1. Press ▲ or ▼ to select the following:
  - a. Select [General Setup]. Press **OK**.
  - b. Select [Tray Setting]. Press **OK**.
  - c. Select [Check Paper]. Press **OK**.
2. Press ▲ or ▼ to select the [On] or [Off] option, and then press **Go**.

### HL-L6410DN/HL-L6415DW

1. Press  [Settings] > [All Settings] > [General Setup] > [Tray Setting] > [Check Paper].
2. Press [On] or [Off].
3. Press .

### Related Information

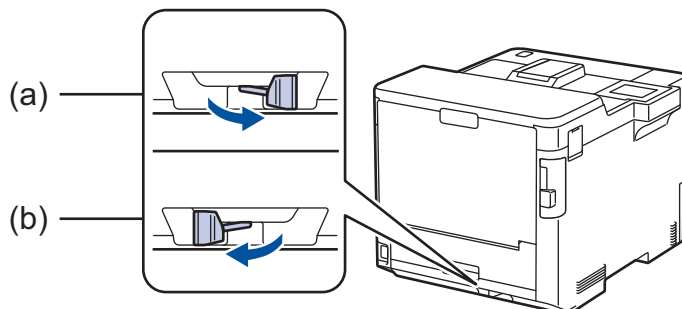
- [Paper Settings](#)

## Change the Tray Size for 2-sided Printing

When you print on both sides of the paper, you must set the 2-sided tray size to the paper size. If you do not set the 2-sided tray, the paper will not feed correctly, resulting in a skewed printout or a paper jam.

This feature is not available in some countries.

1. Slide the lever on the 2-sided tray to the correct paper size.



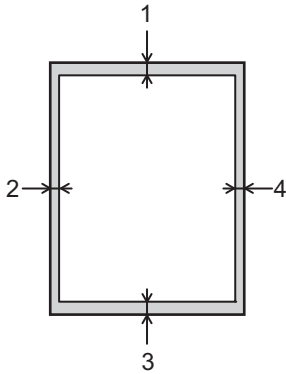
- a. A4 (for A4)
- b. Letter (for Letter, Legal, Mexico Legal, India Legal, and Folio)

### ✓ Related Information

- [Paper Handling](#)

## Unprintable Area

The measurements in the table below show maximum unprintable areas from the edges of the most commonly used paper sizes. The measurements may vary depending on the paper size or settings in the application you are using.



Do not attempt to print into these areas; your output will not reflect anything in these areas.

Usage	Document Size	Top (1) Bottom (3)	Left (2) Right (4)
Print	Letter	4.2 mm	4.2 mm
	A4	4.2 mm	4.2 mm
	Legal	4.2 mm	4.2 mm



### Related Information

- [Paper Handling](#)

## Using Special Paper

Always test paper samples before purchasing them to ensure desirable performance.

- DO NOT use inkjet paper; it may cause a paper jam or damage your machine.
- If you use bond paper, paper with a rough surface, or paper that is wrinkled or creased, the paper may exhibit degraded performance.

Store paper in its original packaging and keep it sealed. Keep the paper flat and away from moisture, direct sunlight, and heat.

### IMPORTANT

Some types of paper may not perform well or may cause damage to your machine.

DO NOT use paper:

- that is highly textured
- that is extremely smooth or shiny
- that is curled or warped
- that is coated or has a chemical finish
- that is damaged, creased, or folded
- that exceeds the recommended weight specification in this guide
- with tabs and staples
- with letterheads using low temperature dyes or thermography
- that is multipart or carbonless
- that is designed for inkjet printing

If you use any of the types of paper listed above, they may damage your machine. This damage is not covered under any Brother warranty or service agreement.



### Related Information

- [Paper Handling](#)

#### Related Topics:

- [Clear Paper Jams](#)

## Print

- [Print from Your Computer \(Windows\)](#)
- [Print from Your Computer \(Mac\)](#)
- [Print an Email Attachment](#)
- [Secure Print Using a USB Flash Drive](#)
- [Print Duplicate Copies](#)
- [Change Print Settings Using the Control Panel](#)
- [Cancel a Print Job](#)
- [Test Print](#)
- [Universal Print](#)

## Print from Your Computer (Windows)

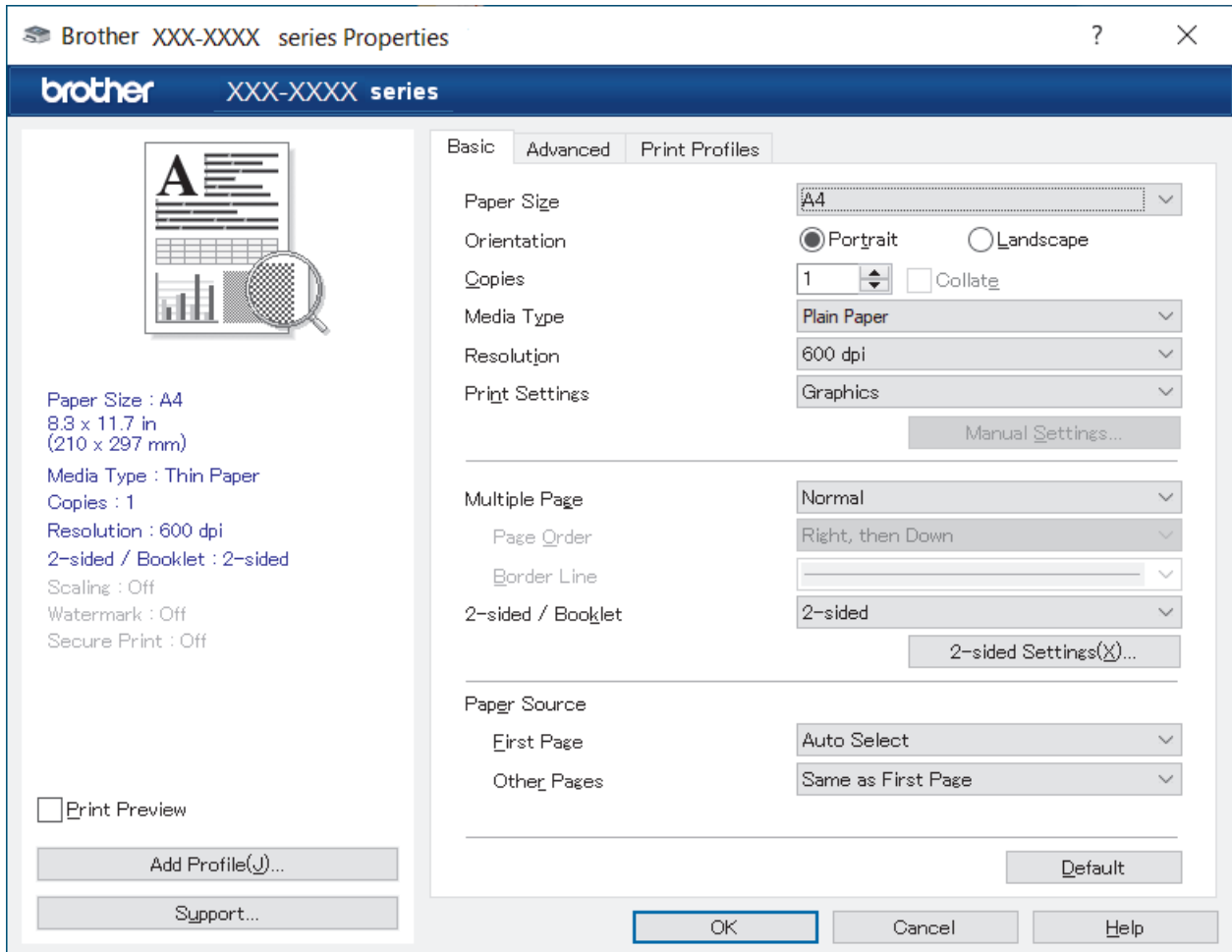
- [Print a Document \(Windows\)](#)
- [Print Settings \(Windows\)](#)
- [Secure Print \(Windows\)](#)
- [Change the Default Print Settings \(Windows\)](#)
- [Print a Document Using the BR-Script3 Printer Driver \(PostScript® 3™ Language Emulation\) \(Windows\)](#)
- [Monitor the Status of the Machine from Your Computer \(Windows\)](#)



## Print a Document (Windows)

1. Select the print command in your application.
2. Select your model's name, and then click the printer's properties or preferences button.

The printer driver window appears.



3. Make sure you have loaded the correct size paper in the paper tray.
4. Click the **Paper Size** drop-down list, and then select your paper size.
5. In the **Orientation** field, select the **Portrait** or **Landscape** option to set the orientation of your printout.



If your application contains a similar setting, we recommend that you set the orientation using the application.

6. Type the number of copies (1-999) you want in the **Copies** field.
7. Click the **Media Type** drop-down list, and then select the type of paper you are using.
8. To print multiple pages on a single sheet of paper or print one page of your document on multiple sheets, click the **Multiple Page** drop-down list, and then select your options.
9. Change other printer settings, if needed.
10. Click **OK**.
11. Complete your print operation.



### Related Information

- [Print from Your Computer \(Windows\)](#)

#### Related Topics:

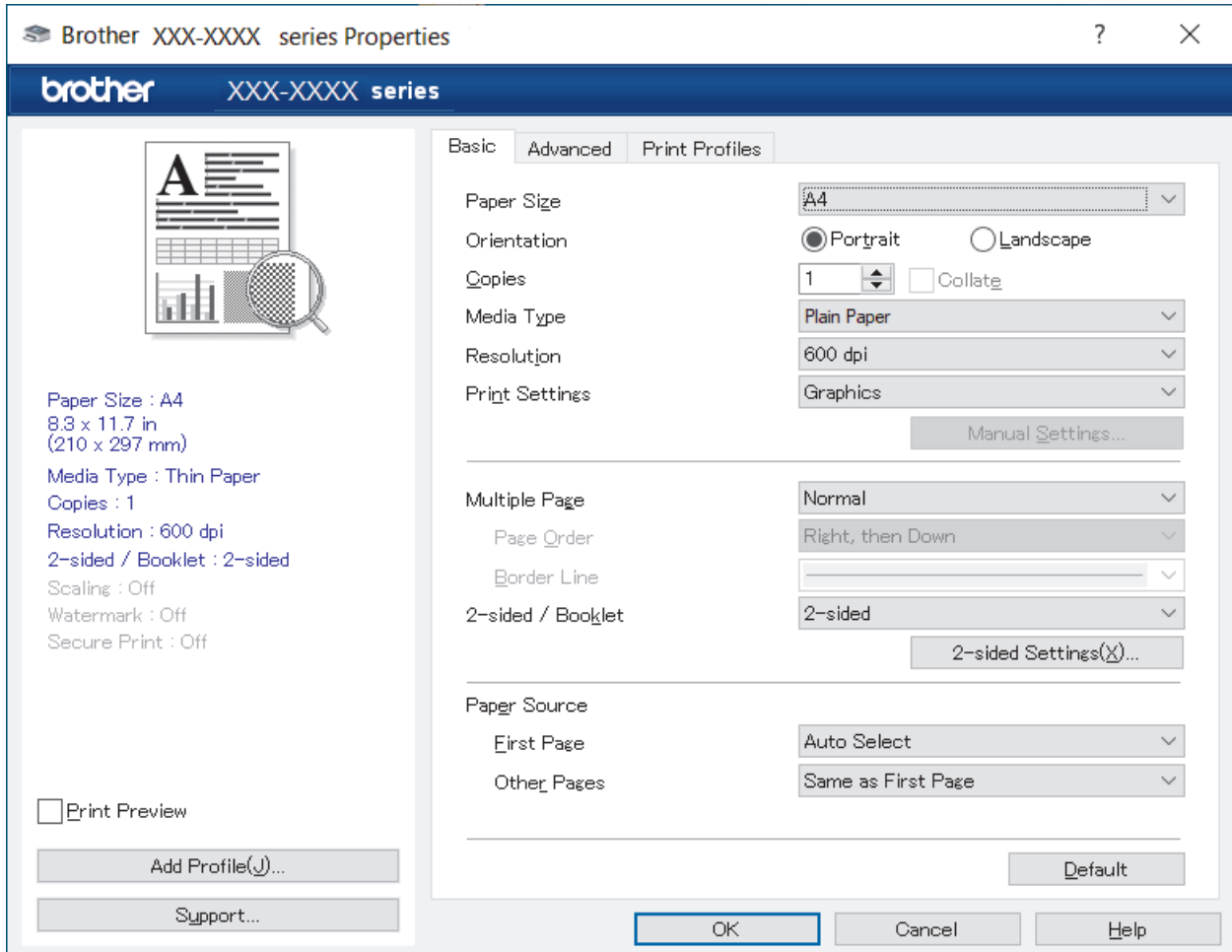
- [Clear Paper Jams](#)

- 
- Print Settings (Windows)
-

## Print Settings (Windows)

- >> Basic Tab
- >> Advanced Tab

### Basic Tab



#### 1. Paper Size

Select the paper size you want to use. You can either choose from standard paper sizes or create a custom paper size.

#### 2. Orientation

Select the orientation (portrait or landscape) of your printout.

If your application contains a similar setting, we recommend that you set the orientation using the application.

#### 3. Copies

Type the number of copies (1-999) that you want to print in this field.

#### Collate

Select this option to print sets of multi-page documents in the original page order. When this option is selected, one complete copy of your document will print, and then reprint according to the number of copies you choose. If this option is not selected, then each page will print according to the number of copies chosen before the next page of the document is printed.

#### 4. Media Type

Select the media type you want to use. To achieve the best print results, the machine automatically adjusts its print settings according to the selected media type.

---

## 5. Resolution

Select the print resolution. As print resolution and speed are related, the higher the resolution, the longer it will take to print the document.

## 6. Print Settings

Select the type of document you want to print.

### Manual Settings...

Specify advanced settings such as brightness, contrast, and other settings.

### Graphics

#### Use Printer Halftone

Select this option to use the printer driver to express halftones.

#### Brightness

Adjust the brightness.

#### Contrast

Adjust the contrast.

#### Graphics Quality

Select either Graphics or Text for the best print quality, based on the type of document you are printing.

#### Improve Grey Printing

Select this option to improve the image quality of shaded areas.

#### Improve Pattern Printing

Select this option to improve the pattern printing if printed fills and patterns are different from the fills and patterns you see on your computer screen.

#### Improve Thin Line

Select this option to improve the image quality of thin lines.

#### Use System Halftone

Select this option to use Windows to express halftones.

### TrueType Mode (available only for certain models)

#### Mode

Select how the fonts are processed for printing.

#### Use Printer TrueType Fonts

Select whether to use built-in fonts for the font processing.

## 7. Multiple Page

Select this option to print multiple pages on a single sheet of paper, or print one page of your document on multiple sheets.

### Page Order

Select the page order when printing multiple pages on a single sheet of paper.

### Border Line

Select the type of border to use when printing multiple pages on a single sheet of paper.

## 8. 2-sided / Booklet

Select this option to print on both sides of the paper, or print a document in booklet format using 2-sided printing.

### 2-sided Settings

Click this button to select the type of 2-sided binding. Four types of 2-sided bindings are available for each orientation.

## 9. Paper Source

Select the paper source setting according to your print conditions or purpose.

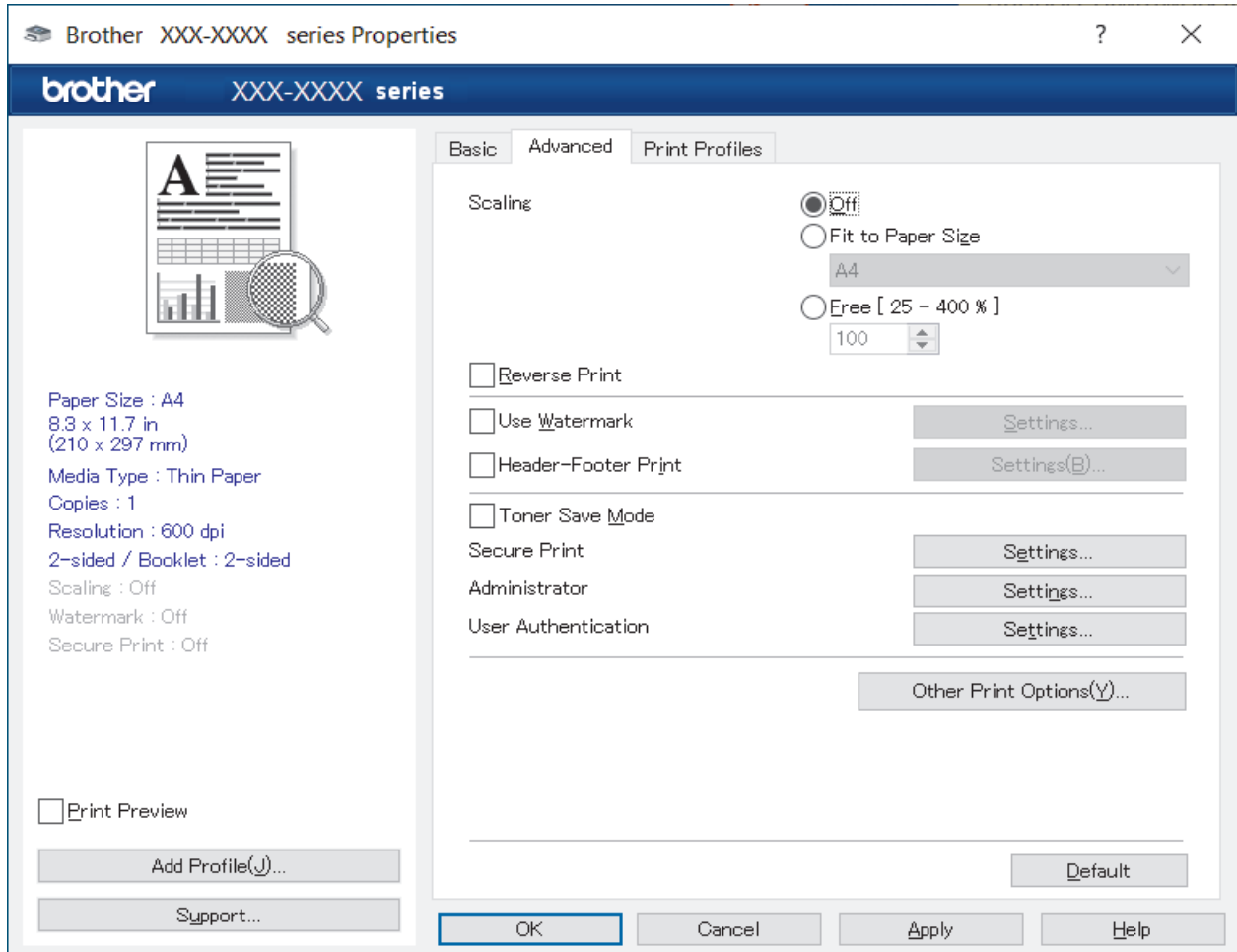
### First Page

Select the paper source to use for printing the first page.

### Other Pages

Select the paper source to use for printing the second and subsequent pages.

## Advanced Tab



### 1. Scaling

Select these options to enlarge or reduce the size of the pages in your document.

#### Fit to Paper Size

Select this option to enlarge or reduce the document pages to fit a specified paper size. When you select this option, select the paper size you want from the drop-down list.

#### Free [25 - 400%]

Select this option to enlarge or reduce the document pages manually. When you select this option, type a value into the field.

### 2. Reverse Print

Select this option to rotate the printed image 180 degrees.

### 3. Use Watermark

Select this option to print a logo or text on your document as a watermark. Select one of the preset watermarks, add a new watermark, or use an image file you have created.

### 4. Header-Footer Print

Select this option to print the date, time, and Login User Name on the document.

---

## 5. Toner Save Mode

Select this feature to conserve toner by using less toner to print documents; printouts appear lighter, but are still legible.

## 6. Secure Print (available only for certain models)

This feature ensures that confidential or sensitive documents do not print until you enter a password on the machine's control panel.

## 7. Administrator

This feature allows you to change the administrator password and restrict various printing functions.

## 8. User Authentication (available only for certain models)

This feature allows you to confirm the restrictions for each user.

## 9. Output Tray (available only for certain models)

Select the output tray for printed pages.

### MX Stacker

Ejects paper into the standard output tray. When the standard output tray becomes full the printer automatically selects the next available bin.

### MX Sorter

When you print multiple copies, each copy is ejected onto a different bin from 1 to 4.

### Use Std. Tray when full

Select this option to continue printing, even if the Mailbox bin is full. When you select this option, the machine continues the print job, ejecting the remaining pages onto the machine's main output tray when the Mailbox bin is full.

## 10. Other Print Options

### Sleep Time

Select this option to set the machine to enter sleep mode immediately after printing.

### Macro (available only for certain models)

Select this feature to print an electronic form (macro), which you have stored in your machine's memory, as an overlay on the print job.

### Density Adjustment

Specify the print density.

### Improve Print Output

Select this option to reduce the amount of paper curling and improve the toner fixing.

### Skip Blank Page

Select this option to allow the printer driver to automatically detect blank pages and exclude them from printing.

### Print Text in Black

Select this option when you want to print colour text in black.

### Print Archive

Select this option to save the print data as a PDF file to your computer.

### Eco settings

Select this option to reduce printing noise.



## Related Information

- [Print from Your Computer \(Windows\)](#)

### Related Topics:

- [The Mailbox Unit](#)

- 
- Print a Document (Windows)
-

## Secure Print (Windows)

Use Secure Print to ensure that confidential or sensitive documents do not print until you enter a password on the machine's control panel.

The secure data is deleted from the machine when you turn the machine off.

>> [HL-L5210DN/HL-L5210DW/HL-L6210DW](#)

>> [HL-L6410DN/HL-L6415DW](#)

### HL-L5210DN/HL-L5210DW/HL-L6210DW

1. Select the print command in your application.
2. Select your model's name, and then click the printer's properties or preferences button.  
The printer driver window appears.
3. Click the **Advanced** tab.
4. Click the **Settings** button in the **Secure Print** field.
5. Select the **Secure Print** checkbox.
6. Type your four-digit password in the **Password** field.
7. Type the **User Name** and **Job Name** in the text field, if needed.
8. Click **OK**, to close the **Secure Print Settings** window.
9. Click **OK**.
10. Complete your print operation.
11. On the machine's control panel, press **Secure**.
12. Press ▲ or ▼ to display your user name, and then press **OK**.
13. Enter your four-digit password.  
To enter each digit, press ▲ or ▼ to select a number, and then press **OK**.
14. Press ▲ or ▼ to display the job, and then press **OK**.
15. Press ▲ or ▼ to select the [Print] option, and then press **OK**.
16. Press ▲ or ▼ to enter the number of copies you want.
17. Press **OK**.  
The machine prints the data.

After you print the secured data, it is cleared from the machine's memory.

### HL-L6410DN/HL-L6415DW

1. Select the print command in your application.
2. Select your model's name, and then click the printer's properties or preferences button.  
The printer driver window appears.
3. Click the **Advanced** tab.
4. Click the **Settings** button in the **Secure Print** field.
5. Select the **Secure Print** checkbox.
6. Type your four-digit password in the **Password** field.
7. Type the **User Name** and **Job Name** in the text field, if needed.
8. Click **OK**, to close the **Secure Print Settings** window.
9. Click **OK**.
10. Complete your print operation.
11. On the machine's control panel, press [Secure Print].



- 
12. Press ▲ or ▼ to display the user names, and then press your user name to select it.
  13. Enter your four-digit password, and then press [OK].
  14. Press ▲ or ▼ to display the print job, and then press it.
  15. Enter the number of copies you want.
  16. Press [Start].

After you print the secured data, it is cleared from the machine's memory.





### **Related Information**

- [Print from Your Computer \(Windows\)](#)

## Change the Default Print Settings (Windows)

When you change an application's print settings, the changes only apply to documents printed with that application. To change print settings for all Windows applications, you must configure the printer driver properties.

1. Do one of the following:
  - For Windows 11  
Click  > **All apps** > **Windows Tools** > **Control Panel**. In the **Hardware and Sound** group, click **View devices and printers**.
  - For Windows 10, Windows Server 2016, Windows Server 2019, and Windows Server 2022  
Click  > **Windows System** > **Control Panel**. In the **Hardware and Sound (Hardware)** group, click **View devices and printers**.
  - For Windows Server 2012 R2  
Click **Control Panel** on the **Start** screen. In the **Hardware** group, click **View devices and printers**.
  - For Windows Server 2012  
Move your mouse to the lower right corner of your desktop. When the menu bar appears, click **Settings**, and then click **Control Panel**. In the **Hardware** group, click **View devices and printers**.
2. Right-click your model's icon, and then select **Printer properties**. (If printer driver options appear, select your printer driver.)

The printer properties dialog box appears.
3. Click the **General** tab, and then click the **Printing Preferences...** or **Preferences...** button.

The printer driver dialog box appears.

---

  - To configure the tray settings, click the **Device Settings** tab (available for certain models).
  - To change the printer port, click the **Ports** tab.

---
4. Select the print settings you want to use as defaults for all of your Windows programs.
5. Click **OK**.
6. Close the printer properties dialog box.





### Related Information

- [Print from Your Computer \(Windows\)](#)
  - [Configure the Optional Tray Settings \(Windows\)](#)

## Configure the Optional Tray Settings (Windows)

Access your machine's Properties to auto-detect your machine's Optional Tray and check the machine's serial number.

The printer driver automatically detects the Optional Tray during the driver installation. If you added the Optional Tray after the driver installation, follow these steps:

1. Do one of the following:
  - For Windows 11  
Click  > **All apps** > **Windows Tools** > **Control Panel**. In the **Hardware and Sound** group, click **View devices and printers**.
  - For Windows 10, Windows Server 2016, Windows Server 2019, and Windows Server 2022  
Click  > **Windows System** > **Control Panel**. In the **Hardware and Sound (Hardware)** group, click **View devices and printers**.
  - For Windows Server 2012 R2  
Click **Control Panel** on the **Start** screen. In the **Hardware** group, click **View devices and printers**.
  - For Windows Server 2012  
Move your mouse to the lower right corner of your desktop. When the menu bar appears, click **Settings**, and then click **Control Panel**. In the **Hardware** group, click **View devices and printers**.
2. Right-click your model's icon, and then select **Printer properties**. (If printer driver options appear, select your printer driver.)

The printer properties dialog box appears.
3. Click the **Device Settings** tab.
4. Click the **Auto Detect** button.

The Optional Tray and the machine's serial number are automatically detected.
5. Click the **Apply** button.
6. Close the printer properties dialog box.

The **Auto Detect** function is not available under the following machine conditions:

- The machine is turned off.
- The machine is shared via Print Server
- The machine and your computer are not connected.

### Related Information

- [Change the Default Print Settings \(Windows\)](#)

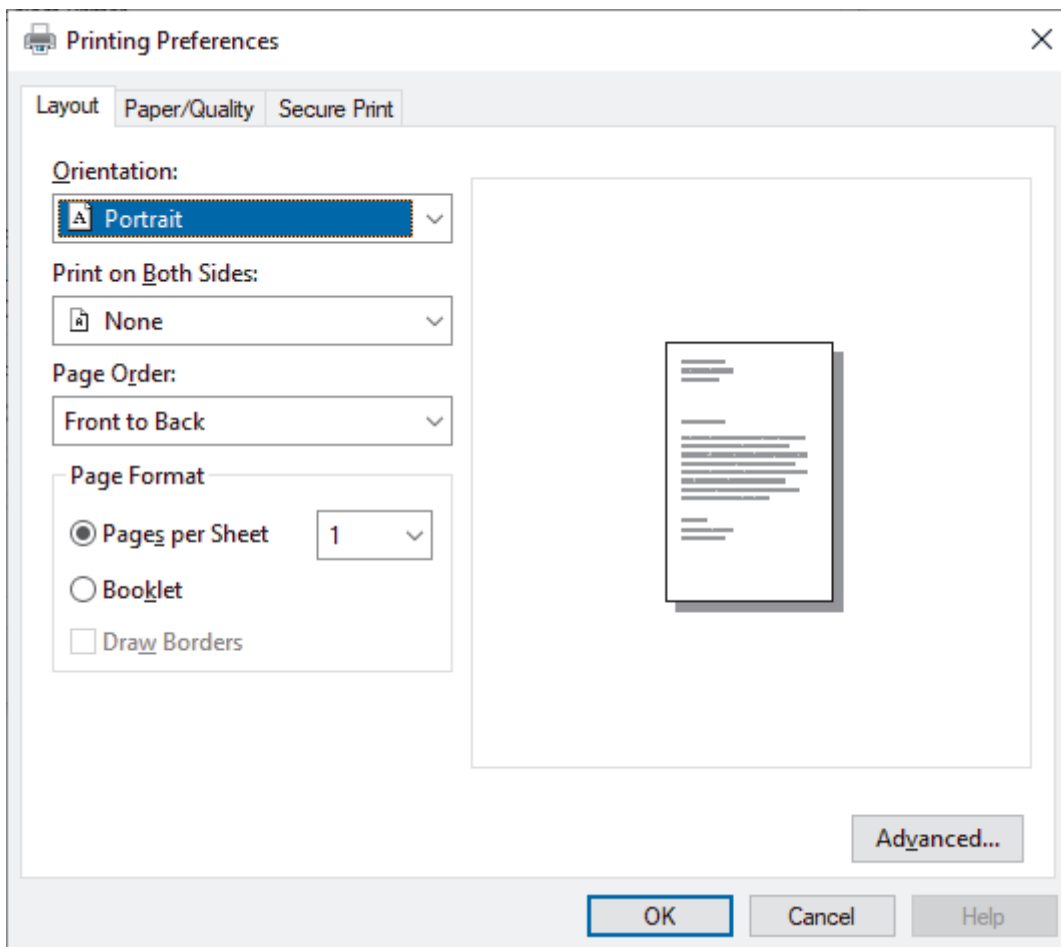
## Print a Document Using the BR-Script3 Printer Driver (PostScript® 3™ Language Emulation) (Windows)

The BR-Script3 printer driver lets you print PostScript® data more clearly.

Go to your model's **Downloads** page at [support.brother.com/downloads](http://support.brother.com/downloads) to install the PS driver (BR-Script3 printer driver).

1. Select the print command in your application.
2. Select your model with **BR-Script3** in the name, and then click the printer's properties or preferences button.

The printer driver window appears.



3. Click the **Layout**, **Paper/Quality**, or **Secure Print** tab to change basic print settings. (available only for certain models)  
Click the **Layout** or **Paper/Quality** tab, and then click the **Advanced...** button to change advanced print settings. Click **OK**.
4. Click **OK**.
5. Complete your print operation.



### ✓ Related Information

- [Print from Your Computer \(Windows\)](#)

## Monitor the Status of the Machine from Your Computer (Windows)

The Status Monitor is a configurable software tool for monitoring the status of one or more machines, allowing you to get immediate notification of errors.

Do one of the following:

- Double-click the  icon in the task tray.
- Launch  (**Brother Utilities**), and then click the drop-down list and select your model's name (if not already selected). Click **Tools** in the left navigation bar, and then click **Status Monitor**.

### Troubleshooting

Click the **Troubleshooting** button to access the support website.

### Looking for replacement supplies?

Click the **Looking for replacement supplies?** button for more information on Brother genuine supplies.



### Related Information

- [Print from Your Computer \(Windows\)](#)

#### Related Topics:

- [Printing Problems](#)

## **Print from Your Computer (Mac)**

- [Print Using AirPrint](#)

## Print Using AirPrint

- [Print from iPad, iPhone, or iPod touch](#)
- [Print Using AirPrint \(macOS\)](#)
- [Clear Paper Jams](#)

## Print an Email Attachment

You can print files by emailing them to your Brother machine.

- Make sure Web Based Management is set to On. For more information, see *Related Information*.
- You can attach up to 10 documents, 20 MB in total, to an email.
- This feature supports the following formats:
  - Document files: PDF, TXT, and Microsoft Office files
  - Image files: JPEG, BMP, GIF, PNG, and TIFF
- The machine prints both the email content and attachments by default. To print only email attachments, change the settings as necessary.

1. Start your web browser.
2. Type "https://machine's IP address" in your browser's address bar (where "machine's IP address" is your machine's IP address).

For example:

https://192.168.1.2

3. If required, type the password in the **Login** field, and then click **Login**.



The default password to manage this machine's settings is located on the back of the machine and marked "Pwd".

4. Go to the navigation menu, and then click **Online Functions > Online Functions Settings**.



- Start from ☰, if the navigation menu is not shown on the left side of the screen.
- If this function is locked, contact your network administrator for access.

5. Click the **I accept the terms and conditions** button.
6. Go to your machine, and then follow the machine's instructions to enable the settings.
7. On your computer, click **General Settings**.

The **Email Print: General Settings** screen appears.

8. Click the **Enable** button.  
The machine prints the instruction sheet.
9. Send your email to the email address included on the sheet. The machine prints the email attachments.



- To change the settings, including email address and printer settings, click the **Online Functions Settings Page** button.

- (HL-L6410DN/HL-L6415DW)

You can also configure the settings from your machine. Press [Functions] > [Web] > [Online Functions], and then follow the on-screen instructions.



### Related Information

- [Print](#)

#### Related Topics:

- [Enable/Disable Web Based Management Using the Control Panel](#)



## Secure Print Using a USB Flash Drive

**Related Models:** HL-L6410DN/HL-L6415DW

USB Storage Print allows you to save secure print data to the USB flash drive and print them later by entering a password on the machine's control panel.

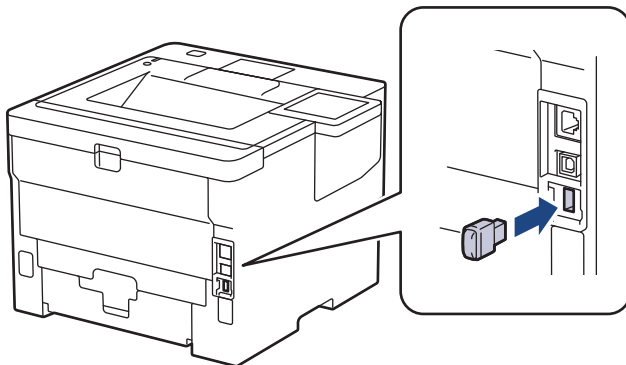
### NOTE



USB flash drive requirements:

- Storage Size: 1 GB or more (Recommended: 16 GB or more)
- Format: FAT32/exFAT
- Data stored on a USB flash drive is encrypted, but this may not protect it from unauthorised access in all circumstances. Make sure you securely manage and store your data and USB flash drive.
- Data on a USB flash drive can only be read on the machine whose data it stores. You cannot read the data on another machine, device, or computer.
- When you no longer need the USB flash drive to store the data from your machine and want to use it for other purposes, delete all stored data, and format the USB flash drive on your computer. To format or clean the USB flash drive, refer to its user manual for instructions.

For more information on the printer driver settings, see *Related Information*.

1. Insert your USB flash drive into the rear USB port.



2. Press .
3. On the machine's control panel, press  [Settings] > [All Settings] > [Printer] > [Job Save Location].
4. Press [USB flash drive (Rear port)].  
A message appears on the LCD to initialise the USB flash drive.
5. Press and hold [OK] for two seconds to initialise.  
The machine will restart and activate the USB Storage Print feature.

### NOTE

- When the machine restarts to activate the USB Storage Print feature, all the stored jobs, Macro, Stream and Font data will be deleted from the machine's memory.
  - When the machine restarts to activate the USB Storage Print feature, the Macro, Stream and Font data will be deleted from the USB flash drive.
6. In the printer driver, complete the settings for the Secure Print option and execute the print command in your application.

- 
7. On the machine's control panel, press [Secure Print].
  8. Press ▲ or ▼ to display the user names, and then press your user name to select it.
  9. Enter your four-digit password, and then press [OK].
  10. Press ▲ or ▼ to display the print job, and then press it.
  11. Enter the number of copies you want.
  12. Press [Start].

The machine prints the data and deletes the print job from the USB flash drive.

## IMPORTANT

DO NOT remove the USB flash drive from the rear USB port until the machine has finished printing.

---

### Related Information

- [Print](#)

#### **Related Topics:**

- [Error and Maintenance Messages](#)
-

## Print Duplicate Copies

Use the Carbon Copy function to make multiple copies of the same print data, as if printing on carbon paper. Send the data to individual paper trays that you loaded with different paper types or colours.

For example, you may want to set the machine to send your print data to Tray 1, which you have pre-loaded with blue coloured paper, and then reprint the data in a certain location on the page from the MP Tray, which you have loaded with yellow coloured paper that already contains text.

If you load blue paper in Tray 1 and yellow paper in the MP tray, the printer will automatically feed paper for Sheet 1 from Tray 1 and Sheet 2 from the MP Tray.

If you enable the Carbon Copy function, the machine will always make copies automatically.



(Windows)

The carbon copy function also allows you to select a different printing macro/stream for each page.

>> [HL-L5210DN/HL-L5210DW/HL-L6210DW](#)

>> [HL-L6410DN/HL-L6415DW](#)

### HL-L5210DN/HL-L5210DW/HL-L6210DW

1. Press ▲ or ▼ to display the [Printer] option, and then press **OK**.
2. Press ▲ or ▼ to display the [Carbon Menu] option, and then press **OK**.
3. Press ▲ or ▼ to display the [Carbon Copy] option, and then press **OK**.
4. Press ▲ or ▼ to display the [On] option, and then press **OK**.
5. Press ▲ or ▼ to display the [Copies] option, and then press **OK**.
6. Press ▲ or ▼ to enter the number of copies you want, and then press **OK**.
7. Press ▲ or ▼ to display the [Copy1 Tray] option, and then press **OK**.
8. Press ▲ or ▼ to display the paper tray you want to configure as [Copy1 Tray], and then press **OK**.




(Windows)

- a. Press ▲ or ▼ to display the [Copy1 Macro] option, and then press **OK**.
- b. Press ▲ or ▼ to display the ID number of the macro you want to use, and then press **OK**.

9. Repeat these steps until you have selected all the tray settings for each copy.
10. Send your print job to the machine.

### HL-L6410DN/HL-L6415DW

1. Press  [Settings] > [All Settings] > [Printer] > [Carbon Menu] > [Carbon Copy] > [On].
2. Press ▲ or ▼ to display the [Copies] option, and then press the [Copies] option.
3. Enter the number of copies you want, and then press [OK].
4. Press ▲ or ▼ to display the [Copy1 Tray] option, and then press the [Copy1 Tray] option.
5. Press ▲ or ▼ to display the paper tray for which you want to configure the [Copy1 Tray] option, and then press the paper tray name to select it.



(Windows)

- a. Press ▲ or ▼ to display the [Copy1 Macro] option, and then press the [Copy1 Macro] option.
- b. Press ▲ or ▼ to display the ID number of the macro you want to use, and then press it.

6. Repeat these steps until you have selected all the tray settings for each copy.

7. Press .

---

8. Send your print job to the machine.



### Related Information

- [Print](#)
-

## Change Print Settings Using the Control Panel

Select the type of document you want to print.



>> [HL-L5210DN/HL-L5210DW/HL-L6210DW](#)

>> [HL-L6410DN/HL-L6415DW](#)

### HL-L5210DN/HL-L5210DW/HL-L6210DW

1. Press ▲ or ▼ to display the [Printer] option, and then press **OK**.
2. Press ▲ or ▼ to display the [Printer Settings] option, and then press **OK**.
3. Press ▲ or ▼ to display the [Graphics] or [Text] option, and then choose the option you want.
4. Press **OK**.

### HL-L6410DN/HL-L6415DW

1. Press  [Settings] > [All Settings] > [Printer] > [Print Settings].
2. Press [Text] or [Graphics].
3. Press .

### Related Information

- [Print](#)

## Cancel a Print Job

>> [HL-L5210DN/HL-L5210DW/HL-L6210DW](#)  
>> [HL-L6410DN/HL-L6415DW](#)

### HL-L5210DN/HL-L5210DW/HL-L6210DW

Press **Cancel**.




To cancel multiple print jobs, press and hold **Cancel** for four seconds.

### HL-L6410DN/HL-L6415DW

Press .



To cancel multiple print jobs, press and hold  for four seconds.

### Related Information

- [Print](#)

#### Related Topics:

- [Printing Problems](#)

## Test Print

If there are problems with print quality, follow these instructions to do a test print:

>> [HL-L5210DN/HL-L5210DW/HL-L6210DW](#)



>> [HL-L6410DN/HL-L6415DW](#)

### HL-L5210DN/HL-L5210DW/HL-L6210DW

1. Press ▲ or ▼ to display the [Printer] option, and then press **OK**.
2. (HL-L5210DN/HL-L5210DW/HL-L6210DW) Press ▲ or ▼ to display the [Print Options] option, and then press **OK**.
3. Press ▲ or ▼ to display the [Test Print] option, and then press **OK**.
4. Press **Go**.

The machine prints the test page.

### HL-L6410DN/HL-L6415DW

1. Press  [Settings] > [All Settings] > [Printer] > [Print Options] > [Test Print].
2. Press [Yes].
3. Press .

### Related Information

- [Print](#)

#### Related Topics:

- [Improve the Print Quality](#)

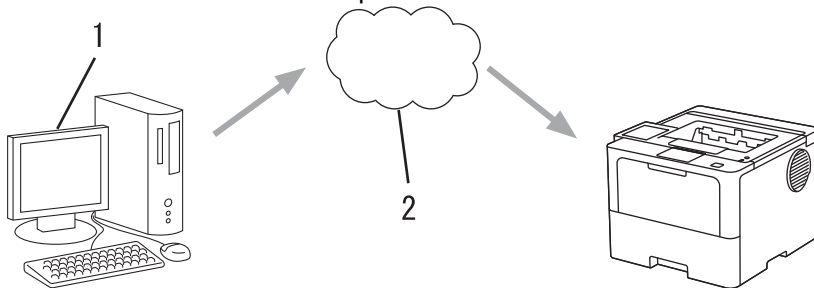
## Universal Print

- [Universal Print Overview](#)
- [Register Your Machine with Universal Print Using Web Based Management](#)
- [Assign Universal Print Users via Microsoft Azure Portal](#)
- [Add a Universal Print-enabled Printer to Your Computer](#)
- [Print Using Universal Print](#)
- [Deregister Your Machine from Universal Print](#)



## Universal Print Overview

Universal Print is a cloud-based print service from Microsoft. You can print documents, from anywhere on the Internet, without installing a printer driver. Universal Print is available for Azure Active Directory (Azure AD) users with the Microsoft 365 subscription.



1. Computer running Windows 10 20H1 or greater
2. Cloud server



### Related Information

- [Universal Print](#)

## Register Your Machine with Universal Print Using Web Based Management

- Make sure you set the correct date and time for your time zone.
- If your network uses a proxy server, configure the proxy server settings.

1. Start your web browser.
2. Type "https://machine's IP address" in your browser's address bar (where "machine's IP address" is your machine's IP address).

For example:

https://192.168.1.2


3. If required, type the password in the **Login** field, and then click **Login**.



The default password to manage this machine's settings is located on the back of the machine and marked "Pwd".

4. Go to the navigation menu, and then click **Network > Network > Protocol**.



Start from , if the navigation menu is not shown on the left side of the screen.

5. Select the **Universal Print** checkbox, and then click **Advanced Settings**.
6. Change your machine's name in the **Device Name** field if necessary.



Using the following characters: ?, /, \, ", :, <, >, | or \* may cause a sending error.

7. Click **Register**.



If an error occurs, follow the on-screen instructions.

8. A Universal Print user code appears. Click the **Sign in** button, and then type the user code.
9. Follow the on-screen instructions to finish the registration.



### Related Information

- [Universal Print](#)

#### Related Topics:

- [Configure Date and Time Using Web Based Management](#)
- [Configure the Proxy Server Settings Using Web Based Management](#)

## Assign Universal Print Users via Microsoft Azure Portal

You can assign users to the Universal Print service only if your machine is registered on the Microsoft Azure portal.



1. Access the Microsoft Azure portal.  
URL: [portal.azure.com](https://portal.azure.com)
2. Log in as a Printer Administrator.
3. Select the **Universal Print** service.
4. Select the **Printers** option, and then select your machine from the list.
5. Select the **Share** option.
6. Select the users you want to assign to the Universal Print service, and then click **Share Printer**.



### Related Information

- [Universal Print](#)
-

## Add a Universal Print-enabled Printer to Your Computer

1. Click  >  > **Devices** > **Printers & scanners** > **Add a printer or scanner**.
2. Select your machine registered as a Universal Print-enabled printer from the list, and then click **Add device**.



### Related Information

- [Universal Print](#)
-

## Print Using Universal Print

1. Select the print command in your application.
2. Select the machine you registered as a Universal Print-enabled printer, and then click the printer's properties or preferences button.
3. Change the printer settings, if needed.
4. Complete your print operation.



### Related Information

- [Universal Print](#)
-

## Deregister Your Machine from Universal Print

To deregister your machine, you must delete it from Web Based Management, and then delete it on the Microsoft Azure portal.

1. Start your web browser.
2. Type "https://machine's IP address" in your browser's address bar (where "machine's IP address" is your machine's IP address).

For example:

https://192.168.1.2

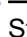
3. If required, type the password in the **Login** field, and then click **Login**.



The default password to manage this machine's settings is located on the back of the machine and marked "Pwd".

4. Go to the navigation menu, and then click **Network > Network > Protocol**.



Start from , if the navigation menu is not shown on the left side of the screen.

5. Next to the **Universal Print** checkbox, click **Advanced Settings**.
6. Click **Delete Registration Data**, and then follow the on-screen instructions.
7. Access the Microsoft Azure portal.  
URL: [portal.azure.com](https://portal.azure.com)
8. Log in as a Printer Administrator.
9. Select the **Universal Print** service.
10. Select the **Printers** option, and then select your machine from the list.
11. Click **Delete Printer Share**.
12. Click **Unregister**.



### Related Information

- [Universal Print](#)

## Network

- [Supported Basic Network Features](#)
- [Configure Network Settings](#)
- [Wireless Network Settings](#)
- [Network Features](#)

## Supported Basic Network Features

The machine supports various features depending on the operating system. Use this table to see which network features and connections are supported by each operating system.

Operating Systems	Windows	Windows Server	macOS
Printing	Yes	Yes	Yes
Web Based Management <sup>1</sup>	Yes	Yes	Yes
Status Monitor	Yes		
Driver Deployment Wizard	Yes	Yes	

<sup>1</sup> The default password to manage this machine's settings is located on the back of the machine and marked "**Pwd**". We recommend immediately changing the default password to protect your machine from unauthorised access.



- When connecting your machine to an outside network such as the Internet, make sure your network environment is protected by a separate firewall or other means in order to prevent information leaks due to inadequate settings or unauthorised access by malicious third parties.
- When your machine is connected to the global network, a warning appears. When you see this warning, we strongly recommend confirming your network settings, and then re-connecting to a secure network.
- Enabling your machine's global network communication filtering feature blocks access from the global network. The global network communication filtering feature may prevent the machine from receiving certain print or scan jobs from a computer or mobile device that uses a global IP address.



### Related Information

- [Network](#)



## Configure Network Settings

- [Configure Network Details Using the Control Panel](#)
- [Change Machine Settings Using Web Based Management](#)

## Configure Network Details Using the Control Panel

To configure the machine for your network, use the control panel's [Network] menu selections.



- For information about the network settings you can configure using the control panel, see *Related Information: Settings Tables*.
- You can also use Web Based Management, to configure and change your machine's network settings.


>> [HL-L5210DN/HL-L5210DW/HL-L6210DW](#)

>> [HL-L6410DN/HL-L6415DW](#)

### HL-L5210DN/HL-L5210DW/HL-L6210DW

1. Press ▲ or ▼ to select the [Network] option, and then press **OK**.
2. Press ▲ or ▼ to select the network option you want, and then press **OK**. Repeat this step until you access the menu you want to configure, and then follow the LCD instructions.

### HL-L6410DN/HL-L6415DW

1. Press  [Settings] > [All Settings] > [Network].
2. Press ▲ or ▼ to display the network option you want, and then press it. Repeat this step until you access the menu you want to configure, and then follow the LCD instructions.

### Related Information

- [Configure Network Settings](#)

#### Related Topics:

- [Settings Tables \(HL-L5210DN/HL-L5210DW/HL-L6210DW\)](#)
- [Settings Tables \(HL-L6410DN/HL-L6415DW\)](#)
- [Feature Tables \(HL-L6410DN/HL-L6415DW\)](#)
- [Supported Basic Network Features](#)

## Wireless Network Settings

**Related Models:** HL-L5210DW/HL-L6210DW/HL-L6410DN/HL-L6415DW

- [Use the Wireless Network](#)
- [Use Wi-Fi Direct<sup>®</sup>](#)
- [Enable/Disable Wireless LAN](#)
- [Print the WLAN Report](#)

## Use the Wireless Network

**Related Models:** HL-L5210DW/HL-L6210DW/HL-L6410DN/HL-L6415DW

- [Before Configuring Your Machine for a Wireless Network](#)
- [Configure Your Machine for a Wireless Network Using the Setup Wizard from Your Computer](#)
- [Configure Your Machine for a Wireless Network Using the Machine's Control Panel Setup Wizard](#)
- [Configure Your Machine for a Wireless Network Using the One Push Method of Wi-Fi Protected Setup™ \(WPS\)](#)
- [Configure Your Machine for a Wireless Network Using the PIN Method of Wi-Fi Protected Setup™ \(WPS\)](#)
- [Configure Your Machine for a Wireless Network When the SSID Is Not Broadcast](#)
- [Configure Your Machine for an Enterprise Wireless Network](#)

## Before Configuring Your Machine for a Wireless Network

**Related Models:** HL-L5210DW/HL-L6210DW/HL-L6410DN/HL-L6415DW

### NOTE

HL-L6410DN:

The wireless network connection can be used only when the optional Wireless Module is installed.

Before attempting to configure a wireless network, confirm the following:

- If you are using an enterprise wireless network, you must know the User ID and Password.
- To achieve optimum results with normal everyday document printing, place your machine as close to the wireless LAN access point/router as possible with minimal obstructions. Large objects and walls between the two devices and interference from other electronic devices can affect the data transfer speed of your documents.

Due to these factors, wireless may not be the best method of connection for all types of documents and applications. If you are printing large files, such as multi-page documents with mixed text and large graphics, you may want to consider selecting wired Ethernet for faster data transfer (supported models only), or USB for the fastest throughput speed.

- Although your machine can be used in both a wired and wireless network (supported models only), only one connection method can be used at a time. However, a wireless network connection and Wi-Fi Direct connection, or a wired network connection (supported models only) and Wi-Fi Direct connection can be used at the same time.
- If there is a signal in the vicinity, wireless LAN allows you to freely make a LAN connection. However, if security settings are not correctly configured, the signal may be intercepted by malicious third-parties, possibly resulting in:
  - Theft of personal or confidential information
  - Improper transmission of information to parties impersonating the specified individuals
  - Dissemination of transcribed communication contents that were intercepted



Make sure you know your wireless router/access point's Network Name (SSID) and Network Key (Password). If you cannot find this information, consult the manufacturer of your wireless router/access point, your system administrator, or Internet provider. Brother cannot provide this information.



### Related Information

- [Use the Wireless Network](#)

## Configure Your Machine for a Wireless Network Using the Setup Wizard from Your Computer

**Related Models:** HL-L5210DW/HL-L6210DW/HL-L6410DN/HL-L6415DW

### NOTE

(HL-L6410DN)

The wireless network connection can be used only when the optional Wireless Module is installed.

1. Download the installer from your model's **Downloads** page at [support.brother.com/downloads](http://support.brother.com/downloads).
2. Start the installer, and then follow the on-screen instructions.
3. Select **Wireless Network Connection (Wi-Fi)** or **Wireless Network Connection (Wi-Fi) (Optional)**, and then click **Next**.
4. Follow the on-screen instructions.

You have completed the wireless network setup.



### Related Information

- [Use the Wireless Network](#)

## Configure Your Machine for a Wireless Network Using the Machine's Control Panel Setup Wizard

**Related Models:** HL-L5210DW/HL-L6210DW/HL-L6410DN/HL-L6415DW

### NOTE

(HL-L6410DN)

The wireless network connection can be used only when the optional Wireless Module is installed.

>> [HL-L5210DW/HL-L6210DW](#)

>> [HL-L6410DN/HL-L6415DW](#)

### HL-L5210DW/HL-L6210DW

Before configuring your machine, we recommend writing down your wireless network settings. You will need this information before you continue with the configuration.

1. Check and record the current wireless network settings of the computer to which you are connecting.

Network Name (SSID)

Network Key

For example:

Network Name (SSID)
HELLO

Network Key
12345



- Your access point/router may support the use of multiple WEP keys, but your Brother machine supports the use of only the first WEP key.
- If you need assistance during setup and want to contact Brother customer service, make sure you have your SSID (Network Name) and Network Key (Password) ready. We cannot assist you in locating this information.
- If you do not know this information (SSID and Network Key), you cannot continue the wireless setup.

#### How can I find this information?

- Check the documentation provided with your wireless access point/router.
- The initial SSID could be the manufacturer's name or the model name.
- If you do not know the security information, consult the router manufacturer, your system administrator, or your Internet provider.

2. Press ▲ or ▼ to select the [Network] option, and then press **OK**.
3. Press ▲ or ▼ to select the [WLAN (Wi-Fi)] option, and then press **OK**.
4. Press ▲ or ▼ to select the [Find Network] option, and then press **OK**.

5. When [WLAN Enable?] appears, select On.  
This will start the wireless setup wizard.
6. The machine will search for your network and display a list of available SSIDs. When a list of SSIDs appears, press ▲ or ▼ to select the SSID you want.
7. Press **OK**.
8. Do one of the following:
  - If you are using an authentication and encryption method that requires a Network Key, enter the Network Key you wrote down in the first step.  
Enter the key, and then press **OK** to apply your settings.  
To apply the settings, select [Yes].
  - If your authentication method is Open System and your encryption mode is None, go to the next step.
9. The machine attempts to connect to the wireless device you have selected.

If your wireless device is connected successfully, the machine's LCD displays [Connected].

You have completed the wireless network setup. To install the drivers and software necessary to use your machine, go to your model's **Downloads** page at [support.brother.com/downloads](http://support.brother.com/downloads).

## HL-L6410DN/HL-L6415DW

Before configuring your machine, we recommend writing down your wireless network settings. You will need this information before you continue with the configuration.

1. Check and record the current wireless network settings of the computer to which you are connecting.

Network Name (SSID)

Network Key (Password)

For example:

Network Name (SSID)
HELLO


Network Key (Password)
12345



- Your access point/router may support the use of multiple WEP keys, but your Brother machine supports the use of only the first WEP key.
- If you need assistance during setup and want to contact Brother customer service, make sure you have your SSID (Network Name) and Network Key (Password) ready. We cannot assist you in locating this information.
- If you do not know this information (SSID and Network Key), you cannot continue the wireless setup.

### How can I find this information?

- Check the documentation provided with your wireless access point/router.
- The initial SSID could be the manufacturer's name or the model name.
- If you do not know the security information, consult the router manufacturer, your system administrator, or your Internet provider.

2. Press  [Settings] > [All Settings] > [Network] > [WLAN (Wi-Fi)] > [Find Wi-Fi Network].



---

3. When [Enable WLAN?] appears, press [Yes].

This will start the wireless setup wizard. To cancel, press [No].

4. The machine will search for your network and display a list of available SSIDs.

If a list of SSIDs is displayed, press ▲ or ▼ to display the SSID to which you want to connect, and then press the SSID.

5. Press [OK].

6. Do one of the following:

- If you are using an authentication and encryption method that requires a Network Key, enter the Network Key you wrote down in the first step.

When you have entered all the characters, press [OK].

- If your authentication method is Open System and your encryption mode is None, go to the next step.

7. The machine attempts to connect to the wireless device you have selected.

If your wireless device is connected successfully, the machine's LCD displays [Connected]. Press [OK].

You have completed the wireless network setup. To install the drivers or the application necessary for operating your machine, go to your model's **Downloads** page at [support.brother.com/downloads](http://support.brother.com/downloads).



### Related Information

- [Use the Wireless Network](#)

#### Related Topics:

- [How to Enter Text on Your Machine](#)
  - [Wireless LAN Report Error Codes](#)
-

## Configure Your Machine for a Wireless Network Using the One Push Method of Wi-Fi Protected Setup™ (WPS)

**Related Models:** HL-L5210DW/HL-L6210DW/HL-L6410DN/HL-L6415DW

### NOTE

(HL-L6410DN)

The wireless network connection can be used only when the optional Wireless Module is installed.

If your wireless access point/router supports WPS (PBC: Push Button Configuration), you can use WPS from your machine's control panel menu to configure your wireless network settings.

>> [HL-L5210DW/HL-L6210DW](#)

>> [HL-L6410DN/HL-L6415DW](#)

### HL-L5210DW/HL-L6210DW


1. Press ▲ or ▼ to select the [Network] option, and then press **OK**.
2. Press ▲ or ▼ to select the [WLAN (Wi-Fi)] option, and then press **OK**.
3. Press ▲ or ▼ to select the [WPS/Push Button] option, and then press **OK**.
4. When [WLAN Enable?] appears, select On.

This will start the wireless setup wizard.

If your wireless device is connected successfully, the machine's LCD displays [Connected].

You have completed the wireless network setup. To install the drivers and software necessary to use your machine, go to your model's **Downloads** page at [support.brother.com/downloads](http://support.brother.com/downloads).

### HL-L6410DN/HL-L6415DW

1. Press  [Settings] > [All Settings] > [Network] > [WLAN (Wi-Fi)] > [WPS/Push Button].
2. When [Enable WLAN?] appears, press [Yes].  
This will start the wireless setup wizard. To cancel, press [No].
3. When the touchscreen displays [Start WPS on your wireless access point/router, then press [OK].], press the WPS button on your wireless access point/router. Then press [OK] on your machine. Your machine will automatically detect your wireless access point/router and try to connect to your wireless network.

If your wireless device is connected successfully, the machine's LCD displays [Connected]. Press [OK].

You have completed the wireless network setup. To install the drivers and software necessary to use your machine, go to your model's **Downloads** page at [support.brother.com/downloads](http://support.brother.com/downloads).



### Related Information

- [Use the Wireless Network](#)

#### Related Topics:

- [Wireless LAN Report Error Codes](#)

## Configure Your Machine for a Wireless Network Using the PIN Method of Wi-Fi Protected Setup™ (WPS)

**Related Models:** HL-L5210DW/HL-L6210DW/HL-L6410DN/HL-L6415DW

### NOTE

(HL-L6410DN)

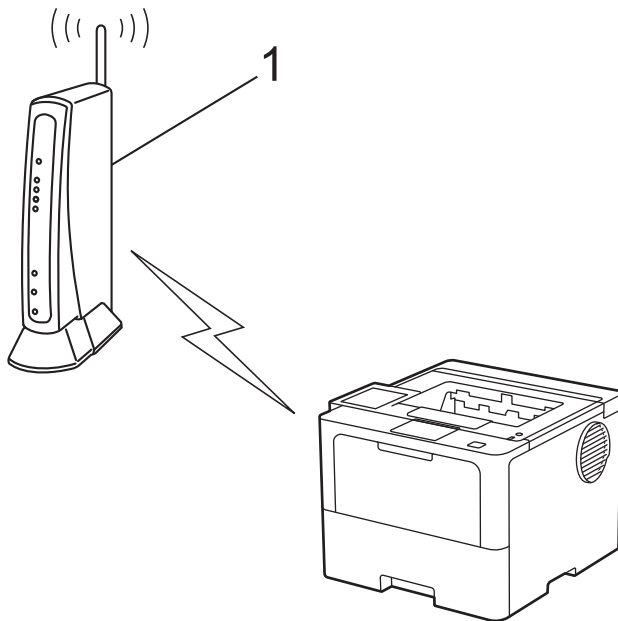
The wireless network connection can be used only when the optional Wireless Module is installed.

If your wireless LAN access point/router supports WPS, you can use the Personal Identification Number (PIN) Method to configure your wireless network settings.

The PIN Method is one of the connection methods developed by the Wi-Fi Alliance®. By submitting a PIN created by an Enrollee (your machine) to the Registrar (a device that manages the wireless LAN), you can set up the wireless network and security settings. For more information on how to access WPS mode, see the instructions provided with your wireless access point/router.

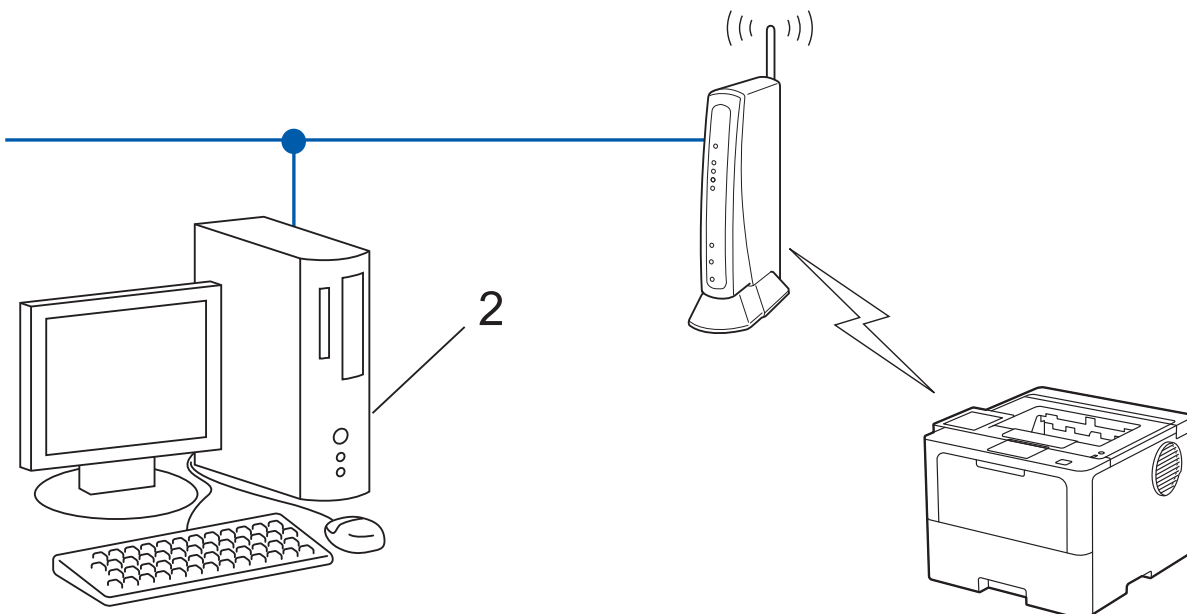
#### Type A

Connection when the wireless LAN access point/router (1) doubles as the Registrar:



#### Type B

Connection when another device (2), such as a computer, is used as the Registrar:



>> HL-L5210DW/HL-L6210DW  
>> HL-L6410DN/HL-L6415DW



## HL-L5210DW/HL-L6210DW

1. Press ▲ or ▼ to select the [Network] option, and then press **OK**.
2. Press ▲ or ▼ to select the [WLAN (Wi-Fi)] option, and then press **OK**.
3. Press ▲ or ▼ to select the [WPS/PIN Code] option, and then press **OK**.
4. When [WLAN Enable?] appears, select On.  
This will start the wireless setup wizard.
5. The LCD displays an eight-digit PIN and the machine starts searching for a wireless LAN access point/router.
6. Using a computer connected to the network, in your browser's address bar, type the IP address of the device you are using as the Registrar (for example: http://192.168.1.2).
7. Go to the WPS settings page and type the PIN, and then follow the on-screen instructions.



- The Registrar is usually the wireless LAN access point/router.
- The settings page may differ depending on the brand of wireless LAN access point/router. For more information, see the instructions supplied with your wireless LAN access point/router.

**If you are using a Windows 10 or Windows 11 computer as a Registrar, complete the following steps:**

8. Do one of the following:
  - Windows 11  
Click  > **All apps** > **Windows Tools** > **Control Panel**. In the **Hardware and Sound** group, click **Add a device**.
  - Windows 10  
Click  > **Windows System** > **Control Panel**. In the **Hardware and Sound** group, click **Add a device**.




- To use a Windows 10 or Windows 11 computer as a Registrar, you must register it to your network in advance. For more information, see the instructions supplied with your wireless LAN access point/router.
- If you use Windows 10 or Windows 11 as a Registrar, you can install the printer driver after the wireless configuration by following the on-screen instructions. To install the driver and software necessary to use your machine, go to your model's **Downloads** page at [support.brother.com/downloads](http://support.brother.com/downloads).

9. Select your machine and click **Next**.
10. Type the PIN displayed on the machine's LCD, and then click **Next**.
11. Click **Close**.

If your wireless device is connected successfully, the machine's LCD displays [Connected].

You have completed the wireless network setup. To install the drivers and software necessary to use your machine, go to your model's **Downloads** page at [support.brother.com/downloads](http://support.brother.com/downloads).


## HL-L6410DN/HL-L6415DW

1. Press  [Settings] > [All Settings] > [Network] > [WLAN (Wi-Fi)] > [WPS/PIN Code].
2. When [Enable WLAN?] appears, press [Yes].  
This will start the wireless setup wizard. To cancel, press [No].
3. The LCD displays an eight-digit PIN and the machine starts searching for a wireless LAN access point/router.
4. Using a computer connected to the network, in your browser's address bar, type the IP address of the device you are using as the Registrar (for example: http://192.168.1.2).
5. Go to the WPS settings page and type the PIN, and then follow the on-screen instructions.



- The Registrar is usually the wireless LAN access point/router.
- The settings page may differ depending on the brand of wireless LAN access point/router. For more information, see the instructions supplied with your wireless LAN access point/router.

**If you are using a Windows 10 or Windows 11 computer as a Registrar, complete the following steps:**

6. Do one of the following:
  - Windows 11  
Click  > **All apps** > **Windows Tools** > **Control Panel**. In the **Hardware and Sound** group, click **Add a device**.
  - Windows 10  
Click  > **Windows System** > **Control Panel**. In the **Hardware and Sound** group, click **Add a device**.



- To use a Windows 10 or Windows 11 computer as a Registrar, you must register it to your network in advance. For more information, see the instructions supplied with your wireless LAN access point/router.
- If you use Windows 10 or Windows 11 as a Registrar, you can install the printer driver after the wireless configuration by following the on-screen instructions. To install the driver and software necessary to use your machine, go to your model's **Downloads** page at [support.brother.com/downloads](http://support.brother.com/downloads).

7. Select your machine and click **Next**.
8. Type the PIN displayed on the machine's LCD, and then click **Next**.
9. Click **Close**.

If your wireless device is connected successfully, the machine's LCD displays [Connected]. Press [OK].

You have completed the wireless network setup. To install the drivers or the application necessary for operating your machine, go to your model's **Downloads** page at [support.brother.com/downloads](http://support.brother.com/downloads).

## Related Information

- [Use the Wireless Network](#)

### Related Topics:

- [Wireless LAN Report Error Codes](#)

## Configure Your Machine for a Wireless Network When the SSID Is Not Broadcast

**Related Models:** HL-L5210DW/HL-L6210DW/HL-L6410DN/HL-L6415DW

### NOTE

(HL-L6410DN)

The wireless network connection can be used only when the optional Wireless Module is installed.

>> [HL-L5210DW/HL-L6210DW](#)

>> [HL-L6410DN/HL-L6415DW](#)

### HL-L5210DW/HL-L6210DW

Before configuring your machine, we recommend writing down your wireless network settings. You will need this information before you continue with the configuration.

1. Check and write down the current wireless network settings.

Network Name (SSID)

Authentication Method	Encryption Mode	Network Key
Open System	NONE	-
	WEP	
Shared Key	WEP	
WPA/WPA2-PSK	AES	
	TKIP	
WPA3-SAE	AES	

For example:

Network Name (SSID)
HELLO

Authentication Method	Encryption Mode	Network Key
WPA2-PSK	AES	12345678



If your router uses WEP encryption, enter the key used as the first WEP key. Your Brother machine supports the use of the first WEP key only.

2. Press ▲ or ▼ to select the [Network] option, and then press **OK**.
3. Press ▲ or ▼ to select the [WLAN (Wi-Fi)] option, and then press **OK**.
4. Press ▲ or ▼ to select the [Find Network] option, and then press **OK**.
5. When [WLAN Enable?] appears, select On.  
This will start the wireless setup wizard.
6. The machine will search for your network and display a list of available SSIDs. Press ▲ or ▼ to select the [<New SSID>] option, and then press **OK**.

7. Enter the SSID name, and then press **OK**.
8. Press **▲** or **▼** to select the Authentication Method you want, and then press **OK**.
9. Do one of the following:
  - If you selected the [Open System] option, press **▲** or **▼** to select the Encryption Type [None] or [WEP], and then press **OK**.  
If you selected the [WEP] option for Encryption Type, enter the WEP key, and then press **OK**.
  - If you selected the [Shared Key] option, enter the WEP key, and then press **OK**.
  - If you selected the [WPA-Personal] option, press **▲** or **▼** to select the Encryption Type [TKIP+AES] or [AES], and then press **OK**.  
Enter the WPA™ key, and then press **OK**.
  - If you selected the [WPA3-SAE] option, press **▲** or **▼** to select the Encryption Type [AES], and then press **OK**.  
Enter the WPA™ key, and then press **OK**.



Your Brother machine supports the use of the first WEP key only.

10. To apply the settings, select [Yes].
11. The machine will attempt to connect to the wireless device you have selected.

If your wireless device is connected successfully, the machine's LCD displays [Connected].

You have completed the wireless network setup. To install the drivers and software necessary to use your machine, go to your model's **Downloads** page at [support.brother.com/downloads](http://support.brother.com/downloads).

## HL-L6410DN/HL-L6415DW

Before configuring your machine, we recommend writing down your wireless network settings. You will need this information before you continue with the configuration.

1. Check and write down the current wireless network settings.

Network Name (SSID)

Authentication Method	Encryption Mode	Network Key
Open System	NONE	-
	WEP	
Shared Key	WEP	
WPA/WPA2-PSK	AES	
	TKIP	
WPA3-SAE	AES	


For example:

Network Name (SSID)
HELLO

Authentication Method	Encryption Mode	Network Key
WPA2-PSK	AES	12345678



If your router uses WEP encryption, enter the key used as the first WEP key. Your Brother machine supports the use of the first WEP key only.

- 
2. Press  [Settings] > [All Settings] > [Network] > [WLAN (Wi-Fi)] > [Find Wi-Fi Network].
  3. When [Enable WLAN?] appears, press [Yes].  
This will start the wireless setup wizard. To cancel, press [No].
  4. The machine will search for your network and display a list of available SSIDs. Press ▲ or ▼ to display the [<New SSID>] option.
  5. Press [<New SSID>], and then press [OK].
  6. Enter the SSID name, and then press [OK].
  7. Select the Authentication Method.
  8. Do one of the following:
    - If you selected the [Open System] option, press [None] or [WEP].  
If you selected the [WEP] option for Encryption type, enter the WEP key, and then press [OK].
    - If you selected the [Shared Key] option, enter the WEP key, and then press [OK].
    - If you selected the [WPA/WPA2-PSK] option, press [TKIP+AES] or [AES].  
Enter the WPA™ key, and then press [OK].
    - If you selected the [WPA3-SAE] option, press [AES].  
Enter the WPA™ key, and then press [OK].



---

Your Brother machine supports the use of the first WEP key only.

---

9. The machine attempts to connect to the wireless device you have selected.

If your wireless device is connected successfully, the machine's LCD displays [Connected]. Press [OK].

You have completed the wireless network setup. To install the drivers or the application necessary for operating your machine, go to your model's **Downloads** page at [support.brother.com/downloads](http://support.brother.com/downloads).



## Related Information

- [Use the Wireless Network](#)

### Related Topics:

- [I Cannot Complete the Wireless Network Setup Configuration](#)
  - [How to Enter Text on Your Machine](#)
  - [Wireless LAN Report Error Codes](#)
-



## Configure Your Machine for an Enterprise Wireless Network

**Related Models:** HL-L5210DW/HL-L6210DW/HL-L6410DN/HL-L6415DW

### NOTE

(HL-L6410DN)

The wireless network connection can be used only when the optional Wireless Module is installed.

>> [HL-L5210DW/HL-L6210DW](#)

>> [HL-L6410DN/HL-L6415DW](#)

### HL-L5210DW/HL-L6210DW

Before configuring your machine, we recommend writing down your wireless network settings. You will need this information before you continue with the configuration.

1. Check and record the current wireless network settings.

Network Name (SSID)			
Authentication Method	Encryption Mode	User ID	Password
EAP-FAST/NONE	AES		
	TKIP		
EAP-FAST/MS-CHAPv2	AES		
	TKIP		
EAP-FAST/GTC	AES		
	TKIP		
PEAP/MS-CHAPv2	AES		
	TKIP		
PEAP/GTC	AES		
	TKIP		
EAP-TTLS/CHAP	AES		
	TKIP		
EAP-TTLS/MS-CHAP	AES		
	TKIP		
EAP-TTLS/MS-CHAPv2	AES		
	TKIP		
EAP-TTLS/PAP	AES		
	TKIP		
EAP-TLS	AES		-
	TKIP		-

For example:

Network Name (SSID)			
HELLO			

Authentication Method	Encryption Mode	User ID	Password
EAP-FAST/MS-CHAPv2	AES	Brother	12345678



- If you configure your machine using EAP-TLS authentication, you must install the client certificate issued by a CA before you start configuration. Contact your network administrator about the client certificate. If you have installed more than one certificate, we recommend writing down the certificate name you want to use.
- If you verify your machine using the common name of the server certificate, we recommend writing down the common name before you start configuration. Contact your network administrator about the common name of the server certificate.

2. Press **▲** or **▼** to select the [Network] option, and then press **OK**.
3. Press **▲** or **▼** to select the [WLAN (Wi-Fi)] option, and then press **OK**.
4. Press **▲** or **▼** to select the [Find Network] option, and then press **OK**.
5. When [WLAN Enable?] appears, select On.  
This will start the wireless setup wizard.
6. The machine will search for your network and display a list of available SSIDs. Press **▲** or **▼** to select the [<New SSID>] option, and then press **OK**.
7. Enter the SSID name, and then press **OK**.
8. Press **▲** or **▼** to select the Authentication Method you want, and then press **OK**.
9. Do one of the following:
  - If you selected the [EAP-FAST], [PEAP] or [EAP-TTLS] option, press **▲** or **▼** to select the Inner Authentication Method [NONE], [CHAP], [MS-CHAP], [MS-CHAPv2], [PAP] or [GTC], and then press **OK**.



Depending on your Authentication Method, the Inner Authentication Method selections differ.

Press **▲** or **▼** to select the Encryption Type [TKIP+AES] or [AES], and then press **OK**.

Press **▲** or **▼** to select the Verification Method [No Verification], [CA] or [CA+Server ID], and then press **OK**.

- If you selected the [CA+Server ID] option, enter the server ID, user ID and password (if required), and then press **OK** for each option.
- For other selections, enter the user ID and the Password, and then press **OK** for each option.



If you have not imported a CA certificate into your machine, the machine will display the message [No Verification].

- If you selected the [EAP-TLS] option, press **▲** or **▼** to select the Encryption Type [TKIP+AES] or [AES], and then press **OK**.  
When the machine displays a list of available Client Certificates, select the certificate you want.  
Press **▲** or **▼** to select the Verification Method [No Verification], [CA] or [CA+Server ID], and then press **OK**.
  - If you selected the [CA+Server ID] option, enter the server ID and user ID, and then press **OK** for each option.
  - For other selections, enter the user ID, and then press **OK**.

10. To apply the settings, press **▲**. To cancel, press **▼**.
11. The machine will attempt to connect to the wireless device you have selected.

If your wireless device is connected successfully, the machine's LCD displays [Connected].

You have completed the wireless network setup. To install the drivers or the application necessary for operating your machine, go to your model's **Downloads** page at [support.brother.com/downloads](http://support.brother.com/downloads).

## HL-L6410DN/HL-L6415DW

Before configuring your machine, we recommend writing down your wireless network settings. You will need this information before you continue with the configuration.

1. Check and record the current wireless network settings.


Network Name (SSID)			
Authentication Method	Encryption Mode	User ID	Password
EAP-FAST/NONE	AES		
	TKIP		
EAP-FAST/MS-CHAPv2	AES		
	TKIP		
EAP-FAST/GTC	AES		
	TKIP		
PEAP/MS-CHAPv2	AES		
	TKIP		
PEAP/GTC	AES		
	TKIP		
EAP-TTLS/CHAP	AES		
	TKIP		
EAP-TTLS/MS-CHAP	AES		
	TKIP		
EAP-TTLS/MS-CHAPv2	AES		
	TKIP		
EAP-TTLS/PAP	AES		
	TKIP		
EAP-TLS	AES		-
	TKIP		-

For example:

Network Name (SSID)			
HELLO			
Authentication Method	Encryption Mode	User ID	Password
EAP-FAST/MS-CHAPv2	AES	Brother	12345678



- If you configure your machine using EAP-TLS authentication, you must install the client certificate issued by a CA before you start configuration. Contact your network administrator about the client certificate. If you have installed more than one certificate, we recommend writing down the certificate name you want to use.
- If you verify your machine using the common name of the server certificate, we recommend writing down the common name before you start configuration. Contact your network administrator about the common name of the server certificate.

- 
2. Press  [Settings] > [All Settings] > [Network] > [WLAN (Wi-Fi)] > [Find Wi-Fi Network].
  3. When [Enable WLAN?] appears, press [Yes].  
This will start the wireless setup wizard. To cancel, press [No].
  4. The machine will search for your network and display a list of available SSIDs. Press ▲ or ▼ to display the [<New SSID>] option.
  5. Press [<New SSID>], and then press [OK].
  6. Enter the SSID name, and then press [OK].
  7. Select the Authentication Method.
  8. Do one of the following:
    - If you selected the [EAP-FAST], [PEAP] or [EAP-TTLS] option, press ▲ or ▼ to select the Inner Authentication Method [NONE], [CHAP], [MS-CHAP], [MS-CHAPv2], [GTC] or [PAP].



---

Depending on your Authentication Method, the Inner Authentication Method selections may differ.

---

Select the Encryption Type [TKIP+AES] or [AES].

Select the Verification Method [No Verification], [CA] or [CA + Server ID].

- If you selected the [CA + Server ID] option, enter the server ID, user ID, and password (if required), and then press [OK] for each option.
- For other selections, enter the user ID and Password, and then press [OK] for each option.



---

If you have not imported a CA certificate into your machine, the machine displays [No Verification].

---

- If you selected the [EAP-TTLS] option, select the Encryption Type [TKIP+AES] or [AES].  
When the machine displays a list of available Client Certificates, select the certificate you want.  
Select the Verification Method [No Verification], [CA] or [CA + Server ID].
  - If you selected the [CA + Server ID] option, enter the server ID and user ID, and then press [OK] for each option.
  - For other selections, enter the user ID, and then press [OK].

9. The machine attempts to connect to the wireless device you have selected.

If your wireless device is connected successfully, the machine's LCD displays [Connected]. Press [OK].

You have completed the wireless network setup. To install the drivers or the application necessary for operating your machine, go to your model's **Downloads** page at [support.brother.com/downloads](http://support.brother.com/downloads).



## Related Information

- [Use the Wireless Network](#)

### Related Topics:

- [Wireless LAN Report Error Codes](#)
-

## Use Wi-Fi Direct®

**Related Models:** HL-L5210DW/HL-L6210DW/HL-L6410DN/HL-L6415DW

- [Wi-Fi Direct Overview](#)
- [Configure Your Wi-Fi Direct Network Manually](#)
- [Configure Wi-Fi Direct Network Using the Push Button Method](#)

## Wi-Fi Direct Overview

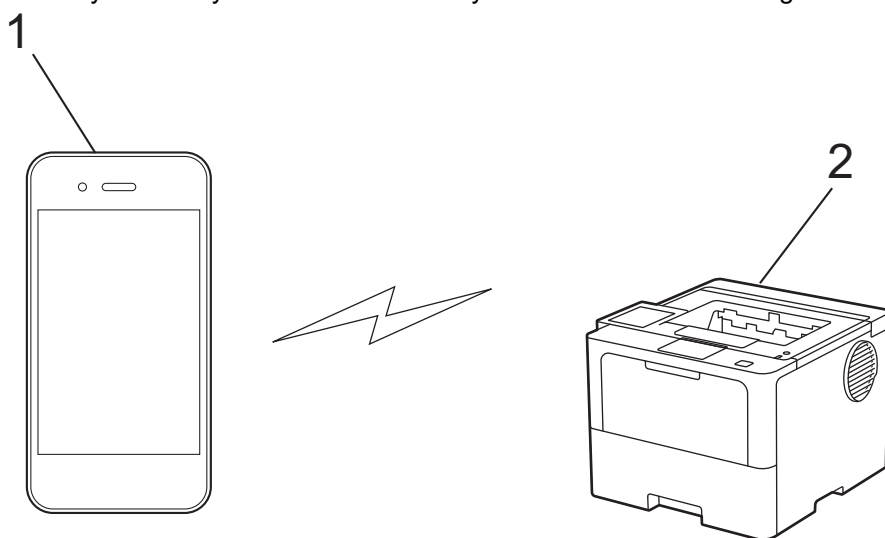
**Related Models:** HL-L5210DW/HL-L6210DW/HL-L6410DN/HL-L6415DW

### NOTE

(HL-L6410DN)

The wireless network connection can be used only when the optional Wireless Module is installed.

Wi-Fi Direct is one of the wireless configuration methods developed by the Wi-Fi Alliance®. It allows you to securely connect your mobile device to your machine without using a wireless router/access point.



1. Mobile device
2. Your machine



- You can use Wi-Fi Direct with either the wired or wireless network connection at the same time.
- The Wi-Fi Direct-supported device can become a Group Owner. When configuring the Wi-Fi Direct network, the Group Owner serves as an access point.



### Related Information

- [Use Wi-Fi Direct®](#)

#### Related Topics:

- [Configure Your Wi-Fi Direct Network Manually](#)
- [Configure Wi-Fi Direct Network Using the Push Button Method](#)

## Configure Your Wi-Fi Direct Network Manually

Related Models: HL-L5210DW/HL-L6210DW/HL-L6410DN/HL-L6415DW

### NOTE

(HL-L6410DN)

The wireless network connection can be used only when the optional Wireless Module is installed.

>> [HL-L5210DW/HL-L6210DW](#)

>> [HL-L6410DN/HL-L6415DW](#)

### HL-L5210DW/HL-L6210DW

If your mobile device does not support Wi-Fi Direct or WPS, you must configure a Wi-Fi Direct network manually.


1. Press ▲ or ▼ to select the [Network] option, and then press **OK**.
2. Press ▲ or ▼ to select the [Wi-Fi Direct] option, and then press **OK**.
3. Press ▲ or ▼ to select the [Manual] option, and then press **OK**.
4. When [Wi-Fi Direct On?] appears, select On.
5. The machine will display the SSID name and Password. Go to your mobile device's wireless network settings screen, select the SSID name, and then enter the password.
6. If your mobile device connects successfully, the machine's LCD displays [Connected]. You have completed the Wi-Fi Direct network setup.

### HL-L6410DN/HL-L6415DW

Configure the Wi-Fi Direct settings from the machine's control panel:



When the machine receives a Wi-Fi Direct request from your mobile device, the message [Wi-Fi Direct connection request received. Press [OK] to connect.] appears on the LCD. Press [OK] to connect.

1. Press  [Settings] > [All Settings] > [Network] > [Wi-Fi Direct] > [Manual].
2. The machine will display the SSID (Network Name) and Password (Network Key). Go to your mobile device's wireless network settings screen, select the SSID, and then enter the password.
3. When your mobile device connects successfully, the machine's LCD displays [Connected].
4. Press [Close].

### ✓ Related Information

- [Use Wi-Fi Direct®](#)

#### Related Topics:

- [Wi-Fi Direct Overview](#)
- [Configure Wi-Fi Direct Network Using the Push Button Method](#)

## Configure Wi-Fi Direct Network Using the Push Button Method

Related Models: HL-L5210DW/HL-L6210DW/HL-L6410DN/HL-L6415DW

### NOTE

(HL-L6410DN)

The wireless network connection can be used only when the optional Wireless Module is installed.

>> [HL-L5210DW/HL-L6210DW](#)

>> [HL-L6410DN/HL-L6415DW](#)

### HL-L5210DW/HL-L6210DW

If your mobile device supports Wi-Fi Direct, follow these steps to configure a Wi-Fi Direct network:

1. Press ▲ or ▼ to select the [Network] option, and then press **OK**.
2. Press ▲ or ▼ to select the [Wi-Fi Direct] option, and then press **OK**.
3. Press ▲ or ▼ to select the [Push Button] option, and then press **OK**.
4. When [Wi-Fi Direct On?] appears, select On.




If your mobile device does not support Wi-Fi Direct, do the following:

- a. Press ▲ or ▼ to select the [Network] option, and then press **OK**.
  - b. Press ▲ or ▼ to select the [Wi-Fi Direct] option, and then press **OK**.
  - c. Press ▲ or ▼ to select the [Group Owner] option, and then press **OK**.
  - d. Press ▲ or ▼ to select the [On] option, and then press **OK**.
  - e. Press ▲ or ▼ to select the [Push Button] option, and then press **OK**.
5. Activate Wi-Fi Direct on your mobile device (see your mobile device's user's guide for instructions) when [Activate Wi-Fi Direct on other device and press OK.] appears on the machine's LCD. Press **OK** on your machine.  
This will start the Wi-Fi Direct setup.
  6. Do one of the following:
    - If your mobile device displays a list of machines with Wi-Fi Direct enabled, select your Brother machine.
    - If your Brother machine displays a list of mobile devices with Wi-Fi Direct enabled, select your mobile device. Press ▲ or ▼ to select the mobile device you want to connect to and press **OK**. To search for available devices again, select [<Rescan>], and then press **OK**.
  7. If your mobile device connects successfully, the machine's LCD displays [Connected]. You have completed the Wi-Fi Direct network setup.

### HL-L6410DN/HL-L6415DW




When the machine receives a Wi-Fi Direct request from your mobile device, the message [Wi-Fi Direct connection request received. Press [OK] to connect.] appears on the LCD. Press [OK] to connect.

1. Press  [Settings] > [All Settings] > [Network] > [Wi-Fi Direct] > [Push Button] on your machine's LCD.





If your mobile device does not support Wi-Fi Direct, do the following:

- a. Press  [Settings] > [All Settings] > [Network] > [Wi-Fi Direct] > [Group Owner], and then press [On].
  - b. Press ▲ or ▼ to select the [Push Button].
- 
2. When the [Activate Wi-Fi Direct on other device. Then Press [OK].] message appears, turn your mobile device's Wi-Fi Direct function on (for more information, see your mobile device's user's guide). Press [OK] on your machine.
  3. Do one of the following:
    - If your mobile device displays a list of machines with Wi-Fi Direct enabled, select your Brother machine.
    - If your Brother machine displays a list of mobile devices with Wi-Fi Direct enabled, select your mobile device. To search for available devices again, press [Rescan].
  4. When your mobile device connects successfully, the machine's LCD displays [Connected].
  5. Press [Close].



## Related Information

- [Use Wi-Fi Direct®](#)

### Related Topics:

- [Wi-Fi Direct Overview](#)
- [Configure Your Wi-Fi Direct Network Manually](#)

## Enable/Disable Wireless LAN

**Related Models:** HL-L5210DW/HL-L6210DW/HL-L6410DN/HL-L6415DW

### NOTE

(HL-L6410DN)

The wireless network connection can be used only when the optional Wireless Module is installed.



>> [HL-L5210DW/HL-L6210DW](#)

>> [HL-L6410DN/HL-L6415DW](#)

### HL-L5210DW/HL-L6210DW

1. Press ▲ or ▼ to select the [Network] option, and then press **OK**.
2. Press ▲ or ▼ to select the [WLAN (Wi-Fi)] option, and then press **OK**.
3. Press ▲ or ▼ to select the [WLAN Enable] option, and then press **OK**.
4. Do one of the following:
  - To enable Wi-Fi, select [On].
  - To disable Wi-Fi, select [Off].
5. Press **OK**.

### HL-L6410DN/HL-L6415DW

1. Press  [Settings] > [All Settings] > [Network] > [WLAN (Wi-Fi)].
2. Press ▲ or ▼ to select the [WLAN Enable] option. Press [WLAN Enable].
3. Do one of the following:
  - To enable Wi-Fi, select [On].
  - To disable Wi-Fi, select [Off].
4. Press .



### Related Information

- [Wireless Network Settings](#)

## Print the WLAN Report

**Related Models:** HL-L5210DW/HL-L6210DW/HL-L6410DN/HL-L6415DW

### NOTE

(HL-L6410DN)

The wireless network connection can be used only when the optional Wireless Module is installed.

The WLAN Report shows your machine's wireless status. If the wireless connection fails, check the error code on the printed report.

>> [HL-L5210DW/HL-L6210DW](#)



>> [HL-L6410DN/HL-L6415DW](#)

### HL-L5210DW/HL-L6210DW

1. Press ▲ or ▼ to select the [Print Reports] option, and then press **OK**.
2. Press ▲ or ▼ to select the [WLAN Report] option, and then press **OK**.
3. Press **Go**.

The machine will print the WLAN Report.

### HL-L6410DN/HL-L6415DW

1. Press  [Settings] > [All Settings] > [Print Reports] > [WLAN Report].
2. Press [Yes].
3. Press .

If the WLAN Report does not print, check your machine for errors. If there are no visible errors, wait for one minute and then try to print the report again.



### Related Information

- [Wireless Network Settings](#)
  - [Wireless LAN Report Error Codes](#)

#### Related Topics:

- [My Machine Cannot Print over the Network](#)
- [I Want to Check that My Network Devices are Working Correctly](#)

## Wireless LAN Report Error Codes

**Related Models:** HL-L5210DW/HL-L6210DW/HL-L6410DN/HL-L6415DW

### NOTE

For certain models, the wireless network connection can be used only when the optional Wireless Module is installed.

If the Wireless LAN Report shows that the connection failed, check the error code on the printed report and see the corresponding instructions in the table:

Error Code	Problem and Recommended Solutions
TS-01	<p>The WLAN (Wi-Fi) is not enabled.</p> <p>Check the following points and try to set up your wireless connection again:</p> <ul style="list-style-type: none"><li>• Enable the WLAN setting on your machine.</li><li>• If a network cable is connected to your machine, disconnect it.</li></ul>
TS-02	<p>The wireless router/access point cannot be detected.</p> <p>Check the following points and try to set up your wireless connection again:</p> <ul style="list-style-type: none"><li>• Make sure the wireless router/access point is on.</li><li>• Temporarily place your machine closer to the wireless router/access point when you are configuring the wireless settings.</li><li>• If your wireless router/access point is using MAC address filtering, confirm that the MAC address of the machine is allowed in the filter. You can find the MAC address by printing the Network Configuration Report.</li><li>• If you manually entered the Network Name (SSID) and security information (authentication method/encryption method), the information may be incorrect. Check the Network Name and security information again and re-enter the correct information.</li><li>• Restart your wireless router/access point. If you cannot find the Network Name (SSID) and security information, see the documentation provided with your wireless router/access point, or contact the router manufacturer, your system administrator, or Internet service provider.</li></ul>
TS-03	<p>The wireless enterprise network and security settings you entered may be incorrect.</p> <p>Check the following points and try to set up your wireless connection again:</p> <p>Verify the following information:</p> <ul style="list-style-type: none"><li>- Network Name (SSID) you selected to configure your machine.</li><li>- Security information you selected to configure your machine (such as the authentication method, encryption method, or User ID).</li></ul> <p>If you still cannot find the Network Name (SSID) and security information, see the documentation provided with your wireless router/access point, or contact the router manufacturer, your system administrator, or Internet service provider.</p>

Error Code	Problem and Recommended Solutions
TS-04	<p>Your machine does not support the authentication and encryption methods used by the selected wireless router/access point.</p> <p>For infrastructure mode (Most common)</p> <p>Change the authentication and encryption methods of the wireless router/access point. Your machine supports the following authentication and encryption methods:</p> <ul style="list-style-type: none"> <li>• WPA-Personal: TKIP / AES</li> <li>• WPA2-Personal: TKIP / AES</li> <li>• WPA3-Personal: AES</li> <li>• OPEN: WEP / NONE (without encryption)</li> <li>• Shared key: WEP</li> </ul> <p>If your issue is not solved, the Network Name (SSID) or security settings you entered may be incorrect. Check that all wireless network settings are correct for your network.</p>
TS-05	<p>The Network Name (SSID) and Network Key (Password) are incorrect.</p> <p>Check the following points and try to set up your wireless connection again:</p> <ul style="list-style-type: none"> <li>• Confirm the Network Name (SSID) and Network Key (Password).</li> <li>• If your Network Key contains upper-case and lower-case letters, make sure you type them correctly.</li> <li>• If you cannot find the Network Name (SSID) and security information, see the documentation provided with your wireless router/access point, or contact the router manufacturer, your system administrator, or Internet service provider.</li> <li>• If your wireless router/access point uses WEP encryption with multiple WEP keys, write down and use only the first WEP key.</li> </ul>
TS-06	<p>The wireless security information (authentication method/encryption method/Network Key (Password)) is incorrect.</p> <p>Check the following points and try to set up your wireless connection again:</p> <ul style="list-style-type: none"> <li>• Confirm the Network Key. If your Network Key contains upper-case and lower-case letters, make sure you type them correctly.</li> <li>• Confirm whether the authentication method entered and the authentication method or encryption method supported by the wireless router/access point are the same.</li> <li>• If the network key, authentication method, and encryption method have been confirmed, restart your wireless router/access point and the machine.</li> <li>• If your wireless router/access point's Stealth Mode is on, you may need to disable it to connect to the wireless network.</li> </ul> <p>If you cannot find the Network Name (SSID) and security information, see the documentation provided with your wireless router/access point, or contact the router manufacturer, your system administrator, or Internet service provider.</p>
TS-07	<p>The machine cannot detect a wireless router/access point that has WPS (Wi-Fi Protected Setup) enabled.</p> <p>Check the following points and try again:</p> <ul style="list-style-type: none"> <li>• To check if your wireless router/access point supports WPS, look for the WPS symbol displayed on the router/access point. For more information, see the documentation provided with your wireless router/access point.</li> <li>• To set up your wireless connection using WPS, you must configure both your machine and the wireless router/access point. For more information, see the user's guide.</li> <li>• If you do not know how to set up your wireless router/access point using WPS, see the documentation provided with your wireless router/access point, or contact the router manufacturer, your system administrator, or Internet service provider.</li> </ul>

Error Code	Problem and Recommended Solutions
TS-08	<p>Two or more wireless routers or access points that have WPS enabled are detected.</p> <p>Check the following points and try again:</p> <ul style="list-style-type: none"><li>• Make sure that only one wireless router/access point within range has WPS enabled, and then try to connect again.</li><li>• Try to connect again after a few minutes to avoid interference from other access points/routers.</li></ul>



How to confirm wireless security information (SSID/authentication method/encryption method/Network Key) of your WLAN access point/router:

1. The default security settings may be provided on a label attached to the WLAN access point/router. Or the manufacturer's name or model number of the WLAN access point/router may be used as the default security settings.
2. See the documentation provided with your WLAN access point/router for information on how to find the security settings.
  - If the WLAN access point/router is set to not broadcast the SSID, the SSID will not automatically be detected. You will have to manually enter the SSID name.
  - The Network key may also be described as the Password, Security Key, or Encryption Key.

If you do not know the SSID and wireless security settings of your WLAN access point/router or how to change the configuration, see the documentation provided with your WLAN access point/router, ask the manufacturer of your access point/router or ask your Internet provider or network administrator.



## Related Information

- [Print the WLAN Report](#)

### Related Topics:

- [My Machine Cannot Print over the Network](#)
- [I Want to Check that My Network Devices are Working Correctly](#)
- [Configure Your Machine for a Wireless Network Using the One Push Method of Wi-Fi Protected Setup™ \(WPS\)](#)
- [Configure Your Machine for a Wireless Network Using the PIN Method of Wi-Fi Protected Setup™ \(WPS\)](#)
- [Configure Your Machine for a Wireless Network Using the Machine's Control Panel Setup Wizard](#)
- [Configure Your Machine for a Wireless Network When the SSID Is Not Broadcast](#)
- [Configure Your Machine for an Enterprise Wireless Network](#)

## Network Features

- [Enable/Disable Web Based Management Using the Control Panel](#)
- [Configure the Proxy Server Settings Using Web Based Management](#)
- [Print the Network Configuration Report](#)
- [Synchronise Time with the SNTP Server Using Web Based Management](#)
- [Gigabit Ethernet \(Wired Network Only\)](#)
- [Reset the Network Settings to the Factory Settings](#)

## Enable/Disable Web Based Management Using the Control Panel

>> [HL-L5210DN/HL-L5210DW/HL-L6210DW](#)

>> [HL-L6410DN/HL-L6415DW](#)


### HL-L5210DN/HL-L5210DW/HL-L6210DW

1. Press ▲ or ▼ to select the [Network] option, and then press **OK**.
2. Press ▲ or ▼ to select the [Web Based Mgmt] option, and then press **OK**.
3. Press ▲ or ▼ to select the option you want, and then press **OK**.



If you enable this function, make sure you specify the method of connecting to Web Based Management.

### HL-L6410DN/HL-L6415DW

1. Press  [Settings] > [All Settings] > [Network] > [Web Based Mgmt].
2. Press to select the option you want.



If you enable this function, make sure you specify the method of connecting to Web Based Management.



### Related Information

- [Network Features](#)

#### Related Topics:

- [Print an Email Attachment](#)



## Configure the Proxy Server Settings Using Web Based Management

**Related Models:** HL-L6410DN/HL-L6415DW

If your network uses a proxy server, the following proxy server information must be configured using Web Based Management:

- Proxy server address
- Port number
- User Name
- Password



- We recommend using the latest version of the following web browsers:
  - Microsoft Edge, Firefox, and Google Chrome™ for Windows
  - Safari, Firefox, and Google Chrome™ for Mac
  - Google Chrome™ for Android™
  - Safari and Google Chrome™ for iOS
- Ensure that JavaScript and Cookies are always enabled, regardless of which browser you use.

1. Start your web browser.
2. Type "https://machine's IP address" in your browser's address bar (where "machine's IP address" is your machine's IP address).

For example:

https://192.168.1.2

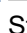
3. If required, type the password in the **Login** field, and then click **Login**.



The default password to manage this machine's settings is located on the back of the machine and marked "Pwd".

4. Go to the navigation menu, and then click **Network > Network > Protocol**.



Start from , if the navigation menu is not shown on the left side of the screen.

5. Make sure the **Proxy** checkbox is selected, and then click **Submit**.
6. In the **Proxy** field, click **Advanced Settings**.
7. Enter the proxy server information.
8. Click **Submit**.



### Related Information

- [Network Features](#)

#### Related Topics:

- [Register Your Machine with Universal Print Using Web Based Management](#)
- [Configure the Proxy Server Settings Using the Machine's Control Panel](#)

## Print the Network Configuration Report

The Network Configuration Report lists the network configuration, including the network print server settings.





- The Node Name appears on the Network Configuration Report. The default Node Name is "BRN123456abcdef" for a wired network or "BRW123456abcdef" for a wireless network (where "123456abcdef" is your machine's MAC Address / Ethernet Address.)
- If the IP Address on the Network Configuration Report shows 0.0.0.0, wait for one minute and try printing it again.
- You can find your machine's settings, such as the IP address, subnet mask, node name, and MAC Address on the report, for example:
  - IP address: 192.168.0.5
  - Subnet mask: 255.255.255.0
  - Node name: BRN000ca0000499
  - MAC Address: 00-0c-a0-00-04-99

>> [HL-L5210DN/HL-L5210DW/HL-L6210DW](#)  
>> [HL-L6410DN/HL-L6415DW](#)

### HL-L5210DN/HL-L5210DW/HL-L6210DW

1. Press ▲ or ▼ to select the [Print Reports] option, and then press **OK**.
2. Press ▲ or ▼ to select [Network Config].
3. Press **OK**.
4. Press **Go**.

### HL-L6410DN/HL-L6415DW

1. Press  [Settings] > [All Settings] > [Print Reports] > [Network Configuration].
2. Press [Yes].
3. Press .

### Related Information

- [Network Features](#)

#### Related Topics:

- [Check Your Machine's Network Settings](#)
- [Use the Network Connection Repair Tool \(Windows\)](#)
- [Access Web Based Management](#)
- [Error Messages](#)
- [I Want to Check that My Network Devices are Working Correctly](#)
- [Configure the Gigabit Ethernet Settings Using Web Based Management](#)

## Synchronise Time with the SNTP Server Using Web Based Management

The Simple Network Time Protocol (SNTP) is used to synchronise the time used by the machine for authentication with the SNTP time server. You can automatically or manually synchronise the machine's time with the Coordinated Universal Time (UTC) provided by the SNTP time server.

- [Configure Date and Time Using Web Based Management](#)
- [Configure the SNTP Protocol Using Web Based Management](#)

## Configure Date and Time Using Web Based Management

Configure date and time to synchronise the time used by the machine with the SNTP time server.

This feature is not available in some countries.

1. Start your web browser.
2. Type "https://machine's IP address" in your browser's address bar (where "machine's IP address" is your machine's IP address).

For example:

https://192.168.1.2

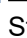
3. If required, type the password in the **Login** field, and then click **Login**.



The default password to manage this machine's settings is located on the back of the machine and marked "Pwd".

4. Go to the navigation menu, and then click **Administrator > Date&Time**.



Start from , if the navigation menu is not shown on the left side of the screen.

5. Verify the **Time Zone** settings.



Select the time difference between your location and UTC from the **Time Zone** drop-down list. For example, the time zone for Eastern Time in the USA and Canada is UTC-05:00.

6. Click **Submit**.



### Related Information

- [Synchronise Time with the SNTP Server Using Web Based Management](#)

#### Related Topics:

- [Register Your Machine with Universal Print Using Web Based Management](#)
- [Error Messages When Using the Brother Web Connect Feature](#)

## Configure the SNTP Protocol Using Web Based Management

Configure the SNTP protocol to synchronise the time the machine uses for authentication with the time kept by the SNTP time server.

1. Start your web browser.
2. Type "https://machine's IP address" in your browser's address bar (where "machine's IP address" is your machine's IP address).

For example:

https://192.168.1.2


3. If required, type the password in the **Login** field, and then click **Login**.



The default password to manage this machine's settings is located on the back of the machine and marked "Pwd".

4. Go to the navigation menu, and then click **Network > Network > Protocol**.



Start from , if the navigation menu is not shown on the left side of the screen.

5. Select the **SNTP** checkbox to activate the settings.
6. Click **Submit**.
7. Restart your Brother machine to activate the configuration.
8. Next to the SNTP checkbox, click **Advanced Settings**.
9. Configure the settings.

Option	Description
<b>Status</b>	Displays whether the SNTP protocol is enabled or disabled.
<b>Synchronization Status</b>	Confirm the latest synchronisation status.
<b>SNTP Server Method</b>	Select <b>AUTO</b> or <b>STATIC</b> . <ul style="list-style-type: none"><li>• <b>AUTO</b> If you have a DHCP server in your network, the SNTP server will obtain the address from that server automatically.</li><li>• <b>STATIC</b> Type the address you want to use.</li></ul>
<b>Primary SNTP Server Address</b> <b>Secondary SNTP Server Address</b>	Type the server address (up to 64 characters). The secondary SNTP server address is used as a backup to the primary SNTP server address. If the primary server is unavailable, the machine will contact the secondary SNTP server.
<b>Primary SNTP Server Port</b> <b>Secondary SNTP Server Port</b>	Type the port number (1-65535). The secondary SNTP server port is used as a backup to the primary SNTP server port. If the primary port is unavailable, the machine will contact the secondary SNTP port.
<b>Synchronization Interval</b>	Type the number of hours between server synchronisation attempts (1-168 hours).

10. Click **Submit**.



### Related Information

- [Synchronise Time with the SNTP Server Using Web Based Management](#)

## Gigabit Ethernet (Wired Network Only)

Your machine supports 1000BASE-T Gigabit Ethernet. To connect to a 1000BASE-T Gigabit Ethernet Network, you must set the machine's Ethernet link mode to Auto from the machine's control panel or Web Based Management (web browser).



---

Use a Category 5e (or greater) network cable. The machine can automatically negotiate the highest supported network speed, for example: to achieve 1000BASE-T network speeds, all connecting infrastructure, including network switches and cables must also support 1000BASE-T speeds. Otherwise the machine will communicate at either 10BASE-T or 100BASE-TX.

---



### Related Information

- [Network Features](#)
  - [Configure the Gigabit Ethernet Settings Using Web Based Management](#)
-

## Configure the Gigabit Ethernet Settings Using Web Based Management

1. Start your web browser.
2. Type "https://machine's IP address" in your browser's address bar (where "machine's IP address" is your machine's IP address).

For example:

https://192.168.1.2

3. If required, type the password in the **Login** field, and then click **Login**.



---

The default password to manage this machine's settings is located on the back of the machine and marked "Pwd".

---

4. Go to the navigation menu, and then click **Network > Wired > Ethernet**.



---

Start from ☰, if the navigation menu is not shown on the left side of the screen.

---

5. Select **Auto** from the **Ethernet Mode** drop-down list.
6. Click **Submit**.
7. To enable the settings, restart your machine.

You can confirm your settings by printing the Network Configuration Report.



### Related Information

- [Gigabit Ethernet \(Wired Network Only\)](#)

#### Related Topics:

- [Print the Network Configuration Report](#)
-

## Reset the Network Settings to the Factory Settings

You can use your machine's control panel to reset the machine's network settings to its default factory settings. This resets all information, such as the password and IP address.



- This feature restores all network settings to the factory settings.
- You can also reset the print server to its factory settings using Web Based Management.

>> [HL-L5210DN/HL-L5210DW/HL-L6210DW](#)


>> [HL-L6410DN/HL-L6415DW](#)

### HL-L5210DN/HL-L5210DW/HL-L6210DW

1. Press ▲ or ▼ to select the [Network] option, and then press **OK**.
2. Press ▲ or ▼ to select the [Network Reset] option, and then press **OK**.
3. Follow the machine's instruction to reset the network settings.

The machine will restart.

### HL-L6410DN/HL-L6415DW

1. Press  [Settings] > [All Settings] > [Network] > [Network Reset].
2. [Reboot OK?] appears. Press [Yes] for two seconds to confirm.

The machine will restart.

### Related Information

- [Network Features](#)

#### Related Topics:

- [Reset Functions](#)



## Security

- [Before Using Network Security Features](#)
- [Configure Certificates for Device Security](#)
- [Use SSL/TLS](#)
- [Use SNMPv3](#)
- [Use IPsec](#)
- [Use IEEE 802.1x Authentication for a Wired or a Wireless Network](#)
- [Use Active Directory Authentication](#)
- [Use LDAP Authentication](#)
- [Use Secure Function Lock 3.0](#)
- [Send an Email Securely](#)
- [Store Print Log to Network](#)
- [Lock the Machine Settings from the Control Panel](#)
- [Use Global Network Detection Features](#)

## Before Using Network Security Features

Your machine employs some of the latest network security and encryption protocols available today. These network features can be integrated into your overall network security plan to help protect your data and prevent unauthorised access to the machine.



---

We recommend disabling the Telnet, FTP server, and TFTP protocols. Accessing the machine using these protocols is not secure.

---



### Related Information

- [Security](#)
  - [Network Security](#)
    - [Disable Unnecessary Protocols](#)
-

## Disable Unnecessary Protocols

1. Start your web browser.
2. Type "https://machine's IP address" in your browser's address bar (where "machine's IP address" is your machine's IP address).

For example:

https://192.168.1.2


3. If required, type the password in the **Login** field, and then click **Login**.



The default password to manage this machine's settings is located on the back of the machine and marked "Pwd".

4. Go to the navigation menu, and then click **Network > Network > Protocol**.



Start from , if the navigation menu is not shown on the left side of the screen.

5. Clear any unnecessary protocol checkboxes to disable them.
6. Click **Submit**.
7. Restart your Brother machine to activate the configuration.



### Related Information

- [Before Using Network Security Features](#)

## Configure Certificates for Device Security

You must configure a certificate to manage your networked machine securely using SSL/TLS. You must use Web Based Management to configure a certificate.

- [Supported Security Certificate Features](#)
- [Step by Step Guide for Creating and Installing a Certificate](#)
- [Create a Self-signed Certificate](#)
- [Create CSR and Install a Certificate from a Certificate Authority \(CA\)](#)
- [Import and Export the Certificate and Private Key](#)
- [Import and Export a CA Certificate](#)
- [Manage Multiple Certificates](#)

## Supported Security Certificate Features

Your machine supports the use of multiple security certificates, which allows secure management, authentication, and communication with the machine. The following security certificate features can be used with the machine:

- SSL/TLS communication
- SSL communication for SMTP
- IEEE 802.1x authentication
- IPsec

Your machine supports the following:

- Pre-installed certificate

Your machine has a pre-installed self-signed certificate. This certificate enables you to use SSL/TLS communication without creating or installing a different certificate.



The pre-installed self-signed certificate protects your communication up to a certain level. We recommend using a certificate that is issued by a trusted organisation for better security.

- Self-signed certificate

This print server issues its own certificate. Using this certificate, you can easily use the SSL/TLS communication without creating or installing a different certificate from a CA.

- Certificate from a Certificate Authority (CA)

There are two methods for installing a certificate from a CA. If you already have a certificate from a CA or if you want to use a certificate from an external trusted CA:

- When using a Certificate Signing Request (CSR) from this print server.
- When importing a certificate and a private key.

- Certificate Authority (CA) Certificate

To use a CA certificate that identifies the CA and owns its private key, you must import that CA certificate from the CA before configuring the security features of the Network.



- If you are going to use SSL/TLS communication, we recommend contacting your system administrator first.
- When you reset the print server back to its default factory settings, the certificate and the private key that are installed will be deleted. If you want to keep the same certificate and the private key after resetting the print server, export them before resetting, and then reinstall them.



### Related Information

- [Configure Certificates for Device Security](#)

## Step by Step Guide for Creating and Installing a Certificate

There are two options when choosing a security certificate: use a self-signed certificate or use a certificate from a Certificate Authority (CA).

### Option 1

#### Self-Signed Certificate

1. Create a self-signed certificate using Web Based Management.
2. Install the self-signed certificate on your computer.

### Option 2

#### Certificate from a CA

1. Create a Certificate Signing Request (CSR) using Web Based Management.
2. Install the certificate issued by the CA on your Brother machine using Web Based Management.
3. Install the certificate on your computer.



#### Related Information

- [Configure Certificates for Device Security](#)

## Create a Self-signed Certificate

1. Start your web browser.
2. Type "https://machine's IP address" in your browser's address bar (where "machine's IP address" is your machine's IP address).

For example:

https://192.168.1.2



- If you are using a Domain Name System or enable a NetBIOS name, you can type another name, such as "SharedPrinter" instead of the IP address.

For example: https://SharedPrinter

- If you enable a NetBIOS name, you can also use the node name.

For example: https://brn123456abcdef

- The NetBIOS name can be found in the Network Configuration Report.

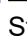
3. If required, type the password in the **Login** field, and then click **Login**.



The default password to manage this machine's settings is located on the back of the machine and marked "Pwd".

4. Go to the navigation menu, and then click **Network > Security > Certificate**.



Start from , if the navigation menu is not shown on the left side of the screen.

5. Click **Create Self-Signed Certificate**.
6. Enter a **Common Name** and a **Valid Date**.
  - The length of the **Common Name** is less than 64 bytes. Enter an identifier, such as an IP address, node name, or domain name to use when accessing this machine through SSL/TLS communication. The node name is displayed by default.
  - A warning will appear if you use the IPPS or HTTPS protocol and enter a different name in the URL than the **Common Name** that was used for the self-signed certificate.
7. Select your setting from the **Public Key Algorithm** drop-down list. The default setting is **RSA(2048bit)**.
8. Select your setting from the **Digest Algorithm** drop-down list. The default setting is **SHA256**.
9. Click **Submit**.



### Related Information

- [Configure Certificates for Device Security](#)

## **Create CSR and Install a Certificate from a Certificate Authority (CA)**

If you already have a certificate from an external trusted CA, you can store the certificate and private key on the machine and manage them by importing and exporting. If you do not have a certificate from an external trusted CA, create a Certificate Signing Request (CSR), send it to a CA for authentication, and install the returned certificate on your machine.

- [Create a Certificate Signing Request \(CSR\)](#)
- [Install a Certificate on Your Machine](#)



## Create a Certificate Signing Request (CSR)

A Certificate Signing Request (CSR) is a request sent to a Certificate Authority (CA) to authenticate the credentials contained within the certificate.

We recommend installing a Root Certificate from the CA on your computer before creating the CSR.

1. Start your web browser.
2. Type "https://machine's IP address" in your browser's address bar (where "machine's IP address" is your machine's IP address).

For example:

https://192.168.1.2



- If you are using a Domain Name System or enable a NetBIOS name, you can type another name, such as "SharedPrinter" instead of the IP address.

For example: https://SharedPrinter

- If you enable a NetBIOS name, you can also use the node name.

For example: https://brn123456abcdef

- The NetBIOS name can be found in the Network Configuration Report.

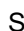
3. If required, type the password in the **Login** field, and then click **Login**.



The default password to manage this machine's settings is located on the back of the machine and marked "Pwd".

4. Go to the navigation menu, and then click **Network > Security > Certificate**.



Start from , if the navigation menu is not shown on the left side of the screen.

5. Click **Create CSR**.
6. Type a **Common Name** (required) and add other information about your **Organization** (optional).



- Your company details are required so that a CA can confirm your identity and verify it to the outside world.
- The length of the **Common Name** must be less than 64 bytes. Enter an identifier, such as an IP address, node name, or domain name to use when accessing this machine through SSL/TLS communication. The node name is displayed by default. The **Common Name** is required.
- A warning will appear if you type a different name in the URL than the Common Name that was used for the certificate.
- The length of the **Organization**, the **Organization Unit**, the **City/Locality**, and the **State/Province** must be less than 64 bytes.
- The **Country/Region** should be a two-character ISO 3166 country code.
- If you are configuring an X.509v3 certificate extension, select the **Configure extended partition** checkbox, and then select **Auto (Register IPv4)** or **Manual**.

7. Select your setting from the **Public Key Algorithm** drop-down list. The default setting is **RSA(2048bit)**.
8. Select your setting from the **Digest Algorithm** drop-down list. The default setting is **SHA256**.
9. Click **Submit**.

The CSR appears on your screen. Save the CSR as a file or copy and paste it into an online CSR form offered by a Certificate Authority.

10. Click **Save**.



- Follow your CA's policy regarding the method to send a CSR to your CA.
  - If you are using the Enterprise root CA of Windows Server 2012/2012 R2/2016/2019/2022, we recommend using the Web Server for the certificate template to securely create the Client Certificate. If you are creating a Client Certificate for an IEEE 802.1x environment with EAP-TLS authentication, we recommend using User for the certificate template.
- 



### **Related Information**

- [Create CSR and Install a Certificate from a Certificate Authority \(CA\)](#)
-

## Install a Certificate on Your Machine

When you receive a certificate from a CA, follow the steps below to install it into the print server:

Only a certificate issued with your machine's CSR can be installed onto the machine. When you want to create another CSR, make sure that the certificate is installed before creating another CSR. Create another CSR only after installing the certificate on the machine. Otherwise, the CSR you created before installing will be invalid.

1. Start your web browser.
2. Type "https://machine's IP address" in your browser's address bar (where "machine's IP address" is your machine's IP address).

For example:

https://192.168.1.2



- If you are using a Domain Name System or enable a NetBIOS name, you can type another name, such as "SharedPrinter" instead of the IP address.

For example: https://SharedPrinter

- If you enable a NetBIOS name, you can also use the node name.

For example: https://brn123456abcdef

- The NetBIOS name can be found in the Network Configuration Report.

3. If required, type the password in the **Login** field, and then click **Login**.



The default password to manage this machine's settings is located on the back of the machine and marked "Pwd".

4. Go to the navigation menu, and then click **Network > Security > Certificate**.



Start from ☰, if the navigation menu is not shown on the left side of the screen.

5. Click **Install Certificate**.
6. Browse to the file that contains the certificate issued by the CA, and then click **Submit**.

The certificate has been created and saved in your machine's memory successfully.

To use SSL/TLS communication, the Root Certificate from the CA must be installed on your computer. Contact your network administrator.



### Related Information

- [Create CSR and Install a Certificate from a Certificate Authority \(CA\)](#)

## Import and Export the Certificate and Private Key

Store the certificate and private key on your machine and manage them by importing and exporting them.

- [Import a Certificate and Private Key](#)
- [Export the Certificate and Private Key](#)

## Import a Certificate and Private Key

1. Start your web browser.
2. Type "https://machine's IP address" in your browser's address bar (where "machine's IP address" is your machine's IP address).

For example:

https://192.168.1.2



- If you are using a Domain Name System or enable a NetBIOS name, you can type another name, such as "SharedPrinter" instead of the IP address.

For example: https://SharedPrinter

- If you enable a NetBIOS name, you can also use the node name.

For example: https://brn123456abcdef

- The NetBIOS name can be found in the Network Configuration Report.

3. If required, type the password in the **Login** field, and then click **Login**.



The default password to manage this machine's settings is located on the back of the machine and marked "Pwd".

4. Go to the navigation menu, and then click **Network > Security > Certificate**.



Start from ☰, if the navigation menu is not shown on the left side of the screen.

5. Click **Import Certificate and Private Key**.
6. Browse to the file you want to import.
7. Type the password if the file is encrypted, and then click **Submit**.

The certificate and private key are imported to your machine.



### Related Information

- [Import and Export the Certificate and Private Key](#)

## Export the Certificate and Private Key

1. Start your web browser.
2. Type "https://machine's IP address" in your browser's address bar (where "machine's IP address" is your machine's IP address).

For example:

https://192.168.1.2



- If you are using a Domain Name System or enable a NetBIOS name, you can type another name, such as "SharedPrinter" instead of the IP address.

For example: https://SharedPrinter

- If you enable a NetBIOS name, you can also use the node name.

For example: https://brn123456abcdef

- The NetBIOS name can be found in the Network Configuration Report.

3. If required, type the password in the **Login** field, and then click **Login**.



The default password to manage this machine's settings is located on the back of the machine and marked "Pwd".

4. Go to the navigation menu, and then click **Network > Security > Certificate**.



Start from ☰, if the navigation menu is not shown on the left side of the screen.

5. Click **Export** shown with **Certificate List**.
6. Enter the password if you want to encrypt the file.  
If a blank password is used, the output is not encrypted.
7. Enter the password again for confirmation, and then click **Submit**.
8. Click **Save**.

The certificate and private key are exported to your computer.

You can also import the certificate to your computer.



### Related Information

- [Import and Export the Certificate and Private Key](#)

## Import and Export a CA Certificate

You can import, export, and store CA certificates on your Brother machine.

- [Import a CA Certificate](#)
- [Export a CA Certificate](#)

## Import a CA Certificate

1. Start your web browser.
2. Type "https://machine's IP address" in your browser's address bar (where "machine's IP address" is your machine's IP address).

For example:

https://192.168.1.2



- If you are using a Domain Name System or enable a NetBIOS name, you can type another name, such as "SharedPrinter" instead of the IP address.

For example: https://SharedPrinter

- If you enable a NetBIOS name, you can also use the node name.

For example: https://brn123456abcdef

- The NetBIOS name can be found in the Network Configuration Report.

3. If required, type the password in the **Login** field, and then click **Login**.



The default password to manage this machine's settings is located on the back of the machine and marked "Pwd".

4. Go to the navigation menu, and then click **Network > Security > CA Certificate**.



Start from ☰, if the navigation menu is not shown on the left side of the screen.

5. Click **Import CA Certificate**.
6. Browse to the file you want to import.
7. Click **Submit**.



### Related Information

- [Import and Export a CA Certificate](#)



## Export a CA Certificate

1. Start your web browser.
2. Type "https://machine's IP address" in your browser's address bar (where "machine's IP address" is your machine's IP address).

For example:

https://192.168.1.2



- If you are using a Domain Name System or enable a NetBIOS name, you can type another name, such as "SharedPrinter" instead of the IP address.

For example: https://SharedPrinter

- If you enable a NetBIOS name, you can also use the node name.

For example: https://brn123456abcdef

- The NetBIOS name can be found in the Network Configuration Report.

3. If required, type the password in the **Login** field, and then click **Login**.



The default password to manage this machine's settings is located on the back of the machine and marked "Pwd".

4. Go to the navigation menu, and then click **Network > Security > CA Certificate**.



Start from ☰, if the navigation menu is not shown on the left side of the screen.

5. Select the certificate you want to export and click **Export**.
6. Click **Submit**.
7. Click ▼ next to **Save**, and then specify the location where you want to save the file.



### Related Information

- [Import and Export a CA Certificate](#)

## Manage Multiple Certificates

The multiple certificate feature allows you to use Web Based Management to manage each certificate installed on your machine. In Web Based Management, navigate to the **Certificate** or **CA Certificate** screen to view certificate content, delete, or export your certificates.

	Maximum Number of Certificates Stored on Brother Machine
Self-signed Certificate or Certificate Issued by a CA	5
CA Certificate	6

We recommend storing fewer certificates than allowed, reserving an empty spot in case of certificate expiration. When a certificate expires, import a new certificate into the reserved spot, and then delete the expired certificate. This ensures that you avoid configuration failure.



- When you use HTTPS/IPPS, or IEEE 802.1x, you must select which certificate you are using.
- When you use SSL for SMTP communications, you do not have to choose the certificate. The necessary certificate will be chosen automatically.



### Related Information

- [Configure Certificates for Device Security](#)

## Use SSL/TLS

- [Introduction to SSL/TLS](#)
- [Manage Your Network Machine Securely Using SSL/TLS](#)
- [Print Documents Securely Using SSL/TLS](#)
- [Send an Email Securely](#)

## Introduction to SSL/TLS

Secure Socket Layer (SSL) or Transport Layer Security (TLS) is an effective method of protecting data sent over a local or wide area network (LAN or WAN). It works by encrypting data, such as a print job, sent over a network, so anyone trying to capture it will not be able to read it.

SSL/TLS can be configured on both wired and wireless networks and will work with other forms of security such as WPA keys and firewalls.



### Related Information

- [Use SSL/TLS](#)
  - [Brief History of SSL/TLS](#)
  - [Benefits of Using SSL/TLS](#)

## Brief History of SSL/TLS

SSL/TLS was originally created to secure web traffic information, particularly data sent between web browsers and servers. SSL is now used with additional applications, such as Telnet, printer, and FTP software, in order to become a universal solution for online security. Its original design intentions are still being used today by many online retailers and banks to secure sensitive data, such as credit card numbers, customer records, etc.

SSL/TLS uses extremely high levels of encryption and is trusted by banks all over the world.



### Related Information

- [Introduction to SSL/TLS](#)
-

## Benefits of Using SSL/TLS

The primary benefit of using SSL/TLS is to guarantee secure printing over an IP network by restricting unauthorised users from reading data sent to the machine. SSL's key selling point is that it can be used to print confidential data securely. For example, an HR department in a large company may be printing wage slips on a regular basis. Without encryption, the data contained on these wages slips can be read by other network users. However, with SSL/TLS, anyone trying to capture the data will see a confusing page of code and not the actual wage slip.



### Related Information

- [Introduction to SSL/TLS](#)

## Manage Your Network Machine Securely Using SSL/TLS

- [Configure a Certificate for SSL/TLS and Available Protocols](#)
- [Access Web Based Management Using SSL/TLS](#)
- [Install the Self-signed Certificate for Windows Users as Administrators](#)
- [Configure Certificates for Device Security](#)

## Configure a Certificate for SSL/TLS and Available Protocols

Configure a certificate on your machine using Web Based Management before you use SSL/TLS communication.

1. Start your web browser.
2. Type "https://machine's IP address" in your browser's address bar (where "machine's IP address" is your machine's IP address).

For example:

https://192.168.1.2



- If you are using a Domain Name System or enable a NetBIOS name, you can type another name, such as "SharedPrinter" instead of the IP address.

For example: https://SharedPrinter

- If you enable a NetBIOS name, you can also use the node name.

For example: https://brn123456abcdef

- The NetBIOS name can be found in the Network Configuration Report.


3. If required, type the password in the **Login** field, and then click **Login**.



The default password to manage this machine's settings is located on the back of the machine and marked "Pwd".

4. Go to the navigation menu, and then click **Network > Network > Protocol**.



Start from , if the navigation menu is not shown on the left side of the screen.

5. Click **HTTP Server Settings**.
6. Select the certificate you want to configure from the **Select the Certificate** drop-down list.
7. Click **Submit**.
8. Click **Yes** to restart your print server.



### Related Information

- [Manage Your Network Machine Securely Using SSL/TLS](#)



## Access Web Based Management Using SSL/TLS

To manage your network machine securely, use Web Based Management with the HTTPS protocol.



- To use HTTPS protocol, HTTPS must be enabled on your machine. The HTTPS protocol is enabled by default.
- You can change the HTTPS protocol settings using Web Based Management.

1. Start your web browser.
2. Type "https://Common Name" in your browser's address bar (where "Common Name" is the Common Name that you assigned to the certificate; this could be your IP address, node name, or domain name).
3. If required, type the password in the **Login** field, and then click **Login**.



The default password to manage this machine's settings is located on the back of the machine and marked "Pwd".

4. You can now access the machine using HTTPS.



### Related Information

- [Manage Your Network Machine Securely Using SSL/TLS](#)

## Install the Self-signed Certificate for Windows Users as Administrators

- The following steps are for Microsoft Edge. If you use another web browser, refer to your web browser's documentation or online help for instructions on how to install certificates.
- Make sure you have created your self-signed certificate using Web Based Management.

1. Right-click the **Microsoft Edge** icon, and then click **Run as administrator**.

If the **User Account Control** screen appears, click **Yes**.

2. Type "https://machine's IP address" in your browser's address bar (where "machine's IP address" is your machine's IP address).

For example:

https://192.168.1.2



- If you are using a Domain Name System or enable a NetBIOS name, you can type another name, such as "SharedPrinter" instead of the IP address.

For example: https://SharedPrinter

- If you enable a NetBIOS name, you can also use the node name.

For example: https://brn123456abcdef

- The NetBIOS name can be found in the Network Configuration Report.


3. If your connection is not private, click the **Advanced** button, and then continue to the web page.
4. If required, type the password in the **Login** field, and then click **Login**.



The default password to manage this machine's settings is located on the back of the machine and marked "Pwd".

5. Go to the navigation menu, and then click **Network > Security > Certificate**.



Start from , if the navigation menu is not shown on the left side of the screen.

6. Click **Export**.
7. To encrypt the output file, type a password in the **Enter password** field. If the **Enter password** field is blank, your output file will not be encrypted.
8. Type the password again in the **Retype password** field, and then click **Submit**.
9. Click the downloaded file to open.
10. When the **Certificate Import Wizard** appears, click **Next**.
11. Click **Next**.
12. If required, type a password, and then click **Next**.
13. Select **Place all certificates in the following store**, and then click **Browse...**
14. Select the **Trusted Root Certification Authorities**, and then click **OK**.
15. Click **Next**.
16. Click **Finish**.
17. Click **Yes**, if the fingerprint (thumbprint) is correct.
18. Click **OK**.



### Related Information

- [Manage Your Network Machine Securely Using SSL/TLS](#)

## Print Documents Securely Using SSL/TLS

- [Print Documents Using SSL/TLS](#)
- [Configure a Certificate for SSL/TLS and Available Protocols](#)
- [Configure Certificates for Device Security](#)

## Print Documents Using SSL/TLS

To print documents securely with IPP protocol, use the IPPS protocol.

1. Start your web browser.
2. Type "https://machine's IP address" in your browser's address bar (where "machine's IP address" is your machine's IP address).

For example:

https://192.168.1.2



- If you are using a Domain Name System or enable a NetBIOS name, you can type another name, such as "SharedPrinter" instead of the IP address.

For example: https://SharedPrinter

- If you enable a NetBIOS name, you can also use the node name.

For example: https://brn123456abcdef

- The NetBIOS name can be found in the Network Configuration Report.

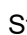
3. If required, type the password in the **Login** field, and then click **Login**.



The default password to manage this machine's settings is located on the back of the machine and marked "Pwd".

4. Go to the navigation menu, and then click **Network > Network > Protocol**.



Start from , if the navigation menu is not shown on the left side of the screen.

5. Make sure the **IPP** checkbox is selected.



If the **IPP** checkbox is not selected, select the **IPP** checkbox, and then click **Submit**.

Restart your machine to activate the configuration.

After the machine restarts, return to the machine's web page, type the password, go to the navigation menu, and then click **Network > Network > Protocol**.

6. Click **HTTP Server Settings**.
7. Select the **HTTPS** checkbox in the **IPP** area, and then click **Submit**.
8. Restart your machine to activate the configuration.

Communication using IPPS cannot prevent unauthorised access to the print server.



### Related Information

- [Print Documents Securely Using SSL/TLS](#)

## Use SNMPv3

- [Manage Your Network Machine Securely Using SNMPv3](#)

## Manage Your Network Machine Securely Using SNMPv3

The Simple Network Management Protocol version 3 (SNMPv3) provides user authentication and data encryption to manage network devices securely.


1. Start your web browser.
2. Type "https://Common Name" in your browser's address bar (where "Common Name" is the Common Name that you assigned to the certificate; this could be your IP address, node name, or domain name).
3. If required, type the password in the **Login** field, and then click **Login**.





The default password to manage this machine's settings is located on the back of the machine and marked "Pwd".

4. Go to the navigation menu, and then click **Network > Network > Protocol**.



Start from , if the navigation menu is not shown on the left side of the screen.

5. Make sure the **SNMP** setting is enabled, and then click **Advanced Settings**.
6. Configure the SNMP settings.

Option	Description
<b>SNMP v1/v2c read-write access</b>	The print server uses version 1 and version 2c of the SNMP protocol. You can use all of your machine's applications in this mode. However, it is not secure since it will not authenticate the user and data will not be encrypted.
<b>SNMPv3 read-write access and v1/v2c read-only access</b>	<p>The print server uses the read-write access of version 3 and the read-only access of version 1 and version 2c of the SNMP protocol.</p> <p> When you use the <b>SNMPv3 read-write access and v1/v2c read-only access</b> mode, some of your machine's applications that access the print server do not work correctly since they authorize the read-only access of version 1 and version 2c. If you want to use all applications, we recommend using the <b>SNMP v1/v2c read-write access</b> mode.</p>
<b>SNMPv3 read-write access</b>	<p>The print server uses version 3 of the SNMP protocol. If you want to manage the print server securely, use this mode.</p> <p> When you use the <b>SNMPv3 read-write access</b> mode, note the following: Except for BRAdmin Professional, all applications that use SNMPv1/v2c will be restricted. To allow the use of SNMPv1/v2c applications, use the <b>SNMPv3 read-write access and v1/v2c read-only access</b> or <b>SNMP v1/v2c read-write access</b> mode.</p>

7. Click **Submit**.



### Related Information

- [Use SNMPv3](#)

## Use IPsec

- [Introduction to IPsec](#)
- [Configure IPsec Using Web Based Management](#)
- [Configure an IPsec Address Template Using Web Based Management](#)
- [Configure an IPsec Template Using Web Based Management](#)

## Introduction to IPsec

IPsec (Internet Protocol Security) is a security protocol that uses an optional Internet Protocol function to prevent data manipulation and ensure the confidentiality of data transmitted as IP packets. IPsec encrypts data carried over the network, such as print data sent from computers to a printer. Because the data is encrypted at the network layer, applications that employ a higher-level protocol use IPsec even if the user is not aware of its use.

IPsec supports the following functions:

- IPsec transmissions

According to the IPsec setting conditions, the network-connected computer sends data to and receives data from the specified device using IPsec. When the devices start communicating using IPsec, keys are exchanged using Internet Key Exchange (IKE) first, and then the encrypted data is transmitted using the keys.

In addition, IPsec has two operation modes: the Transport mode and Tunnel mode. The Transport mode is used mainly for communication between devices and the Tunnel mode is used in environments such as a Virtual Private Network (VPN).



---

For IPsec transmissions, the following conditions are necessary:

- A computer that can communicate using IPsec is connected to the network.
  - Your machine is configured for IPsec communication.
  - The computer connected to your machine is configured for IPsec connections.
- 

- IPsec settings

The settings that are necessary for connections using IPsec. These settings can be configured using Web Based Management.



---

To configure the IPsec settings, you must use the browser on a computer that is connected to the network.

---



### Related Information

- [Use IPsec](#)
-



## Configure IPsec Using Web Based Management

The IPsec connection conditions comprise two **Template** types: **Address** and **IPsec**. You can configure up to 10 connection conditions.

1. Start your web browser.
2. Type "https://machine's IP address" in your browser's address bar (where "machine's IP address" is your machine's IP address).

For example:

https://192.168.1.2


3. If required, type the password in the **Login** field, and then click **Login**.



The default password to manage this machine's settings is located on the back of the machine and marked "Pwd".

4. Go to the navigation menu, and then click **Network > Security > IPsec**.



Start from , if the navigation menu is not shown on the left side of the screen.

5. Configure the settings.

Option	Description
<b>Status</b>	Enable or disable IPsec.
<b>Negotiation Mode</b>	Select <b>Negotiation Mode</b> for IKE Phase 1. IKE is a protocol that is used to exchange encryption keys in order to carry out encrypted communication using IPsec.  In the <b>Main</b> mode, the processing speed is slow, but the security is high. In the <b>Aggressive</b> mode, the processing speed is faster than in the <b>Main</b> mode, but the security is lower.
<b>All Non-IPsec Traffic</b>	Select the action to be taken for non-IPsec packets. When using Web Services, you must select <b>Allow</b> for <b>All Non-IPsec Traffic</b> . If you select <b>Drop</b> , Web Services cannot be used.
<b>Broadcast/Multicast Bypass</b>	Select <b>Enabled</b> or <b>Disabled</b> .
<b>Protocol Bypass</b>	Select the checkboxes for the option or options you want.
<b>Rules</b>	Select the <b>Enabled</b> checkbox to activate the template. When you select multiple checkboxes, the lower numbered checkboxes have priority if the settings for the selected checkboxes conflict.  Click the corresponding drop-down list to select the <b>Address Template</b> that is used for the IPsec connection conditions. To add an <b>Address Template</b> , click <b>Add Template</b> .  Click the corresponding drop-down list to select the <b>IPsec Template</b> that is used for the IPsec connection conditions. To add an <b>IPsec Template</b> , click <b>Add Template</b> .

6. Click **Submit**.

If the machine must be restarted to register the new settings, the restart confirmation screen will appear.

If there is a blank item in the template you enabled in the **Rules** table, an error message appears. Confirm your choices and click **Submit** again.



### Related Information

- [Use IPsec](#)

#### Related Topics:

- [Configure Certificates for Device Security](#)

## Configure an IPsec Address Template Using Web Based Management

1. Start your web browser.
2. Type "https://machine's IP address" in your browser's address bar (where "machine's IP address" is your machine's IP address).

For example:

https://192.168.1.2

3. If required, type the password in the **Login** field, and then click **Login**.



The default password to manage this machine's settings is located on the back of the machine and marked "Pwd".

4. Go to the navigation menu, and then click **Network > Security > IPsec Address Template**.



Start from ☰, if the navigation menu is not shown on the left side of the screen.

5. Click the **Delete** button to delete an **Address Template**. When an **Address Template** is in use, it cannot be deleted.
6. Click the **Address Template** that you want to create. The **IPsec Address Template** appears.
7. Configure the settings.

Option	Description
<b>Template Name</b>	Type a name for the template (up to 16 characters).
<b>Local IP Address</b>	<ul style="list-style-type: none"> <li>• <b>IP Address</b> Specify the IP address. Select <b>ALL IPv4 Address</b>, <b>ALL IPv6 Address</b>, <b>ALL Link Local IPv6</b>, or <b>Custom</b> from the drop-down list. If you select <b>Custom</b> from the drop-down list, type the IP address (IPv4 or IPv6) in the text box.</li> <li>• <b>IP Address Range</b> Type the starting and ending IP addresses for the IP address range in the text boxes. If the starting and ending IP addresses are not standardised to IPv4 or IPv6, or the ending IP address is smaller than the starting address, an error will occur.</li> <li>• <b>IP Address / Prefix</b> Specify the IP address using CIDR notation. For example: 192.168.1.1/24 Because the prefix is specified in the form of a 24-bit subnet mask (255.255.255.0) for 192.168.1.1, the addresses 192.168.1.### are valid.</li> </ul>
<b>Remote IP Address</b>	<ul style="list-style-type: none"> <li>• <b>Any</b> If you select <b>Any</b>, all IP addresses are enabled.</li> <li>• <b>IP Address</b> Type the specified IP address (IPv4 or IPv6) in the text box.</li> <li>• <b>IP Address Range</b> Type the first and last IP addresses for the IP address range. If the first and last IP addresses are not standardised to IPv4 or IPv6, or the last IP address is smaller than the first address, an error will occur.</li> <li>• <b>IP Address / Prefix</b> Specify the IP address using CIDR notation. For example: 192.168.1.1/24</li> </ul>

---

Option	Description
	Because the prefix is specified in the form of a 24-bit subnet mask (255.255.255.0) for 192.168.1.1, the addresses 192.168.1.### are valid.

8. Click **Submit**.



---

When you change the settings for the template currently in use, restart your machine to activate the configuration.

---



### Related Information

- [Use IPsec](#)
-

## Configure an IPsec Template Using Web Based Management

1. Start your web browser.
2. Type "https://machine's IP address" in your browser's address bar (where "machine's IP address" is your machine's IP address).

For example:

https://192.168.1.2

3. If required, type the password in the **Login** field, and then click **Login**.



---

The default password to manage this machine's settings is located on the back of the machine and marked "Pwd".

---

4. Go to the navigation menu, and then click **Network > Security > IPsec Template**.



---

Start from ☰, if the navigation menu is not shown on the left side of the screen.

---


5. Click the **Delete** button to delete an **IPsec Template**. When an **IPsec Template** is in use, it cannot be deleted.
6. Click the **IPsec Template** that you want to create. The **IPsec Template** screen appears. The configuration fields differ based on the **Use Prefixed Template** and **Internet Key Exchange (IKE)** settings you select.
7. In the **Template Name** field, type a name for the template (up to 16 characters).
8. If you selected **Custom** in the **Use Prefixed Template** drop-down list, select the **Internet Key Exchange (IKE)** options, and then change the settings if needed.
9. Click **Submit**.





### Related Information

- [Use IPsec](#)
  - [IKEv1 Settings for an IPsec Template](#)
  - [IKEv2 Settings for an IPsec Template](#)
  - [Manual Settings for an IPsec Template](#)

## IKEv1 Settings for an IPsec Template

Option	Description
Template Name	Type a name for the template (up to 16 characters).
Use Prefixed Template	Select <b>Custom</b> , <b>IKEv1 High Security</b> or <b>IKEv1 Medium Security</b> . The setting items are different depending on the selected template.
Internet Key Exchange (IKE)	<p>IKE is a communication protocol that is used to exchange encryption keys in order to carry out encrypted communication using IPsec. To carry out encrypted communication for that time only, the encryption algorithm that is necessary for IPsec is determined and the encryption keys are shared. For IKE, the encryption keys are exchanged using the Diffie-Hellman key exchange method, and encrypted communication that is limited to IKE is carried out.</p> <p>If you selected <b>Custom</b> in <b>Use Prefixed Template</b>, select <b>IKEv1</b>.</p>
Authentication Type	<ul style="list-style-type: none"> <li>• <b>Diffie-Hellman Group</b> <p>This key exchange method allows secret keys to be securely exchanged over an unprotected network. The Diffie-Hellman key exchange method uses a discrete logarithm problem, not the secret key, to send and receive open information that was generated using a random number and the secret key.</p> <p>Select <b>Group1</b>, <b>Group2</b>, <b>Group5</b>, or <b>Group14</b>.</p> </li> <li>• <b>Encryption</b> <p>Select <b>DES</b>, <b>3DES</b>, <b>AES-CBC 128</b>, or <b>AES-CBC 256</b>.</p> </li> <li>• <b>Hash</b> <p>Select <b>MD5</b>, <b>SHA1</b>, <b>SHA256</b>, <b>SHA384</b> or <b>SHA512</b>.</p> </li> <li>• <b>SA Lifetime</b> <p>Specify the IKE SA lifetime.</p> <p>Type the time (seconds) and number of kilobytes (KByte).</p> </li> </ul>
Encapsulating Security	<ul style="list-style-type: none"> <li>• <b>Protocol</b> <p>Select <b>ESP</b>, <b>AH</b>, or <b>AH+ESP</b>.</p> <hr/> <ul style="list-style-type: none"> <li>-  ESP is a protocol for carrying out encrypted communication using IPsec. ESP encrypts the payload (communicated contents) and adds additional information. The IP packet comprises the header and the encrypted payload, which follows the header. In addition to the encrypted data, the IP packet also includes information regarding the encryption method and encryption key, the authentication data, and so on.</li> <li>- AH is part of the IPsec protocol that authenticates the sender and prevents manipulation (ensures the completeness) of the data. In the IP packet, the data is inserted immediately after the header. In addition, the packets include hash values, which are calculated using an equation from the communicated contents, secret key, and so on, in order to prevent the falsification of the sender and manipulation of the data. Unlike ESP, the communicated contents are not encrypted, and the data is sent and received as plain text.</li> </ul> <hr/> </li> <li>• <b>Encryption (Not available for the AH option.)</b> <p>Select <b>DES</b>, <b>3DES</b>, <b>AES-CBC 128</b>, or <b>AES-CBC 256</b>.</p> </li> <li>• <b>Hash</b> <p>Select <b>None</b>, <b>MD5</b>, <b>SHA1</b>, <b>SHA256</b>, <b>SHA384</b>, or <b>SHA512</b>.</p> <p><b>None</b> can be selected only when <b>ESP</b> is selected in <b>Protocol</b>.</p> </li> </ul>


Option	Description
	<p>When <b>AH+ESP</b> is selected in <b>Protocol</b>, select each protocol for <b>Hash(ESP)</b> and <b>Hash(AH)</b>.</p> <ul style="list-style-type: none"> <li>• <b>SA Lifetime</b> Specify the IKE SA lifetime. Type the time (seconds) and number of kilobytes (KByte).</li> <li>• <b>Encapsulation Mode</b> Select <b>Transport</b> or <b>Tunnel</b>.</li> <li>• <b>Remote Router IP-Address</b> Type the IP address (IPv4 or IPv6) of the remote router. Enter this information only when the <b>Tunnel</b> mode is selected.</li> </ul> <hr/> <p> SA (Security Association) is an encrypted communication method using IPsec or IPv6 that exchanges and shares information, such as the encryption method and encryption key, in order to establish a secure communication channel before communication begins. SA may also refer to a virtual encrypted communication channel that has been established. The SA used for IPsec establishes the encryption method, exchanges the keys, and carries out mutual authentication according to the IKE (Internet Key Exchange) standard procedure. In addition, the SA is updated periodically.</p>
<b>Perfect Forward Secrecy (PFS)</b>	<p>PFS does not derive keys from previous keys that were used to encrypt messages. In addition, if a key that is used to encrypt a message was derived from a parent key, that parent key is not used to derive other keys. Therefore, even if a key is compromised, the damage will be limited only to the messages that were encrypted using that key.</p> <p>Select <b>Enabled</b> or <b>Disabled</b>.</p>
<b>Authentication Method</b>	<p>Select the authentication method. Select <b>Pre-Shared Key</b> or <b>Certificates</b>.</p>
<b>Pre-Shared Key</b>	<p>When encrypting communication, the encryption key is exchanged and shared beforehand using another channel.</p> <p>If you selected <b>Pre-Shared Key</b> for the <b>Authentication Method</b>, type the <b>Pre-Shared Key</b> (up to 32 characters).</p> <ul style="list-style-type: none"> <li>• <b>Local/ID Type/ID</b> Select the sender's ID type, and then type the ID. Select <b>IPv4 Address</b>, <b>IPv6 Address</b>, <b>FQDN</b>, <b>E-mail Address</b>, or <b>Certificate</b> for the type. If you select <b>Certificate</b>, type the common name of the certificate in the <b>ID</b> field.</li> <li>• <b>Remote/ID Type/ID</b> Select the recipient's ID type, and then type the ID. Select <b>IPv4 Address</b>, <b>IPv6 Address</b>, <b>FQDN</b>, <b>E-mail Address</b>, or <b>Certificate</b> for the type. If you select <b>Certificate</b>, type the common name of the certificate in the <b>ID</b> field.</li> </ul>
<b>Certificate</b>	<p>If you selected <b>Certificates</b> for <b>Authentication Method</b>, select the certificate.</p> <hr/> <p> You can select only the certificates that were created using the <b>Certificate</b> page of Web Based Management's Security configuration screen.</p>





## Related Information

- [Configure an IPsec Template Using Web Based Management](#)
-

## IKEv2 Settings for an IPsec Template

Option	Description
<b>Template Name</b>	Type a name for the template (up to 16 characters).
<b>Use Prefixed Template</b>	Select <b>Custom</b> , <b>IKEv2 High Security</b> , or <b>IKEv2 Medium Security</b> . The setting items are different depending on the selected template.
<b>Internet Key Exchange (IKE)</b>	IKE is a communication protocol that is used to exchange encryption keys in order to carry out encrypted communication using IPsec. To carry out encrypted communication for that time only, the encryption algorithm that is necessary for IPsec is determined and the encryption keys are shared. For IKE, the encryption keys are exchanged using the Diffie-Hellman key exchange method, and encrypted communication that is limited to IKE is carried out. If you selected <b>Custom</b> in <b>Use Prefixed Template</b> , select <b>IKEv2</b> .
<b>Authentication Type</b>	<ul style="list-style-type: none"> <li>• <b>Diffie-Hellman Group</b> This key exchange method allows secret keys to be securely exchanged over an unprotected network. The Diffie-Hellman key exchange method uses a discrete logarithm problem, not the secret key, to send and receive open information that was generated using a random number and the secret key. Select <b>Group1</b>, <b>Group2</b>, <b>Group5</b>, or <b>Group14</b>.</li> <li>• <b>Encryption</b> Select <b>DES</b>, <b>3DES</b>, <b>AES-CBC 128</b>, or <b>AES-CBC 256</b>.</li> <li>• <b>Hash</b> Select <b>MD5</b>, <b>SHA1</b>, <b>SHA256</b>, <b>SHA384</b> or <b>SHA512</b>.</li> <li>• <b>SA Lifetime</b> Specify the IKE SA lifetime. Type the time (seconds) and number of kilobytes (KByte).</li> </ul>
<b>Encapsulating Security</b>	<ul style="list-style-type: none"> <li>• <b>Protocol</b> Select <b>ESP</b>.   ESP is a protocol for carrying out encrypted communication using IPsec. ESP encrypts the payload (communicated contents) and adds additional information. The IP packet comprises the header and the encrypted payload, which follows the header. In addition to the encrypted data, the IP packet also includes information regarding the encryption method and encryption key, the authentication data, and so on.</li> <li>• <b>Encryption</b> Select <b>DES</b>, <b>3DES</b>, <b>AES-CBC 128</b>, or <b>AES-CBC 256</b>.</li> <li>• <b>Hash</b> Select <b>MD5</b>, <b>SHA1</b>, <b>SHA256</b>, <b>SHA384</b>, or <b>SHA512</b>.</li> <li>• <b>SA Lifetime</b> Specify the IKE SA lifetime. Type the time (seconds) and number of kilobytes (KByte).</li> <li>• <b>Encapsulation Mode</b> Select <b>Transport</b> or <b>Tunnel</b>.</li> <li>• <b>Remote Router IP-Address</b> Type the IP address (IPv4 or IPv6) of the remote router. Enter this information only when the <b>Tunnel</b> mode is selected.</li> </ul>



Option	Description
	 <p>SA (Security Association) is an encrypted communication method using IPsec or IPv6 that exchanges and shares information, such as the encryption method and encryption key, in order to establish a secure communication channel before communication begins. SA may also refer to a virtual encrypted communication channel that has been established. The SA used for IPsec establishes the encryption method, exchanges the keys, and carries out mutual authentication according to the IKE (Internet Key Exchange) standard procedure. In addition, the SA is updated periodically.</p>
<b>Perfect Forward Secrecy (PFS)</b>	<p>PFS does not derive keys from previous keys that were used to encrypt messages. In addition, if a key that is used to encrypt a message was derived from a parent key, that parent key is not used to derive other keys. Therefore, even if a key is compromised, the damage will be limited only to the messages that were encrypted using that key.</p> <p>Select <b>Enabled</b> or <b>Disabled</b>.</p>
<b>Authentication Method</b>	<p>Select the authentication method. Select <b>Pre-Shared Key</b>, <b>Certificates</b>, <b>EAP - MD5</b>, or <b>EAP - MS-CHAPv2</b>.</p>  <p>EAP is an authentication protocol that is an extension of PPP. By using EAP with IEEE802.1x, a different key is used for user authentication during each session.</p> <p>The following settings are necessary only when <b>EAP - MD5</b> or <b>EAP - MS-CHAPv2</b> is selected in <b>Authentication Method</b>:</p> <ul style="list-style-type: none"> <li>• <b>Mode</b> Select <b>Server-Mode</b> or <b>Client-Mode</b>.</li> <li>• <b>Certificate</b> Select the certificate.</li> <li>• <b>User Name</b> Type the user name (up to 32 characters).</li> <li>• <b>Password</b> Type the password (up to 32 characters). The password must be entered two times for confirmation.</li> </ul>
<b>Pre-Shared Key</b>	<p>When encrypting communication, the encryption key is exchanged and shared beforehand using another channel.</p> <p>If you selected <b>Pre-Shared Key</b> for the <b>Authentication Method</b>, type the <b>Pre-Shared Key</b> (up to 32 characters).</p> <ul style="list-style-type: none"> <li>• <b>Local/ID Type/ID</b> Select the sender's ID type, and then type the ID. Select <b>IPv4 Address</b>, <b>IPv6 Address</b>, <b>FQDN</b>, <b>E-mail Address</b>, or <b>Certificate</b> for the type. If you select <b>Certificate</b>, type the common name of the certificate in the <b>ID</b> field.</li> <li>• <b>Remote/ID Type/ID</b> Select the recipient's ID type, and then type the ID. Select <b>IPv4 Address</b>, <b>IPv6 Address</b>, <b>FQDN</b>, <b>E-mail Address</b>, or <b>Certificate</b> for the type. If you select <b>Certificate</b>, type the common name of the certificate in the <b>ID</b> field.</li> </ul>
<b>Certificate</b>	<p>If you selected <b>Certificates</b> for <b>Authentication Method</b>, select the certificate.</p>

---



Option	Description
	 You can select only the certificates that were created using the <b>Certificate</b> page of Web Based Management's Security configuration screen.





### Related Information

- [Configure an IPsec Template Using Web Based Management](#)
-

## Manual Settings for an IPsec Template

Option	Description
<b>Template Name</b>	Type a name for the template (up to 16 characters).
<b>Use Prefixed Template</b>	Select <b>Custom</b> .
<b>Internet Key Exchange (IKE)</b>	<p>IKE is a communication protocol that is used to exchange encryption keys in order to carry out encrypted communication using IPsec. To carry out encrypted communication for that time only, the encryption algorithm that is necessary for IPsec is determined and the encryption keys are shared. For IKE, the encryption keys are exchanged using the Diffie-Hellman key exchange method, and encrypted communication that is limited to IKE is carried out.</p> <p>Select <b>Manual</b>.</p>
<b>Authentication Key (ESP, AH)</b>	<p>Type the <b>In/Out</b> values.</p> <p>These settings are necessary when <b>Custom</b> is selected for <b>Use Prefixed Template</b>, <b>Manual</b> is selected for <b>Internet Key Exchange (IKE)</b>, and a setting other than <b>None</b> is selected for <b>Hash</b> for <b>Encapsulating Security</b> section.</p> <hr/> <p> The number of characters you can set differs depending on the setting you chose for <b>Hash</b> in the <b>Encapsulating Security</b> section.</p> <p>If the length of the specified authentication key is different than the selected hash algorithm, an error will occur.</p> <ul style="list-style-type: none"> <li>• <b>MD5</b>: 128 bits (16 bytes)</li> <li>• <b>SHA1</b>: 160 bits (20 bytes)</li> <li>• <b>SHA256</b>: 256 bits (32 bytes)</li> <li>• <b>SHA384</b>: 384 bits (48 bytes)</li> <li>• <b>SHA512</b>: 512 bits (64 bytes)</li> </ul> <p>When you specify the key in ASCII Code, enclose the characters in double quotation marks (").</p> <hr/>
<b>Code key (ESP)</b>	<p>Type the <b>In/Out</b> values.</p> <p>These settings are necessary when <b>Custom</b> is selected in <b>Use Prefixed Template</b>, <b>Manual</b> is selected in <b>Internet Key Exchange (IKE)</b>, and <b>ESP</b> is selected in <b>Protocol</b> in <b>Encapsulating Security</b>.</p> <hr/> <p> The number of characters you can set differs depending on the setting you chose for <b>Encryption</b> in the <b>Encapsulating Security</b> section.</p> <p>If the length of the specified code key is different than the selected encryption algorithm, an error will occur.</p> <ul style="list-style-type: none"> <li>• <b>DES</b>: 64 bits (8 bytes)</li> <li>• <b>3DES</b>: 192 bits (24 bytes)</li> <li>• <b>AES-CBC 128</b>: 128 bits (16 bytes)</li> <li>• <b>AES-CBC 256</b>: 256 bits (32 bytes)</li> </ul> <p>When you specify the key in ASCII Code, enclose the characters in double quotation marks (").</p> <hr/>
<b>SPI</b>	<p>These parameters are used to identify security information. Generally, a host has multiple Security Associations (SAs) for several types of IPsec communication. Therefore, it is necessary to identify the applicable SA when an IPsec packet is received. The SPI parameter, which identifies the SA, is included in the Authentication Header (AH) and Encapsulating Security Payload (ESP) header.</p>

Option	Description
	<p>These settings are necessary when <b>Custom</b> is selected for <b>Use Prefixed Template</b>, and <b>Manual</b> is selected for <b>Internet Key Exchange (IKE)</b>.</p> <p>Enter the <b>In/Out</b> values. (3-10 characters)</p>
<p><b>Encapsulating Security</b></p>	<ul style="list-style-type: none"> <li>• <b>Protocol</b> Select <b>ESP</b> or <b>AH</b>.</li> </ul> <hr/> <ul style="list-style-type: none"> <li>  <ul style="list-style-type: none"> <li>- ESP is a protocol for carrying out encrypted communication using IPsec. ESP encrypts the payload (communicated contents) and adds additional information. The IP packet comprises the header and the encrypted payload, which follows the header. In addition to the encrypted data, the IP packet also includes information regarding the encryption method and encryption key, the authentication data, and so on.</li> <li>- AH is part of the IPsec protocol that authenticates the sender and prevents manipulation of the data (ensures the completeness of the data). In the IP packet, the data is inserted immediately after the header. In addition, the packets include hash values, which are calculated using an equation from the communicated contents, secret key, and so on, in order to prevent the falsification of the sender and manipulation of the data. Unlike ESP, the communicated contents are not encrypted, and the data is sent and received as plain text.</li> </ul> </li> </ul> <hr/> <ul style="list-style-type: none"> <li>• <b>Encryption (Not available for the AH option.)</b> Select <b>DES</b>, <b>3DES</b>, <b>AES-CBC 128</b>, or <b>AES-CBC 256</b>.</li> <li>• <b>Hash</b> Select <b>None</b>, <b>MD5</b>, <b>SHA1</b>, <b>SHA256</b>, <b>SHA384</b>, or <b>SHA512</b>. <b>None</b> can be selected only when <b>ESP</b> is selected in <b>Protocol</b>. When <b>AH+ESP</b> is selected in <b>Protocol</b>, select each protocol for <b>Hash(ESP)</b> and <b>Hash(AH)</b>.</li> <li>• <b>SA Lifetime</b> Specify the IKE SA lifetime. Type the time (seconds) and number of kilobytes (KByte).</li> <li>• <b>Encapsulation Mode</b> Select <b>Transport</b> or <b>Tunnel</b>.</li> <li>• <b>Remote Router IP-Address</b> Type the IP address (IPv4 or IPv6) of the remote router. Enter this information only when the <b>Tunnel</b> mode is selected.</li> </ul> <hr/> <ul style="list-style-type: none"> <li>  <p>SA (Security Association) is an encrypted communication method using IPsec or IPv6 that exchanges and shares information, such as the encryption method and encryption key, in order to establish a secure communication channel before communication begins. SA may also refer to a virtual encrypted communication channel that has been established. The SA used for IPsec establishes the encryption method, exchanges the keys, and carries out mutual authentication according to the IKE (Internet Key Exchange) standard procedure. In addition, the SA is updated periodically.</p> </li> </ul>



## Related Information

- [Configure an IPsec Template Using Web Based Management](#)

## Use IEEE 802.1x Authentication for a Wired or a Wireless Network

- [What Is IEEE 802.1x Authentication?](#)
- [Configure IEEE 802.1x Authentication for a Wired or Wireless Network Using Web Based Management \(Web Browser\)](#)
- [IEEE 802.1x Authentication Methods](#)

## What Is IEEE 802.1x Authentication?

IEEE 802.1x is an IEEE standard that limits access from unauthorised network devices. Your Brother machine sends an authentication request to a RADIUS server (Authentication server) through your access point or hub. After your request has been verified by the RADIUS server, your machine can access the network.



### Related Information

- [Use IEEE 802.1x Authentication for a Wired or a Wireless Network](#)
-

## Configure IEEE 802.1x Authentication for a Wired or Wireless Network Using Web Based Management (Web Browser)

- If you configure your machine using EAP-TLS authentication, you must install the client certificate issued by a CA before you start configuration. Contact your network administrator about the client certificate. If you have installed more than one certificate, we recommend writing down the certificate name you want to use.
- Before you verify the server certificate, you must import the CA certificate issued by the CA that signed the server certificate. Contact your network administrator or your Internet Service Provider (ISP) to confirm whether a CA certificate import is necessary.



You can also configure IEEE 802.1x authentication using the Wireless Setup Wizard from the control panel (Wireless network).

1. Start your web browser.
2. Type "https://machine's IP address" in your browser's address bar (where "machine's IP address" is your machine's IP address).

For example:

https://192.168.1.2



- If you are using a Domain Name System or enable a NetBIOS name, you can type another name, such as "SharedPrinter" instead of the IP address.

For example: https://SharedPrinter

- If you enable a NetBIOS name, you can also use the node name.

For example: https://brn123456abcdef

- The NetBIOS name can be found in the Network Configuration Report.

3. If required, type the password in the **Login** field, and then click **Login**.



The default password to manage this machine's settings is located on the back of the machine and marked "Pwd".

4. Go to the navigation menu, and then click **Network**.



Start from ☰, if the navigation menu is not shown on the left side of the screen.

5. Do one of the following:
  - For the wired network  
Click **Wired** > **Wired 802.1x Authentication**.
  - For the wireless network  
Click **Wireless** > **Wireless (Enterprise)**.
6. Configure the IEEE 802.1x authentication settings.



- To enable IEEE 802.1x authentication for wired networks, select **Enabled** for **Wired 802.1x status** on the **Wired 802.1x Authentication** page.
- If you are using **EAP-TLS** authentication, you must select the client certificate installed (shown with certificate name) for verification from the **Client Certificate** drop-down list.
- If you select **EAP-FAST**, **PEAP**, **EAP-TTLS**, or **EAP-TLS** authentication, select the verification method from the **Server Certificate Verification** drop-down list. Verify the server certificate using the CA certificate, imported to the machine in advance, issued by the CA that signed the server certificate.

---

Select one of the following verification methods from the **Server Certificate Verification** drop-down list:

Option	Description
<b>No Verification</b>	The server certificate can always be trusted. The verification is not performed.
<b>CA Cert.</b>	The verification method to check the CA reliability of the server certificate, using the CA certificate issued by the CA that signed the server certificate.
<b>CA Cert. + ServerID</b>	The verification method to check the common name <sup>1</sup> value of the server certificate, in addition to the CA reliability of the server certificate.

7. When finished with configuration, click **Submit**.

For wired networks: After configuring, connect your machine to the IEEE 802.1x supported network. After a few minutes, print the Network Configuration Report to check the **<Wired IEEE 802.1x>** status.

Option	Description
<b>Success</b>	The wired IEEE 802.1x function is enabled and the authentication was successful.
<b>Failed</b>	The wired IEEE 802.1x function is enabled; however, the authentication failed.
<b>Off</b>	The wired IEEE 802.1x function is not available.

### **Related Information**

- [Use IEEE 802.1x Authentication for a Wired or a Wireless Network](#)

#### **Related Topics:**

- [Configure Certificates for Device Security](#)
- 

<sup>1</sup> The common name verification compares the common name of the server certificate to the character string configured for the **Server ID**. Before you use this method, contact your system administrator about the server certificate's common name and then configure **Server ID**.



## IEEE 802.1x Authentication Methods

### EAP-FAST

Extensible Authentication Protocol-Flexible Authentication via Secured Tunneling (EAP-FAST) has been developed by Cisco Systems, Inc., which uses a user ID and password for authentication, and symmetric key algorithms to achieve a tunnelled authentication process.

Your Brother machine supports the following inner authentication methods:

- EAP-FAST/NONE
- EAP-FAST/MS-CHAPv2
- EAP-FAST/GTC

### EAP-MD5 (Wired network)

Extensible Authentication Protocol-Message Digest Algorithm 5 (EAP-MD5) uses a user ID and password for challenge-response authentication.

### PEAP

Protected Extensible Authentication Protocol (PEAP) is a version of EAP method developed by Cisco Systems, Inc., Microsoft Corporation and RSA Security. PEAP creates an encrypted Secure Sockets Layer (SSL)/Transport Layer Security (TLS) tunnel between a client and an authentication server, for sending a user ID and password. PEAP provides mutual authentication between the server and the client.

Your Brother machine supports the following inner authentications:

- PEAP/MS-CHAPv2
- PEAP/GTC

### EAP-TTLS

Extensible Authentication Protocol-Tunneled Transport Layer Security (EAP-TTLS) has been developed by Funk Software and Certicom. EAP-TTLS creates a similar encrypted SSL tunnel to PEAP, between a client and an authentication server, for sending a user ID and password. EAP-TTLS provides mutual authentication between the server and the client.

Your Brother machine supports the following inner authentications:

- EAP-TTLS/CHAP
- EAP-TTLS/MS-CHAP
- EAP-TTLS/MS-CHAPv2
- EAP-TTLS/PAP

### EAP-TLS

Extensible Authentication Protocol-Transport Layer Security (EAP-TLS) requires digital certificate authentication both at a client and an authentication server.



### Related Information

- [Use IEEE 802.1x Authentication for a Wired or a Wireless Network](#)

## Use Active Directory Authentication

**Related Models:** HL-L6410DN/HL-L6415DW

- [Introduction to Active Directory Authentication](#)
- [Configure Active Directory Authentication Using Web Based Management](#)
- [Log On to Change the Machine Settings Using the Machine's Control Panel \(Active Directory Authentication\)](#)

## Introduction to Active Directory Authentication

**Related Models:** HL-L6410DN/HL-L6415DW

Active Directory Authentication restricts the use of your machine. If Active Directory Authentication is enabled, the machine's control panel will be locked. You cannot change the machine's settings until you enter a User ID and password.

Active Directory Authentication offers the following feature:

Stores incoming print data

You can change the Active Directory Authentication settings using Web Based Management.



### Related Information

- [Use Active Directory Authentication](#)

## Configure Active Directory Authentication Using Web Based Management

**Related Models:** HL-L6410DN/HL-L6415DW

Active Directory authentication supports Kerberos authentication and NTLMv2 authentication. You must configure the SNTP protocol (network time server) and DNS server configuration for authentication.

1. Start your web browser.
2. Type "https://machine's IP address" in your browser's address bar (where "machine's IP address" is your machine's IP address).

For example:

https://192.168.1.2


3. If required, type the password in the **Login** field, and then click **Login**.



The default password to manage this machine's settings is located on the back of the machine and marked "Pwd".

4. Go to the navigation menu, and then click **Administrator > User Restriction Function** or **Restriction Management**.



Start from , if the navigation menu is not shown on the left side of the screen.

5. Select **Active Directory Authentication**.
6. Click **Submit**.
7. Click **Active Directory Authentication** in the navigation bar.
8. Configure the following settings:

Option	Description
<b>Remember User ID</b>	Select this option to save your User ID.
<b>Active Directory Server Address</b>	Type the IP address or the server name (for example: ad.example.com) of the Active Directory Server.
<b>Active Directory Domain Name</b>	Type the Active Directory domain name.
<b>Protocol &amp; Authentication Method</b>	Select the protocol and authentication method.
<b>LDAP Server Port</b>	Type the port number to connect the Active Directory server via LDAP (available only for <b>LDAP + kerberos</b> authentication method).
<b>SSL/TLS</b>	Select the <b>SSL/TLS</b> option.

9. Click **Submit**.



### Related Information

- [Use Active Directory Authentication](#)

## Log On to Change the Machine Settings Using the Machine's Control Panel (Active Directory Authentication)

**Related Models:** HL-L6410DN/HL-L6415DW

When Active Directory Authentication is enabled, the machine's control panel will be locked until you enter your User ID and password on the machine's control panel.

1. On the machine's control panel, enter your User ID.
2. Press [OK].
3. Enter your password.
4. Press [OK].
5. Press [OK] again.
6. When authentication is successful, the machine's control panel unlocks, and the LCD displays the Home screen.



### Related Information

- [Use Active Directory Authentication](#)

## Use LDAP Authentication

**Related Models:** HL-L6410DN/HL-L6415DW

- [Introduction to LDAP Authentication](#)
- [Configure LDAP Authentication Using Web Based Management](#)
- [Log On to Change the Machine Settings Using the Machine's Control Panel \(LDAP Authentication\)](#)

## Introduction to LDAP Authentication

**Related Models:** HL-L6410DN/HL-L6415DW

LDAP Authentication restricts the use of your machine. If LDAP Authentication is enabled, the machine's control panel will be locked. You cannot change the machine's settings until you enter a User ID and password.

LDAP Authentication offers the following feature:

Stores incoming print data

You can change the LDAP Authentication settings using Web Based Management.



### Related Information

- [Use LDAP Authentication](#)

## Configure LDAP Authentication Using Web Based Management

**Related Models:** HL-L6410DN/HL-L6415DW


1. Start your web browser.
2. Type "https://machine's IP address" in your browser's address bar (where "machine's IP address" is your machine's IP address).  
For example:  
https://192.168.1.2
3. If required, type the password in the **Login** field, and then click **Login**.



The default password to manage this machine's settings is located on the back of the machine and marked "Pwd".

4. Go to the navigation menu, and then click **Administrator > User Restriction Function**.



Start from , if the navigation menu is not shown on the left side of the screen.

5. Select **LDAP Authentication**.
6. Click **Submit**.
7. Click the **LDAP Authentication** menu.
8. Configure the following settings:

Option	Description
<b>Remember User ID</b>	Select this option to save your User ID.
<b>LDAP Server Address</b>	Type the IP address or the server name (for example: ldap.example.com) of the LDAP server.
<b>SSL/TLS</b>	Select the <b>SSL/TLS</b> option to use LDAP over SSL/TLS.
<b>LDAP Server Port</b>	Type the LDAP server port number.
<b>LDAP Search Root</b>	Type the LDAP search root directory.
<b>Attribute of Name (Search Key)</b>	Type the attribute you want to use as a search key.

9. Click **Submit**.



### Related Information

- [Use LDAP Authentication](#)



## Log On to Change the Machine Settings Using the Machine's Control Panel (LDAP Authentication)

**Related Models:** HL-L6410DN/HL-L6415DW

When LDAP Authentication is enabled, the machine's control panel will be locked until you enter your User ID and password on the machine's control panel.

1. On the machine's control panel, enter your User ID and Password.
2. Press [OK].
3. When authentication is successful, the machine's control panel unlocks, and the LCD displays the Home screen.



### Related Information

- [Use LDAP Authentication](#)

## Use Secure Function Lock 3.0

Secure Function Lock 3.0 increases security by restricting the functions available on your machine.

- [Before Using Secure Function Lock 3.0](#)
- [Configure Secure Function Lock 3.0 Using Web Based Management](#)
- [Configure Public Mode for Secure Function Lock 3.0](#)
- [Additional Secure Function Lock 3.0 Features](#)
- [Register a new ID Card Using the Machine's Control Panel](#)

## Before Using Secure Function Lock 3.0

Use Secure Function Lock to configure passwords, set specific user page limits, and grant access to some or all of the functions listed here.

You can configure and change the following Secure Function Lock 3.0 settings using Web Based Management:

- **Print**

Print includes print jobs sent via AirPrint, Brother iPrint&Scan, and Brother Mobile Connect.

If you register user login names in advance, the users do not need to enter their passwords when they use the print function.

- **Web Connect** (supported models only)

- **Page Limits**

- **Page Counters**


- **Card ID (NFC ID)** (supported models only)

If you register user Card IDs in advance, registered users can activate the machine by touching their registered cards to the machine's NFC symbol.



---

Touchscreen LCD models:

When Secure Function Lock is enabled, the machine automatically enters Public Mode and some of the machine's functions become restricted to authorised users only. To access the restricted machine functions, press , select your user name, and enter your password.

---



### Related Information

- [Use Secure Function Lock 3.0](#)
-

## Configure Secure Function Lock 3.0 Using Web Based Management

1. Start your web browser.
2. Type "https://machine's IP address" in your browser's address bar (where "machine's IP address" is your machine's IP address).

For example:

https://192.168.1.2

3. If required, type the password in the **Login** field, and then click **Login**.



The default password to manage this machine's settings is located on the back of the machine and marked "Pwd".

4. Go to the navigation menu, and then click **Administrator > User Restriction Function** or **Restriction Management**.



Start from ☰, if the navigation menu is not shown on the left side of the screen.

5. Select **Secure Function Lock**.
6. Click **Submit**.
7. Click the **Restricted Functions** menu.
8. In the **User List / Restricted Functions** field, type a group name or user name.
9. In the **Print** and the other columns, select a checkbox to allow, or clear a checkbox to restrict, the function listed.
10. To configure the maximum page count, select the **On** checkbox in the **Page Limits** column, and then type the maximum number in the **Max. Pages** field.
11. Click **Submit**.
12. Click the **User List** menu.
13. In the **User List** field, type the user name.
14. In the **Password** field, type a password.



The number of characters you can set differs depending on the model.

15. To register the user's Card ID, type the card number in the **Card ID (NFC ID)** field (available only for certain models).
16. Click the **Output** drop-down list, and then select the output tray for each user (available only for certain models).
17. Select **User List / Restricted Functions** from the drop-down list for each user.
18. Click **Submit**.



You can also change the user list lockout settings in the **Secure Function Lock** menu.



### Related Information

- [Use Secure Function Lock 3.0](#)

## Configure Public Mode for Secure Function Lock 3.0

Use the Secure Function Lock screen to set up Public Mode, which limits the functions available to public users. Public users will not need to enter a password to access the features made available through Public Mode settings.



Public Mode includes print jobs sent via Brother iPrint&Scan and Brother Mobile Connect.

1. Start your web browser.
2. Type "https://machine's IP address" in your browser's address bar (where "machine's IP address" is your machine's IP address).

For example:

https://192.168.1.2


3. If required, type the password in the **Login** field, and then click **Login**.



The default password to manage this machine's settings is located on the back of the machine and marked "Pwd".

4. Go to the navigation menu, and then click **Administrator** > **User Restriction Function** or **Restriction Management**.



Start from , if the navigation menu is not shown on the left side of the screen.

5. Select **Secure Function Lock**.
6. Click **Submit**.
7. Click the **Restricted Functions** menu.
8. In the **Public Mode** row, select a checkbox to allow, or clear a checkbox to restrict, the function listed.
9. Click **Submit**.



### Related Information

- [Use Secure Function Lock 3.0](#)

## Additional Secure Function Lock 3.0 Features

Configure the following features in the Secure Function Lock screen:

### All Counter Reset

Click **All Counter Reset**, in the **Page Counters** column, to reset the page counter.

### Export to CSV file

Click **Export to CSV file**, to export the current and last page counter including **User List / Restricted Functions** information as a CSV file.

### Card ID (NFC ID) (supported models only)

Click the **User List** menu, and then type a user's Card ID in the **Card ID (NFC ID)** field. You can use your IC card for authentication.

### Output (available models only)

When the Mailbox unit is installed on your machine, select the output tray for each user from the drop-down list.

### Last Counter Record

Click **Last Counter Record** if you want the machine to retain the page count after the counter has been reset.



### Related Information

- [Use Secure Function Lock 3.0](#)

## Register a new ID Card Using the Machine's Control Panel

**Related Models:** HL-L6410DN/HL-L6415DW

1. Touch the Near-Field Communication (NFC) symbol on the machine with a registered Integrated Circuit Card (IC Card).
2. Press your login name.
3. Press [Register Card].
4. Touch a new IC Card to the NFC symbol.
5. Press [OK].

The new IC Card's number is registered to the machine.



### Related Information

- [Use Secure Function Lock 3.0](#)

## Send an Email Securely

**Related Models:** HL-L5210DW/HL-L6210DW/HL-L6410DN/HL-L6415DW

- [Configure Email Sending Using Web Based Management](#)
- [Send an Email with User Authentication](#)
- [Send an Email Securely Using SSL/TLS](#)



## Configure Email Sending Using Web Based Management

**Related Models:** HL-L5210DW/HL-L6210DW/HL-L6410DN/HL-L6415DW

We recommend using Web Based Management to configure secured email sending with user authentication, or email sending using SSL/TLS.

1. Start your web browser.
2. Type "https://machine's IP address" in your browser's address bar (where "machine's IP address" is your machine's IP address).

For example:

https://192.168.1.2


3. If required, type the password in the **Login** field, and then click **Login**.



The default password to manage this machine's settings is located on the back of the machine and marked "Pwd".

4. Go to the navigation menu, and then click **Network > Network > Protocol**.



Start from , if the navigation menu is not shown on the left side of the screen.

5. In the **SMTP Client** field, click **Advanced Settings** and make sure the status of **SMTP Client** is **Enabled**.
6. Configure the **SMTP Client** settings.
  - Confirm that the email settings are correct after configuration by sending a test email.
  - If you do not know the SMTP server settings, contact your network administrator or Internet Service Provider (ISP).
7. When finished, click **Submit**.

The **Test Send E-mail Configuration** dialog box appears.
8. Follow the instructions in the dialog box to test the current settings.



### Related Information

- [Send an Email Securely](#)

## Send an Email with User Authentication

Your machine supports the SMTP-AUTH method to send email via an email server that requires user authentication. This method prevents unauthorised users from accessing the email server.

You can use the SMTP-AUTH method for email notification and email reports.



---

We recommend using Web Based Management to configure the SMTP authentication.

---

### Email Server Settings

You must configure your machine's SMTP authentication method to match the method used by your email server. For details about your email server settings, contact your network administrator or Internet Service Provider (ISP).



---

To enable SMTP server authentication, in the Web Based Management **SMTP Client** screen, under **Server Authentication Method**, you must select **SMTP-AUTH**.

---



### Related Information

- [Send an Email Securely](#)
-

## Send an Email Securely Using SSL/TLS

**Related Models:** HL-L5210DW/HL-L6210DW/HL-L6410DN/HL-L6415DW

Your machine supports SSL/TLS communication methods. To use an email server that is using SSL/TLS communication, you must configure the following settings.



We recommend using Web Based Management to configure SSL/TLS.

### Verify Server Certificate

Under **SSL/TLS**, if you choose **SSL** or **TLS**, the **Verify Server Certificate** checkbox will be selected automatically.



- Before you verify the server certificate, you must import the CA certificate issued by the CA that signed the server certificate. Contact your network administrator or your Internet Service Provider (ISP) to confirm if importing a CA certificate is necessary.
- If you do not need to verify the server certificate, clear the **Verify Server Certificate** checkbox.

### Port Number

If you select **SSL**, or **TLS**, the **Port** value will be changed to match the protocol. To change the port number manually, type the port number after you select **SSL/TLS** settings.

You must configure your machine's communication method to match the method used by your email server. For details about your email server settings, contact your network administrator or your ISP.

In most cases, the secured webmail services require the following settings:

SMTP	<b>Port</b>	25
	<b>Server Authentication Method</b>	<b>SMTP-AUTH</b>
	<b>SSL/TLS</b>	<b>TLS</b>



### Related Information

- [Send an Email Securely](#)

#### Related Topics:

- [Configure Certificates for Device Security](#)

## Store Print Log to Network

- [Store Print Log to Network Overview](#)
- [Configure the Store Print Log to Network Settings Using Web Based Management](#)
- [Use the Store Print Log to Network's Error Detection Setting](#)

## Store Print Log to Network Overview

The Store Print Log to Network feature allows you to save the print log file from your machine to a network server using the Common Internet File System (CIFS) protocol. You can record the ID, type of print job, job name, user name, date, time and the number of printed pages for every print job. CIFS is a protocol that runs over TCP/IP, allowing computers on a network to share files over an intranet or the Internet.

The following print functions are recorded in the print log:

- Print jobs from your computer
- Web Connect Print (supported models only)



- The Store Print Log to Network feature supports Kerberos authentication and NTLMv2 authentication. You must configure the SNTP protocol (network time server) for Authentication.
- You can set the file type to TXT or CSV when storing a file to the server.



### Related Information

- [Store Print Log to Network](#)

## Configure the Store Print Log to Network Settings Using Web Based Management

1. Start your web browser.
2. Type "https://machine's IP address" in your browser's address bar (where "machine's IP address" is your machine's IP address).

For example:

https://192.168.1.2

3. If required, type the password in the **Login** field, and then click **Login**.





The default password to manage this machine's settings is located on the back of the machine and marked "Pwd".

4. Go to the navigation menu, and then click **Administrator > Store Print Log to Network**.



Start from ☰, if the navigation menu is not shown on the left side of the screen.

5. In the **Print Log** field, click **On**.
6. Configure the following settings:

Option	Description
<b>Network Folder Path</b>	Type the destination folder where your print log will be stored on the CIFS server (for example: \\ComputerName\SharedFolder).
<b>File Name</b>	Type the file name you want to use for the print log (up to 32 characters).
<b>File Type</b>	Select the <b>TXT</b> or <b>CSV</b> option for the Print Log file type.
<b>Time Source for Log</b>	Select the time source for the print log.
<b>Auth. Method</b>	Select the authentication method required for access to the CIFS server: <b>Auto</b> , <b>Kerberos</b> , or <b>NTLMv2</b> . Kerberos is an authentication protocol which allows devices or individuals to securely prove their identity to network servers using a single sign-on. NTLMv2 is the authentication method used by Windows to log into servers. <ul style="list-style-type: none"><li>• <b>Auto</b>: If you select <b>Auto</b>, NTLMv2 will be used to the authentication method.</li><li>• <b>Kerberos</b>: Select the <b>Kerberos</b> option to use Kerberos authentication only.</li><li>• <b>NTLMv2</b>: Select the <b>NTLMv2</b> option to use NTLMv2 authentication only.</li></ul>  <p>For the <b>Kerberos</b> and <b>NTLMv2</b> authentication, you must also configure the <b>Date&amp;Time</b> settings or the SNTP protocol (network time server) and DNS server.</p>
<b>Username</b>	Type the user name for the authentication (up to 96 characters).  <p>If the user name is part of a domain, enter the user name in one of the following styles: user@domain or domain\user.</p>
<b>Password</b>	Type the password for the authentication (up to 32 characters).
<b>Kerberos Server Address (if needed)</b>	Type the Key Distribution Center (KDC) host address (for example: kerberos.example.com; up to 64 characters) or the IP address (for example: 192.168.56.189).

---

Option	Description
<b>Error Detection Setting</b>	Choose what action should be taken when the Print Log cannot be stored to the server due to a network error.

---

7. In the **Connection Status** field, confirm the last log status.



You can also confirm the error status on the LCD of your machine.

8. Click **Submit** to display the **Test Print Log to Network** page.

To test your settings, click **Yes** and then go to the next step.

To skip the test, click **No**. Your settings will be submitted automatically.

9. The machine will test your settings.

10. If your settings are accepted, **Test OK** appears on the screen.

If **Test Error** appears, check all settings, and then click **Submit** to display the Test page again.



### Related Information

- [Store Print Log to Network](#)
-

## Use the Store Print Log to Network's Error Detection Setting

Use Error Detection Settings to determine the action that is taken when the print log cannot be stored to the server due to a network error.

1. Start your web browser.
2. Type "https://machine's IP address" in your browser's address bar (where "machine's IP address" is your machine's IP address).

For example:

https://192.168.1.2


3. If required, type the password in the **Login** field, and then click **Login**.



The default password to manage this machine's settings is located on the back of the machine and marked "Pwd".

4. Go to the navigation menu, and then click **Administrator > Store Print Log to Network**.



Start from , if the navigation menu is not shown on the left side of the screen.

5. In the **Error Detection Setting** section, select the **Cancel Print** or **Ignore Log & Print** option.

Option	Description
<b>Cancel Print</b>	If you select the <b>Cancel Print</b> option, the print jobs are cancelled when the print log cannot be stored to the server.
<b>Ignore Log &amp; Print</b>	If you select the <b>Ignore Log &amp; Print</b> option, the machine prints the documentation even if the print log cannot be stored to the server.

When the store print log function has recovered, the print log is recorded as follows:

```
Id, Type, Job Name, User Name, Date, Time, Print Pages
```

```
1, Print(xxxxxxx), "Document01.doc", "user01", 03/03/20xx, 14:01:32, 52
```

```
2, Print(xxxxxxx), "Document02.doc", "user01", 03/03/20xx, 14:45:30, ?
```

```
3, <ERROR>, ?, ?, ?, ?, ?
```

```
4, Print(xxxxxxx), "Report01.xls", "user02", 03/03/20xx, 19:30:40, 4
```

- a. If the log cannot be stored at the end of printing, the number of printed pages will not be recorded.
- b. If the print log cannot be stored at the beginning and the end of printing, the print log of the job will not be recorded. When the function has recovered, the error is reflected in the log.

6. Click **Submit** to display the **Test Print Log to Network** page.  
To test your settings, click **Yes** and then go to the next step.  
To skip the test, click **No**. Your settings will be submitted automatically.
7. The machine will test your settings.
8. If your settings are accepted, **Test OK** appears on the screen.  
If **Test Error** appears, check all settings, and then click **Submit** to display the Test page again.



### Related Information

- [Store Print Log to Network](#)



## Lock the Machine Settings from the Control Panel

Before turning the machine's Setting Lock on, write down and save your password. If you forget the password, you must reset all passwords stored in the machine by contacting your administrator or Brother customer service.

- [Setting Lock Overview](#)

## Setting Lock Overview

Use the Setting Lock feature to block unauthorised access to machine settings.

When Setting Lock is set to On, you cannot access the machine settings without entering the password.

- [Set the Setting Lock Password](#)
- [Change the Setting Lock Password](#)
- [Turn Setting Lock On](#)



## Set the Setting Lock Password

>> [HL-L5210DN/HL-L5210DW/HL-L6210DW](#)  
>> [HL-L6410DN/HL-L6415DW](#)

### HL-L5210DN/HL-L5210DW/HL-L6210DW

1. Press ▲ or ▼ to display the [General Setup] option, and then press **OK**.
2. Press ▲ or ▼ to display the [Setting Lock] option, and then press **OK**.
3. Enter a four-digit number for the password.  
To enter each digit, press ▲ or ▼ to select a number, and then press **OK**.
4. When the LCD displays [Verify:], re-enter the new password.

### HL-L6410DN/HL-L6415DW

1. Press  [Settings] > [All Settings] > [General Setup] > [Setting Lock].
2. Enter a four-digit number for the password.
3. Press [OK].
4. When the LCD displays [Verify], re-enter the new password.
5. Press [OK].
6. Press .

### Related Information

- [Setting Lock Overview](#)

#### Related Topics:

- [How to Enter Text on Your Machine](#)

## Change the Setting Lock Password



>> [HL-L5210DN/HL-L5210DW/HL-L6210DW](#)

>> [HL-L6410DN/HL-L6415DW](#)

### HL-L5210DN/HL-L5210DW/HL-L6210DW

1. Press ▲ or ▼ to display the [General Setup] option, and then press **OK**.
2. Press ▲ or ▼ to display the [Setting Lock] option, and then press **OK**.
3. Press ▲ or ▼ to select the [Set Password] option, and then press **OK**.
4. Enter the current four-digit password.  
To enter each digit, press ▲ or ▼ to select a number, and then press **OK**.
5. Enter a new four-digit password.  
To enter each digit, press ▲ or ▼ to select a number, and then press **OK**.
6. When the LCD displays [Verify:], re-enter the new password.

### HL-L6410DN/HL-L6415DW

1. Press  [Settings] > [All Settings] > [General Setup] > [Setting Lock] > [Set Password].
2. Enter the current four-digit password.
3. Press [OK].
4. Enter a new four-digit password.
5. Press [OK].
6. When the LCD displays [Verify], re-enter the new password.
7. Press [OK].
8. Press .

### Related Information

- [Setting Lock Overview](#)

## Turn Setting Lock On


>> [HL-L5210DN/HL-L5210DW/HL-L6210DW](#)

>> [HL-L6410DN/HL-L6415DW](#)

### HL-L5210DN/HL-L5210DW/HL-L6210DW

1. Press ▲ or ▼ to display the [General Setup] option, and then press **OK**.
2. Press ▲ or ▼ to display the [Setting Lock] option, and then press **OK**.
3. Press **OK** when the LCD displays [On].
4. Enter the current four-digit password.  
To enter each digit, press ▲ or ▼ to select a number, and then press **OK**.

### HL-L6410DN/HL-L6415DW

1. Press  [Settings] > [All Settings] > [General Setup] > [Setting Lock] > [Lock Off⇒On].
2. Enter the current four-digit password.
3. Press [OK].



### Related Information

- [Setting Lock Overview](#)

## Use Global Network Detection Features

When you use your machine in a private network, use the Global Network Detection feature to avoid a risk from unexpected attacks from the global network.

- [Enable Global IP Address Detection](#)
- [Block Communications from the Global Network](#)

## Enable Global IP Address Detection

Use this feature to check your machine's IP address. When your machine is assigned to a global IP address, an alert is displayed on the machine.



>> [HL-L5210DN/HL-L5210DW/HL-L6210DW](#)

>> [HL-L6410DN/HL-L6415DW](#)

### HL-L5210DN/HL-L5210DW/HL-L6210DW

1. Press ▲ or ▼ to select the [Network] option, and then press **OK**.
2. Press ▲ or ▼ to select the [Global Detect] option, and then press **OK**.
3. Press ▲ or ▼ to select the [Allow Detect] option, and then press **OK**.
4. Press ▲ or ▼ to select [On], and then press **OK**.

### HL-L6410DN/HL-L6415DW

1. Press  [Settings] > [All Settings] > [Network] > [Network Reset] > [Global Detect] > [Allow Detect] > [On].
2. Press .



### Related Information

- [Use Global Network Detection Features](#)

## Block Communications from the Global Network



When you enable this feature, it limits receiving jobs from devices with global IP addresses.



>> HL-L5210DN/HL-L5210DW/HL-L6210DW

>> HL-L6410DN/HL-L6415DW

### HL-L5210DN/HL-L5210DW/HL-L6210DW

1. Press ▲ or ▼ to select the [Network] option, and then press **OK**.
2. Press ▲ or ▼ to select the [Global Detect] option, and then press **OK**.
3. Press ▲ or ▼ to select the [Reject Access] option, and then press **OK**.
4. Press ▲ or ▼ to select [On], and then press **OK**.

### HL-L6410DN/HL-L6415DW

1. Press  [Settings] > [All Settings] > [Network] > [Global Detect] > [Reject Access] > [On].
2. Press .



### Related Information

- [Use Global Network Detection Features](#)



## Administrator

- [Network Features](#)
- [Security Features](#)
- [Brother Management Tools](#)

## Network Features

- [Change Machine Settings Using Web Based Management](#)
- [Print the Network Configuration Report](#)
- [Synchronise Time with the SNTP Server Using Web Based Management](#)
- [Store Print Log to Network](#)

## Security Features

Your machine uses some of the latest network security and encryption protocols. These network features can be integrated into your overall network security plan to help protect your data and prevent unauthorised access to the machine.

- [Network Security](#)
- [User Authentication](#)

## Network Security

- [Before Using Network Security Features](#)
- [Configure Certificates for Device Security](#)
- [Use SSL/TLS](#)
- [Use SNMPv3](#)
- [Use IPsec](#)
- [Use IEEE 802.1x Authentication for a Wired or a Wireless Network](#)

## Before Using Network Security Features

Your machine employs some of the latest network security and encryption protocols available today. These network features can be integrated into your overall network security plan to help protect your data and prevent unauthorised access to the machine.



We recommend disabling the Telnet, FTP server, and TFTP protocols. Accessing the machine using these protocols is not secure.



### Related Information

- [Security](#)
- [Network Security](#)
  - [Disable Unnecessary Protocols](#)

## User Authentication

- [Use Active Directory Authentication](#)
- [Use LDAP Authentication](#)
- [Use Secure Function Lock 3.0](#)

## Brother Management Tools

Use one of Brother's management tools to configure your Brother machine's network settings.  
Go to your model's **Downloads** page at [support.brother.com](http://support.brother.com) to download the tools.



### Related Information

- [Administrator](#)
-

## Mobile/Web Connect

- [Brother Web Connect](#)
- [AirPrint](#)
- [Mopria™ Print Service](#)
- [Brother Mobile Connect](#)
- [Register an External IC Card Reader](#)



## Brother Web Connect

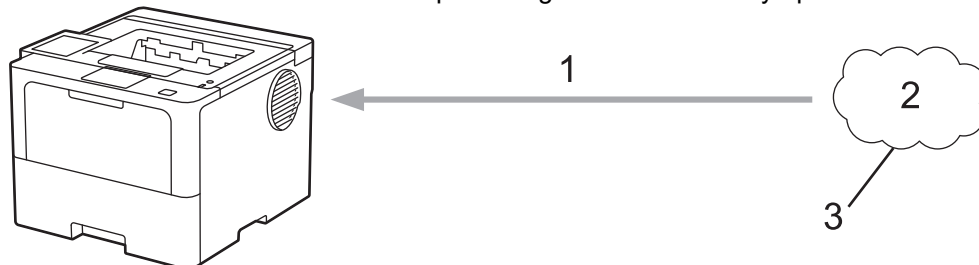
**Related Models:** HL-L6410DN/HL-L6415DW

- [Brother Web Connect Overview](#)
- [Online Services Used with Brother Web Connect](#)
- [Set Up Brother Web Connect](#)
- [Download and Print Documents Using Brother Web Connect](#)

## Brother Web Connect Overview

**Related Models:** HL-L6410DN/HL-L6415DW

Certain websites provide services that allow users to upload and view images and files on the websites. Your Brother machine can download and print images that are already uploaded to these services.



1. Printing
2. Photos, images, documents, and other files
3. Web Service

To use Brother Web Connect, your Brother machine must be connected to a network that has access to the Internet, through either a wired or wireless connection.

For network setups that use a proxy server, the machine must also be configured to use a proxy server. If you are unsure of your network configuration, check with your network administrator.



A proxy server is a computer that serves as an intermediary between computers without a direct Internet connection, and the Internet.

### ✓ Related Information



- [Brother Web Connect](#)
  - [Configure the Proxy Server Settings Using the Machine's Control Panel](#)

## Configure the Proxy Server Settings Using the Machine's Control Panel

**Related Models:** HL-L6410DN/HL-L6415DW

If your network uses a proxy server, the following proxy server information must be configured on the machine:

- Proxy server address
- Port number
- User Name
- Password

1. Press  [Settings] > [All Settings] > [Network] > [Web Connect Settings] > [Proxy Settings] > [Proxy Connection] > [On].
2. Press the option that you want to set, and then enter the proxy server information.
3. Press [OK].
4. Press .

### Related Information

- [Brother Web Connect Overview](#)

#### Related Topics:

- [Configure the Proxy Server Settings Using Web Based Management](#)

## Online Services Used with Brother Web Connect

**Related Models:** HL-L6410DN/HL-L6415DW

Use Brother Web Connect to access services from your Brother machine:

To use Brother Web Connect, you must have an account with the online service you want to use. If you do not already have an account, use a computer to access the service's website and create an account.

If you already have an account, there is no need to create an additional account.

### Google Drive™

An online document storage, editing, sharing, and file synchronisation service.

URL: [drive.google.com](http://drive.google.com)

### Evernote®

An online file storage and management service.

URL: [www.evernote.com](http://www.evernote.com)

### Dropbox

An online file storage, sharing, and synchronisation service.

URL: [www.dropbox.com](http://www.dropbox.com)

### OneDrive

An online file storage, sharing, and managing service.

URL: [onedrive.live.com](http://onedrive.live.com)

### Box

An online document editing and sharing service.

URL: [www.box.com](http://www.box.com)

### OneNote

An online document editing and sharing service.

URL: [www.onenote.com](http://www.onenote.com)

### SharePoint Online

An online content storage, sharing, and managing service.

For more information about any of these services, refer to the respective service's website.

The following table describes which file types can be used with each Brother Web Connect feature:

Accessible Services	Google Drive™ Evernote® Dropbox OneDrive Box OneNote SharePoint Online
Download and print images <sup>1</sup>	JPEG PDF DOCX XLSX PPTX

<sup>1</sup> DOC/XLS/PPT formats are also available for downloading and printing images.



(For Hong Kong, Taiwan and Korea)

Brother Web Connect supports only file names written in English. Files named in the local language will not be downloaded.

---



### Related Information

- [Brother Web Connect](#)
-

## Set Up Brother Web Connect

**Related Models:** HL-L6410DN/HL-L6415DW

- [Brother Web Connect Setup Overview](#)
- [Create an Account for Each Online Service Before Using Brother Web Connect](#)
- [Apply for Brother Web Connect Access](#)
- [Register an Account on Your Brother Machine for Brother Web Connect](#)

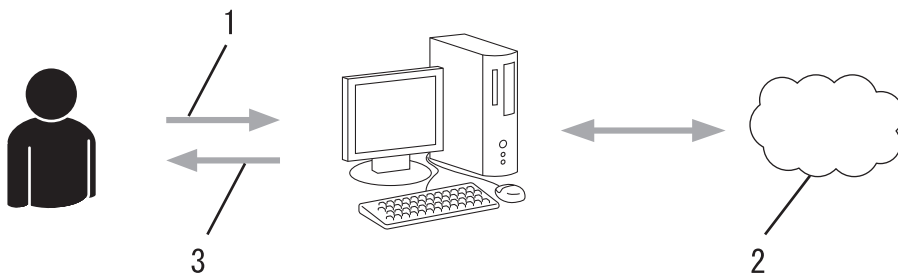
## Brother Web Connect Setup Overview

**Related Models:** HL-L6410DN/HL-L6415DW

Configure the Brother Web Connect settings using the following procedure:

### Step 1: Create an account with the service you want to use.

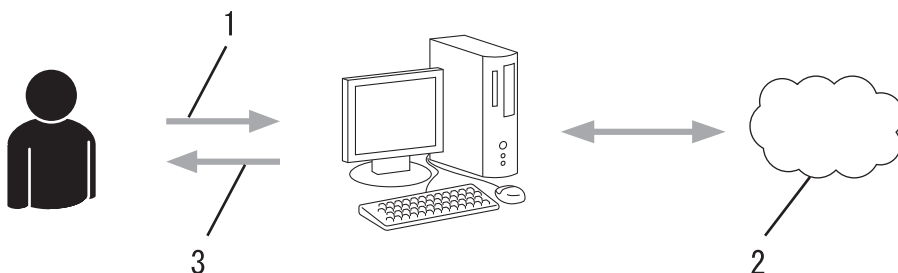
Access the service's website using a computer and create an account. (If you already have an account, there is no need to create an additional account.)



1. User registration
2. Web Service
3. Obtain account

### Step 2: Apply for Brother Web Connect access.

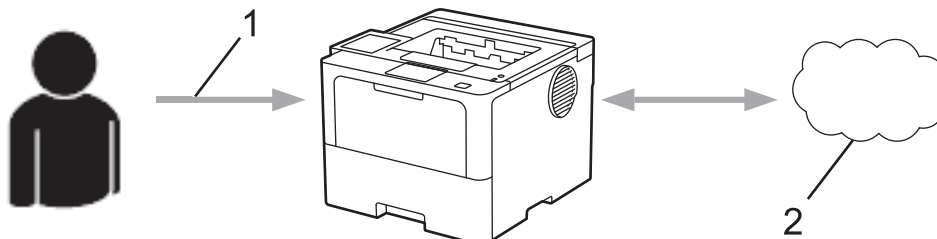
Start Brother Web Connect access using a computer and obtain a temporary ID.



1. Enter account information
2. Brother Web Connect application page
3. Obtain temporary ID

### Step 3: Register your account information on your machine so you can access the service you want to use.

Enter the temporary ID to enable the service on your machine. Specify the account name as you would like it to be displayed on the machine, and enter a PIN if you would like to use one.



1. Enter temporary ID
2. Web Service

Your Brother machine can now use the service.



## Related Information

- [Set Up Brother Web Connect](#)
-



## Create an Account for Each Online Service Before Using Brother Web Connect

**Related Models:** HL-L6410DN/HL-L6415DW

To use Brother Web Connect to access an online service, you must have an account with that online service. If you do not already have an account, use a computer to access the service's website and create an account. After creating an account, log on and use the account once with a computer before using the Brother Web Connect feature. Otherwise, you may not be able to access the service using Brother Web Connect.

If you already have an account, there is no need to create an additional account.

After you finish creating an account with the online service you want to use, apply for Brother Web Connect access.



### Related Information



- [Set Up Brother Web Connect](#)

## Apply for Brother Web Connect Access

**Related Models:** HL-L6410DN/HL-L6415DW


To use Brother Web Connect to access online services, you must first apply for Brother Web Connect access using a computer that has the Brother Software installed.

1. Access the Brother Web Connect application website:

Option	Description
Windows	Launch  ( <b>Brother Utilities</b> ), and then click the drop-down list and select your model name (if not already selected). Click <b>Do More</b> in the left navigation bar, and then click <b>Brother Web Connect</b> .   You can also access the website directly: Type <a href="http://bwc.brother.com">bwc.brother.com</a> into your web browser's address bar.
Mac	Type <a href="http://bwc.brother.com">bwc.brother.com</a> into your web browser's address bar.

The Brother Web Connect page launches.

2. Select the service you want to use.
3. Follow the on-screen instructions and apply for access.

 When using SharePoint Online, follow the on-screen instructions to register a document library.

When finished, your temporary ID appears.

Get connected with Brother Web Connect

### Finished the registration.

Please enter the following temporary ID on the LCD screen of your machine.

**Temporary ID (11 digits)**

**XXX XXXX XXXX**

NOTE : The temporary ID will expire in 24 hours.

4. Make a note of your temporary ID as you will need it to register accounts to the machine. The temporary ID is valid for 24 hours.
5. Close the web browser.

Now that you have a Brother Web Connect access ID, you must register this ID on your machine, and then use your machine to access the web service you want to use.



## Related Information

- [Set Up Brother Web Connect](#)

### **Related Topics:**

- [Register an Account on Your Brother Machine for Brother Web Connect](#)

## Register an Account on Your Brother Machine for Brother Web Connect

**Related Models:** HL-L6410DN/HL-L6415DW

You must enter your Brother Web Connect account information and configure your machine so that it can use Brother Web Connect to access the service you want.

- You must apply for Brother Web Connect access to register an account on your machine.
- Before you register an account, confirm that the correct date and time are set on the machine.

1. Press [Functions] > [Web].



- If information regarding the Internet connection appears on the machine's LCD, read the information and press [OK]. To display this information again, press [Yes].
- Occasionally, updates or announcements about Brother Web Connect's features will appear on the LCD. Read the information, and then press [OK].

2. If the information regarding licence agreement appears, make your selection and follow the on-screen instructions.

3. Press ▲ or ▼ to display the service with which you want to register.

4. Press the service name.

5. If information regarding Brother Web Connect appears, press [OK].

6. Press [Register/Delete].

7. Press [Register Account].

The machine prompts you to enter the temporary ID you received when you applied for Brother Web Connect access.

8. Press [OK].

9. Enter the temporary ID using the LCD.

10. Press [OK].

The machine prompts you to enter the account name that you want displayed on the LCD.

11. Press [OK].

12. Enter the name using the LCD.

13. Press [OK].

14. Do one of the following:

- To set a PIN for the account, press [Yes]. (A PIN prevents unauthorised access to the account.) Enter a four-digit number, and then press [OK].
- If you do not want to set a PIN, press [No].

15. When the account information you entered appears, confirm that it is correct.

16. Press [Yes] to register the new information.



An error message will appear on the LCD if the information you entered does not match the temporary ID you received when you applied for access, or if the temporary ID has expired. Enter the temporary ID correctly, or apply for access again to receive a new temporary ID.

17. Press [OK].

18. Press .

Registration is complete and your machine can now access the service.



---

## Related Information

- [Set Up Brother Web Connect](#)

### **Related Topics:**

- [How to Enter Text on Your Machine](#)
  - [Apply for Brother Web Connect Access](#)
-

## Download and Print Documents Using Brother Web Connect

**Related Models:** HL-L6410DN/HL-L6415DW

Documents that have been uploaded to your account can be downloaded directly to your machine and printed. Documents that other users have uploaded to their own accounts for sharing can also be downloaded to your machine and printed, as long as you have viewing privileges for those documents.

To download other users' documents, you must have access privileges to view the corresponding albums or documents.

If you are a restricted user for Web Connect due to the Secure Function Lock feature (available for certain models), you cannot download the data.

The Secure Function Lock Page Limit feature applies to the print job using Web Connect.



For Hong Kong, Taiwan and Korea:

Brother Web Connect supports only file names written in English. Files named in the local language will not be downloaded.



### Related Information

- [Brother Web Connect](#)
  - [Download and Print Using Web Services](#)

## Download and Print Using Web Services

**Related Models:** HL-L6410DN/HL-L6415DW

1. Press [Functions] > [Web].



- If information regarding the Internet connection appears on the machine's LCD, read the information and press [OK]. To display this information again, press [Yes].
- Occasionally, updates or announcements about Brother Web Connect's features will appear on the LCD. Read the information, and then press [OK].

2. Press ▲ or ▼ to display the service that hosts the document you want to download and print. Press the service name.
3. To log on to the service, press ▲ or ▼ to display your account name, and then press it. If the PIN entry screen appears, enter the four-digit PIN and press [OK].
4. Press ▲ or ▼ to display the folder you want, and then press it. Some services do not require documents to be saved in folders. For documents not saved in folders, select [See Unsorted Files] to select documents. Other users' documents cannot be downloaded if they are not saved in a folder.
5. Select the documents you want to print and then press [OK].
6. When finished, press [OK].
7. Follow the on-screen instructions to complete this operation.



### Related Information

- [Download and Print Documents Using Brother Web Connect](#)

#### Related Topics:

- [How to Enter Text on Your Machine](#)

## AirPrint

- [AirPrint Overview](#)
- [Before Using AirPrint \(macOS\)](#)
- [Print Using AirPrint](#)



## AirPrint Overview

AirPrint is a printing solution for Apple operating systems that allows you to wirelessly print photos, email, web pages, and documents from your iPad, iPhone, iPod touch, and Mac computer without the need to install a driver.

For more information, visit Apple's website.

Use of the Works with Apple badge means that an accessory has been designed to work specifically with the technology identified in the badge and has been certified by the developer to meet Apple performance standards.



### ✓ Related Information

- [AirPrint](#)

#### Related Topics:

- [AirPrint Problems](#)

## Before Using AirPrint (macOS)

Before printing using macOS, add your machine to the printer list on your Mac computer.

1. Select **System Preferences** from the Apple menu.
2. Click **Printers & Scanners**.
3. Click the + icon below the Printers pane on the left.  
The **Add Printer** screen appears.
4. Do one of the following:
  - macOS v12  
Select your machine, and then select your model's name from the **Use** pop-up menu.
  - macOS v11  
Select your machine, and then select **AirPrint** from the **Use** pop-up menu.
5. Click **Add Printer**.



### Related Information



- [AirPrint](#)

## Print Using AirPrint

- [Print from iPad, iPhone, or iPod touch](#)
- [Print Using AirPrint \(macOS\)](#)
- [Clear Paper Jams](#)

## Print from iPad, iPhone, or iPod touch

The procedure used to print may vary by application. Safari is used in the example below.

1. Make sure your machine is turned on.
2. Load the paper in the paper tray and change the paper tray settings on your machine.
3. Use Safari to open the page that you want to print.
4. Tap  or .
5. Tap **Print**.
6. Make sure your machine is selected.
7. If a different machine (or no machine) is selected, tap **Printer**.  
A list of available machines appears.
8. Tap your machine's name in the list.
9. Select the options you want, such as the number of pages to print and 2-sided printing (if supported by your machine).
10. Tap **Print**.



### Related Information

- [Print Using AirPrint](#)

## Print Using AirPrint (macOS)

The procedure used to print may vary by application. Safari is used in the example below. Before printing, make sure your machine is in the printer list on your Mac computer.

1. Make sure your machine is turned on.
2. Load the paper in the paper tray and change the paper tray settings on your machine.
3. On your Mac computer, use Safari to open the page that you want to print.
4. Click the **File** menu, and then select **Print**.
5. Make sure your machine is selected. If a different machine (or no machine) is selected, click the **Printer** pop-up menu, and then select your machine.
6. Select the desired options, such as the number of pages to print and 2-sided printing (if supported by your machine).
7. Click **Print**.



### Related Information

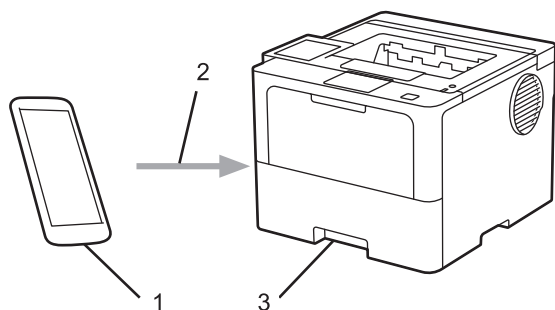
- [Print Using AirPrint](#)

#### Related Topics:

- [Before Using AirPrint \(macOS\)](#)

## Mopria™ Print Service

Mopria™ Print Service is a print feature on Android™ mobile devices developed by the Mopria Alliance™. With this service, you can connect to the same network as your machine and print without additional setup.



1. Android™ Mobile Device
2. Wi-Fi® Connection
3. Your Machine

You must download the Mopria™ Print Service from Google Play™ and install it on your Android™ device. Before using this Mopria™ feature, make sure you enable it on your mobile device.



### Related Information

- [Mobile/Web Connect](#)

## Brother Mobile Connect

Use Brother Mobile Connect to print from your mobile device.

- For Android™ devices:

Brother Mobile Connect allows you to use your Brother machine's features directly from your Android™ device.

Download and install Brother Mobile Connect from Google Play™.

- For all iOS or iPadOS supported devices including iPhone, iPad, and iPod touch:

Brother Mobile Connect allows you to use your Brother machine's features directly from your iOS or iPadOS device.

Download and install Brother Mobile Connect from the App Store.



### Related Information

- [Mobile/Web Connect](#)

#### Related Topics:

- [Access Brother iPrint&Scan \(Windows/Mac\)](#)
-

## Register an External IC Card Reader

**Related Models:** HL-L6410DN/HL-L6415DW

When you connect an external IC card reader, use Web Based Management to register the card reader. Your machine supports HID class driver supported external IC card readers.

1. Start your web browser.
2. Type "https://machine's IP address" in your browser's address bar (where "machine's IP address" is your machine's IP address).

For example:

https://192.168.1.2

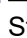
3. If required, type the password in the **Login** field, and then click **Login**.



The default password to manage this machine's settings is located on the back of the machine and marked "Pwd".

4. Go to the navigation menu, and then click **Administrator** > **External Card Reader**.



Start from , if the navigation menu is not shown on the left side of the screen.

5. Enter the necessary information.
6. Click **Submit**.
7. Restart your Brother machine to activate the configuration.



### Related Information

- [Mobile/Web Connect](#)



## Brother iPrint&Scan

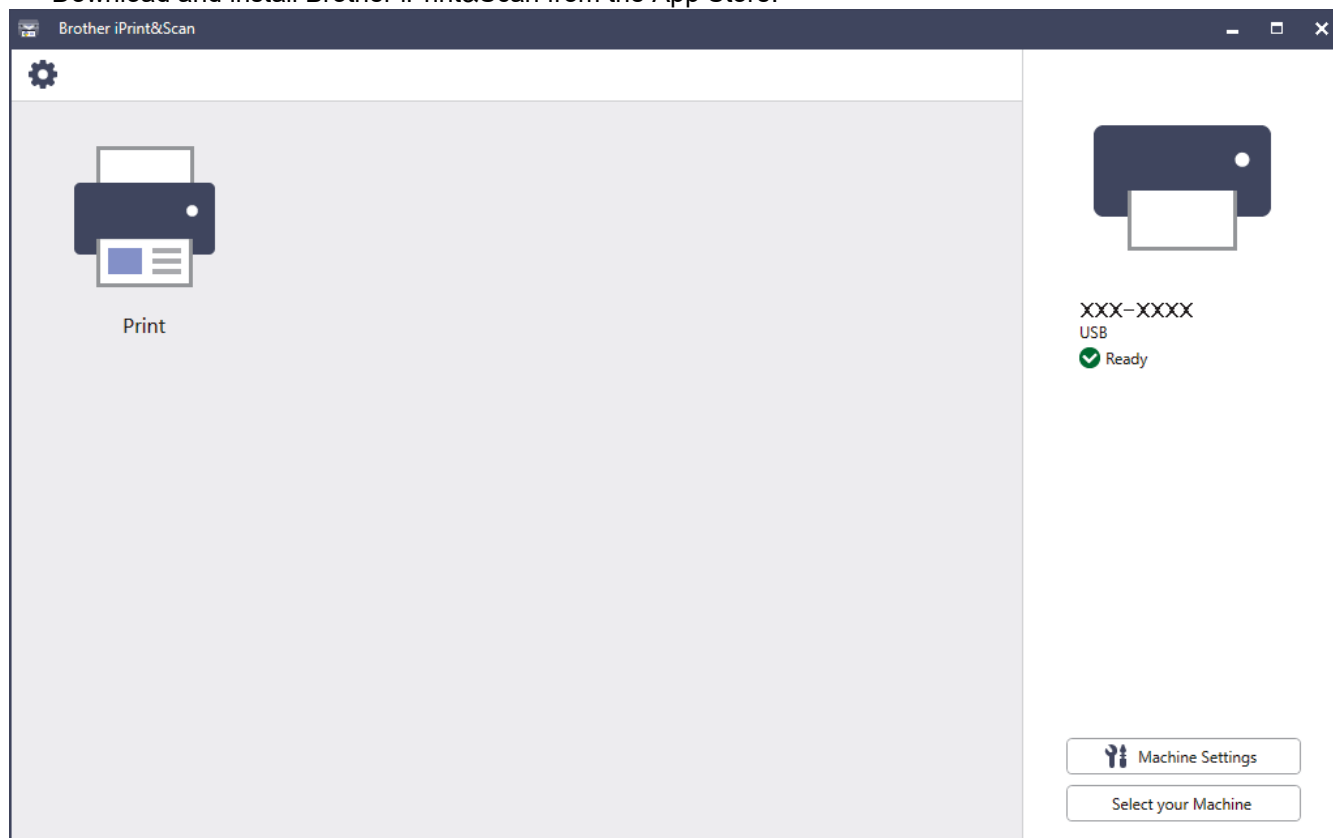
- [Access Brother iPrint&Scan \(Windows/Mac\)](#)

## Access Brother iPrint&Scan (Windows/Mac)

Use Brother iPrint&Scan for Windows and Mac to print from your computer.

The following screen shows an example of Brother iPrint&Scan for Windows. The actual screen may differ depending on the version of the application.

- For Windows  
Go to your model's **Downloads** page at [support.brother.com](http://support.brother.com) to download the latest application.
- For Mac  
Download and install Brother iPrint&Scan from the App Store.



 If prompted, install the driver and software necessary to use your machine. Download the installer from your model's **Downloads** page at [support.brother.com](http://support.brother.com).

### Related Information

- [Brother iPrint&Scan](#)

#### Related Topics:

- [Brother Mobile Connect](#)

## Troubleshooting

Use this section to resolve typical problems you may encounter when using your machine. You can correct most problems yourself.

### IMPORTANT

For technical help, you must call Brother customer service or your local Brother dealer.



If you need additional help, visit [support.brother.com](http://support.brother.com).

First, check the following:

- The machine's power cord is connected correctly and the machine's power is on. See the *Quick Setup Guide*.
- All of the protective materials have been removed. See the *Quick Setup Guide*.
- Paper is loaded correctly in the paper tray.
- The interface cables are securely connected to the machine and the computer, or the wireless connection is set up on both the machine and your computer.
- Error and maintenance messages

If you did not solve the problem with the checks, identify the problem and then see *Related Information*.



### Related Information

- [Error and Maintenance Messages](#)
- [Error Messages When Using the Brother Web Connect Feature](#)
- [Paper Jams](#)
- [Printing Problems](#)
- [Improve the Print Quality](#)
- [Network Problems](#)
- [AirPrint Problems](#)
- [Other Problems](#)
- [Check the Machine Information](#)
- [Reset Functions](#)

## Error and Maintenance Messages

As with any sophisticated office product, errors may occur and supply items may have to be replaced. If this happens, your machine identifies the error or required routine maintenance and shows the appropriate message. The most common error and maintenance messages are shown in the table.


Follow the instructions in the **Action** column to solve the error and remove the message.

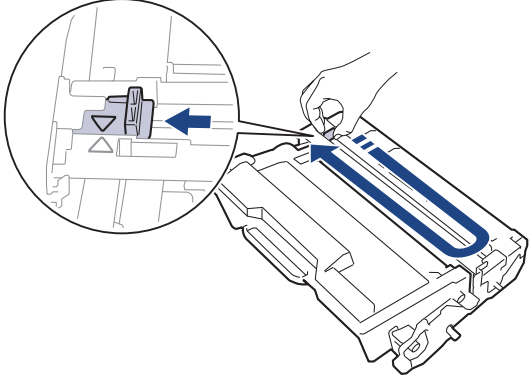
You can correct most errors and perform routine maintenance by yourself. If you need more tips: Visit [support.brother.com](http://support.brother.com), and click the **FAQs & Troubleshooting** page.


>> [HL-L5210DN/HL-L5210DW/HL-L6210DW](#)


>> [HL-L6410DN/HL-L6415DW](#)

### HL-L5210DN/HL-L5210DW/HL-L6210DW

Error Message	Cause	Action
2-sided Disabled	The back cover of the machine is not closed completely.	Close the back cover of the machine until it locks in the closed position.
	The 2-sided tray is not installed completely.	Install the 2-sided tray firmly in the machine.
Access Denied	The function you want to use is restricted by Secure Function Lock 3.0.	Call your administrator to check your Secure Function Lock Settings.
Cannot Detect	Your machine cannot detect the toner cartridge.	Remove the toner cartridge and drum unit assembly. Remove the toner cartridge from the drum unit, and reinstall the toner cartridge back in the drum unit.  Reinstall the toner cartridge and drum unit assembly back in the machine.  <i>See Related Information: Replace the Toner Cartridge.</i>
Cannot Print ##	The machine has a mechanical problem.	<ul style="list-style-type: none"> <li>Press and hold  to turn the machine off, wait a few minutes, and then turn it on again.</li> <li>If the problem continues, contact Brother customer service or your local Brother dealer.</li> </ul>
Change T1 Paper?	The standard paper tray is not installed or not installed correctly.	Reinstall the standard paper tray.
Cooling Down	The temperature of the inside of the machine is too hot. The machine pauses its current print job and goes into Cooling Down mode.	Wait until the machine has finished cooling down. Make sure all vents on the machine are clear of obstructions.  When the machine has cooled down, the machine will resume printing.
Cover is Open	The front cover is not completely closed.	Open and then firmly close the front cover of the machine.
Cover is Open	The fuser cover is not completely closed.	Close the fuser cover located inside the back cover of the machine.


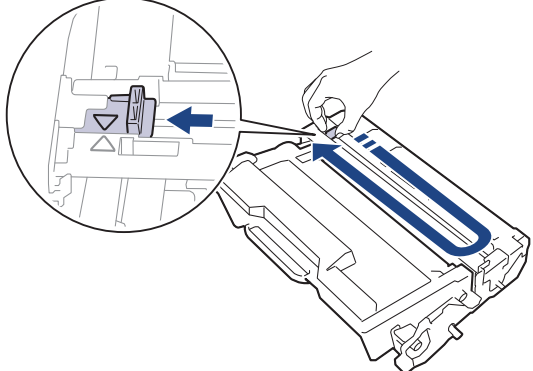
Error Message	Cause	Action
Drum !	The corona wire on the drum unit must be cleaned.	<p>Clean the corona wire on the drum unit.</p>  <p>See <i>Related Information: Clean the Corona Wire.</i></p> <p>If the problem continues, replace the drum unit with a new one.</p>
	The drum unit or the toner cartridge and drum unit assembly is not installed correctly.	Remove the drum unit, remove the toner cartridge from the drum unit, and put the toner cartridge back into the drum unit. Reinstall the drum unit in the machine.
Drum End Soon	The drum unit is near the end of its life.	Order a new drum unit before the LCD displays <i>Replace Drum</i> .
Jam 2-sided	The paper is jammed in the 2-sided tray or inside the back cover.	Remove the 2-sided tray and open the back cover to pull out all jammed paper.
Jam Inside	The paper is jammed inside the machine.	Open the front cover, remove the toner cartridge and drum unit assembly, and pull out all jammed paper. Close the front cover.
Jam MP Tray	The paper is jammed in the MP tray.	Remove all jammed paper from in and around the MP tray. Press <b>Go</b> .
Jam Rear	The paper is jammed in the back of the machine.	Open the fuser cover and remove all jammed paper. Close the fuser cover. If the error message remains, press <b>Go</b> .
Jam Tray 1 Jam Tray 2 Jam Tray 3 Jam Tray 4	The paper is jammed in the indicated paper tray.	Pull out the paper tray indicated on the LCD and remove all jammed paper.
Limit Exceeded	The print limit set in Secure Function Lock 3.0 was reached.	Contact your administrator to check your Secure Function Lock Settings.
Media Mismatch	The media type specified in the printer driver differs from the paper type specified in the machine's menu.	Load the correct type of paper in the tray indicated on the LCD, and then select the correct media type in the Paper Type setting on the machine.
No Drum Unit	The drum unit is not installed correctly.	Reinstall the toner cartridge and drum unit assembly. <i>See Related Information: Replace the Drum Unit.</i>
No Paper	The machine is out of paper, or paper is not loaded correctly in the paper trays.	<ul style="list-style-type: none"> <li>• Refill paper in the paper trays. Make sure the paper guides are set to the correct size.</li> <li>• If paper is in the tray, remove it and load it again. Make sure the paper guides are set to the correct size.</li> <li>• Do not overfill the paper tray.</li> </ul>

Error Message	Cause	Action
No Paper Fed T1 No Paper Fed T2 No Paper Fed T3 No Paper Fed T4	The machine cannot feed paper from the indicated paper tray.	Pull out the paper tray indicated on the LCD and remove all jammed paper. Press <b>Go</b> .
No Paper MP	The MP tray is out of paper, or paper is not loaded correctly in the MP tray.	Do one of the following: <ul style="list-style-type: none"> <li>• Refill paper in the MP tray. Make sure the paper guides are set to the correct size.</li> <li>• If paper is in the tray, remove it and load it again. Make sure the paper guides are set to the correct size.</li> </ul>
No Paper T1 No Paper T2 No Paper T3 No Paper T4	The machine cannot feed paper from the indicated paper tray.	Do one of the following: <ul style="list-style-type: none"> <li>• Refill paper in the paper tray indicated on the LCD. Make sure the paper guides are set to the correct size.</li> <li>• If paper is in the tray, remove it and load it again. Make sure the paper guides are set to the correct size.</li> <li>• Do not overfill the paper tray.</li> </ul>
No Toner	The toner cartridge or the toner cartridge and drum unit assembly is not installed correctly.	Remove the toner cartridge and drum unit assembly. Remove the toner cartridge from the drum unit, and reinstall the toner cartridge back in the drum unit.  Reinstall the toner cartridge and drum unit assembly back in the machine. If the problem continues, replace the toner cartridge with a new one.  <i>See Related Information: Replace the Toner Cartridge.</i>
No Tray T1 No Tray T2 No Tray T3 No Tray T4	The paper tray is not installed or not installed correctly.	Reinstall the paper tray indicated on the LCD.
Out of Memory	The machine's memory is full.	Press and hold <b>Go</b> for about two seconds and reduce the print resolution.
Output Tray Full	The output paper tray is full.	Remove the printed paper from the Face-down output tray.
Paper Low Tray 1 Paper Low Tray 2 Paper Low Tray 3 Paper Low Tray 4	The paper tray is nearly empty.	Refill the paper in the paper tray indicated on the LCD.
Print Data Full	The machine's memory is full.	Press <b>Cancel</b> and delete the previously stored print data.
Replace Drum	It is time to replace the drum unit.	Replace the drum unit with a new one.  <i>See Related Information: Replace the Drum Unit.</i>
Replace Toner	The toner cartridge is at the end of its life. The machine stops all print operations.	Replace the toner cartridge with a new one.  <i>See Related Information: Replace the Toner Cartridge.</i>
Self-Diagnostic	The fuser unit does not work correctly.	Press and hold  to turn the machine off, wait a few seconds, and then turn it on again. Leave the machine idle for 15 minutes with the power on.
	The fuser unit is too hot.	

Error Message	Cause	Action
Size Error	The paper tray you selected does not support the paper size specified in the printer driver.	Change the printer driver setting or machine's tray setting so that the paper size selected in the printer driver matches the paper size loaded in the tray you selected.
Size Error DX	The paper size specified in the machine's paper size setting is not suitable for automatic 2-sided printing.	Press and hold <b>Go</b> for about two seconds (if required). Load the correct size of paper in the tray and set the tray for that paper size.
	The paper in the tray is not the correct size and is not suitable for automatic 2-sided printing.	Choose a paper size suitable for 2-sided printing. (For models without the lever on the 2-sided tray) The paper size suitable for automatic 2-sided printing is A4. (For models with the lever on the 2-sided tray) The paper sizes suitable for automatic 2-sided printing are A4, Letter, Legal, Mexico Legal, India Legal and Folio.
Size Mismatch	The paper in the tray is not the correct size.	Load the correct size of paper in the tray indicated on the LCD and set the size of paper for the tray. Press <b>Go</b> .
Storage Full	The USB flash memory drive you are using does not have enough free space to store secure print data.	Delete the previously stored secure print data.
Toner Low	If the LCD displays this message, you can still print. The toner cartridge is near the end of its life.	Order a new toner cartridge now so you have it ready when the LCD displays <i>Replace Toner</i> .
Too Many Trays	The number of installed Optional Trays exceeds the maximum number.	Reduce the number of Optional Trays.
Unusable Device	An unsupported USB device has been connected to the USB accessory port.	<ul style="list-style-type: none"> <li>Unplug the device from the USB accessory port.</li> <li>Press and hold  to turn the machine off, and then turn it on again.</li> </ul>
	A defective USB device or a high power consumption USB device has been connected to the USB accessory port.	





## HL-L6410DN/HL-L6415DW




Error Message	Cause	Action
2-sided Disabled	The back cover of the machine is not closed completely.	Close the back cover of the machine until it locks in the closed position.
	The 2-sided tray is not installed completely.	Install the 2-sided tray firmly in the machine.
Access Denied	The function you want to use is restricted by Secure Function Lock 3.0.	Call your administrator to check your Secure Function Lock Settings.
Cannot Detect	Your machine cannot detect the toner cartridge.	Remove the toner cartridge and drum unit assembly. Remove the toner cartridge from the drum unit, and reinstall the toner cartridge back in the drum unit.  Reinstall the toner cartridge and drum unit assembly back in the machine.
	Your machine cannot detect the drum unit.	

Error Message	Cause	Action
Cannot Print ##	The machine has a mechanical problem.	<ul style="list-style-type: none"> <li>Press and hold  to turn the machine off, wait a few minutes, and then turn it on again.</li> <li>If the problem continues, contact Brother customer service or your local Brother dealer.</li> </ul>
Cooling Down	The temperature of the inside of the machine is too hot. The machine pauses its current print job and goes into Cooling Down mode.	<p>Wait until the machine has finished cooling down. Make sure all vents on the machine are clear of obstructions.</p> <p>When the machine has cooled down, the machine will resume printing.</p>
Cover is Open	The front cover is not completely closed.	Open and then firmly close the front cover of the machine.
Cover is Open	The fuser cover is not completely closed.	Close the fuser cover located inside the back cover of the machine.
Cover is Open	The Mailbox back cover is not completely closed.	Close the Mailbox back cover.
Drum !	The corona wire on the drum unit must be cleaned.	<p>Clean the corona wire on the drum unit.</p>  <p>See <i>Related Information: Clean the Corona Wire.</i></p> <p>If the problem continues, replace the drum unit with a new one.</p>
	The drum unit or the toner cartridge and drum unit assembly is not installed correctly.	Remove the toner cartridge and drum unit assembly. Remove the toner cartridge from the drum unit, and reinstall the toner cartridge back into the drum unit. Reinstall the toner cartridge and drum unit assembly into the machine.
Drum Error	The drum unit is not installed correctly.	<p>Reinstall the toner cartridge and drum unit assembly.</p> <p>If the problem continues, replace the drum unit with a new one.</p>
Jam 2-sided	The paper is jammed in the 2-sided tray or inside the back cover.	Remove the 2-sided tray and open the back cover to pull out all jammed paper.
Jam Inside	The paper is jammed inside the machine.	Open the front cover, remove the toner cartridge and drum unit assembly, and pull out all jammed paper. Close the front cover.
Jam Mailbox	The paper is jammed in the Mailbox unit.	Remove all jammed paper from the Mailbox unit as shown on the LCD.
Jam MP Tray	The paper is jammed in the MP tray.	Remove all jammed paper from in and around the MP tray. Press <b>Retry</b> .



Error Message	Cause	Action
Jam Rear	The paper is jammed in the back of the machine.	Open the fuser cover and remove all jammed paper. Close the fuser cover. If the error message remains, press <code>Retry</code> .
Jam Tray1 Jam Tray2 Jam Tray3 Jam Tray4	The paper is jammed in the indicated paper tray.	Pull out the paper tray and remove all jammed paper as shown in the animation on the LCD.
Limit Exceeded	The print limit set in Secure Function Lock 3.0 was reached.	Contact your administrator to check your Secure Function Lock Settings.
Many Output Trays	Either bin 2 tray or bin 4 tray was removed from the Mailbox unit.	To use the Mailbox unit in 2-bin mode, remove both bin 2 tray and bin 4 tray. To use the Mailbox unit in 4-bin mode, install both bin 2 tray and bin 4 tray.
Media Type Mismatch	The media type specified in the printer driver differs from the paper type specified in the machine's menu.	Load the correct type of paper in the tray indicated on the LCD, and then select the correct media type in the Paper Type setting on the machine.
No Drum	The drum unit is not installed correctly.	Reinstall the toner cartridge and drum unit assembly. <i>See Related Information: Replace the Drum Unit.</i>
No Drum Unit	The drum unit is not installed correctly.	Reinstall the toner cartridge and drum unit assembly. <i>See Related Information: Replace the Drum Unit.</i>
No HUB Support	A USB hub device is connected to the USB accessory port.	Disconnect the USB hub device from the USB accessory port.
No Paper	The machine is out of paper, or paper is not loaded correctly in the paper trays.	<ul style="list-style-type: none"> <li>• Refill paper in the paper trays. Make sure the paper guides are set to the correct size.</li> <li>• If paper is in the tray, remove it and load it again. Make sure the paper guides are set to the correct size.</li> <li>• Do not overfill the paper tray.</li> </ul>
No Paper Fed Tray1 No Paper Fed Tray2 No Paper Fed Tray3 No Paper Fed Tray4	The machine cannot feed paper from the indicated paper tray.	Pull out the paper tray indicated on the LCD and remove all jammed paper. Press <code>Retry</code> .
No Paper MP Tray	The MP tray is out of paper, or paper is not loaded correctly in the MP tray.	Do one of the following: <ul style="list-style-type: none"> <li>• Refill paper in the MP tray. Make sure the paper guides are set to the correct size.</li> <li>• If paper is in the tray, remove it and load it again. Make sure the paper guides are set to the correct size.</li> </ul>
No Paper Tray1 No Paper Tray2 No Paper Tray3 No Paper Tray4	The machine cannot feed paper from the indicated paper tray.	Do one of the following: <ul style="list-style-type: none"> <li>• Refill paper in the paper tray indicated on the LCD. Make sure the paper guides are set to the correct size.</li> <li>• If paper is in the tray, remove it and load it again. Make sure the paper guides are set to the correct size.</li> <li>• Do not overfill the paper tray.</li> </ul>

Error Message	Cause	Action
No Response	An unsupported USB device has been connected to the USB accessory port.	<ul style="list-style-type: none"> <li>Unplug the device from the USB accessory port.</li> <li>Press and hold  to turn the machine off, and then turn it on again.</li> </ul> <p>See <i>Related Information: Secure Print Using a USB Flash Drive.</i></p>
No Toner	The toner cartridge is not installed correctly.	<p>Remove the toner cartridge and drum unit assembly. Remove the toner cartridge from the drum unit, and reinstall the toner cartridge back in the drum unit.</p> <p>See <i>Related Information: Replace the Toner Cartridge.</i></p>
No Tray1 No Tray2 No Tray3 No Tray4	The paper tray is not installed or not installed correctly.	Reinstall the paper tray indicated on the LCD.
Out of Memory	The machine's memory is full.	Press  and reduce the print resolution.
Output Tray Full	The output paper tray is full.	Remove the printed paper from the output tray indicated on the LCD.
Paper Low Paper Low Tray 1 Paper Low Tray 2 Paper Low Tray 3 Paper Low Tray 4	The paper tray is nearly empty.	Refill the paper in the paper tray indicated on the LCD.
Print Data Full	The machine's memory is full.	Press  and delete the previously stored secure print data.
Replace Toner	The toner cartridge is at the end of its life.	<p>Replace the toner cartridge with a new one.</p> <p>See <i>Related Information: Replace the Toner Cartridge.</i></p>
Screen Init. Fail	The touchscreen was pressed before the power on initialisation was completed.	Make sure nothing is touching the touchscreen.
	Debris may be stuck between the lower part of the touchscreen and its frame.	Insert a piece of stiff paper between the lower part of the touchscreen and its frame and slide it back and forth to push out any debris.
Self-Diagnostic	The fuser unit does not work correctly.	<p>Press and hold  to turn the machine off, wait a few seconds, and then turn it on again. Leave the machine idle for 15 minutes with the power on.</p>
	The fuser unit is too hot.	
Size Error	The paper tray you selected does not support the paper size specified in the printer driver.	Change the printer driver setting or machine's tray setting so that the paper size selected in the printer driver matches the paper size loaded in the tray you selected.

Error Message	Cause	Action
Size Error 2-sided	The paper size specified in the machine's paper size setting is not suitable for automatic 2-sided printing.	Press  (if required). Load the correct size of paper in the tray and set the tray for that paper size.
	The paper in the tray is not the correct size and is not suitable for automatic 2-sided printing.	Choose a paper size suitable for 2-sided printing. (For models without the lever on the 2-sided tray) The paper size suitable for automatic 2-sided printing is A4. (For models with the lever on the 2-sided tray) The paper sizes suitable for automatic 2-sided printing are A4, Letter, Legal, Mexico Legal, India Legal and Folio.
Size Mismatch	The paper in the tray is not the correct size.	Load the correct size of paper in the tray indicated on the LCD and set the size of paper for the tray. Press <i>Retry</i> .
Storage device not recognized	Your machine cannot read from or write to the USB flash memory drive.	Press and hold  to turn the machine off, and then turn it on again. If the problem continues, reset the Job save location. <i>See Related Information: Secure Print Using a USB Flash Drive.</i>
Storage Full	The USB flash memory drive you are using does not have enough free space to store print data.	Delete the previously stored print data from the USB flash memory drive.
Supplies Drum End Soon	The drum unit is near the end of its life.	Order a new drum unit before the LCD displays <i>Replace Drum</i> .
Supplies Replace Drum	It is time to replace the drum unit.	Replace the drum unit with a new one. <i>See Related Information: Replace the Drum Unit.</i>
Supplies Toner Low:	If the LCD displays this message, you can still print. The toner cartridge is near the end of its life.	Order a new toner cartridge now so you have it ready when the LCD displays <i>Replace Toner</i> .
Too Many Trays	The number of installed Optional Trays exceeds the maximum number.	Reduce the number of Optional Trays.
Tray removed	The standard paper tray is not installed or not installed correctly.	Reinstall the standard paper tray.
Unusable Device	A defective USB device or a high power consumption USB device has been connected to the USB accessory port.	<ul style="list-style-type: none"> <li>Unplug the device from the USB accessory port.</li> <li>Press and hold  to turn the machine off, and then turn it on again.</li> </ul>
USB flash drive not detected	Your machine cannot detect a USB flash memory drive.	Insert a USB flash memory drive to the USB accessory port.
Wrong Drum	The installed drum unit is not correct for your machine.	Remove the drum unit, and install a drum unit with the correct supply product code. <i>See Related Information: Replace the Drum Unit.</i>
Wrong Toner Cartridge	The installed toner cartridge is not the correct toner cartridge for your machine.	Remove the toner cartridge from the drum unit, and install a toner cartridge with the correct supply product code. <i>See Related Information: Replace the Toner Cartridge.</i>



## Related Information

- [Troubleshooting](#)

### **Related Topics:**

- [Clean the Corona Wire](#)
- [Replace the Toner Cartridge](#)
- [Replace the Drum Unit](#)
- [Secure Print Using a USB Flash Drive](#)

## Error Messages When Using the Brother Web Connect Feature

**Related Models:** HL-L6410DN/HL-L6415DW

Your machine displays an error message if an error occurs. The most common error messages are shown in the table.

You can correct most errors yourself. If, after reading this table, you still need help, see the latest troubleshooting tips at [support.brother.com](http://support.brother.com).

### Connection Error

Error Messages	Cause	Action
Connection Error 02 Network connection failed. Verify that the network connection is good.	The machine is not connected to a network.	<ul style="list-style-type: none"> <li>Make sure the eligible IP address is assigned to your machine.</li> <li>Check your access point/router is active and the Internet connection is established.</li> <li>Make sure the wireless router/access point is on.</li> <li>If the Web button was pressed soon after the machine was turned on, the network connection may not have been established yet. Wait and try again.</li> </ul>
Connection Error 03 Connection failed to server. Check network settings.	<ul style="list-style-type: none"> <li>Network or server settings are incorrect.</li> <li>There is a problem with the network or server.</li> </ul>	<ul style="list-style-type: none"> <li>Confirm that network settings are correct, or wait and try again later.</li> <li>If the Web button was pressed soon after the machine was turned on, the network connection may not have been established yet. Wait and try again.</li> </ul> <p><i>See Related Information: Configure Date and Time Using Web Based Management.</i></p>
Connection Error 07 Connection failed to server. Wrong Date&Time.	Date and time settings are incorrect.	Set the date and time correctly. Note that if the machine's power cord is disconnected, the date and time settings may have reset to factory settings.

### Authentication Error

Error Messages	Cause	Action
Authentication Error 01 Incorrect PIN code. Enter PIN correctly.	The PIN you entered to access the account is incorrect. The PIN is the four-digit number that was entered when registering the account to the machine.	Enter the correct PIN.
Authentication Error 02 Incorrect or expired ID, or this temporary ID is already used. Enter correctly or reissue temporary ID. Temporary ID is valid for 24 hours after it is issued.	The temporary ID that was entered is incorrect.	Enter the correct temporary ID.
	The temporary ID that was entered has expired. A temporary ID is valid for 24 hours.	Apply for Brother Web Connect access again and receive a new temporary ID, and then use the new ID to register the account to the machine.

Error Messages	Cause	Action
Authentication Error 03 Display name has already been registered. Enter another display name.	The name you entered as the display name has already been registered to another service user.	Enter a different display name.

## Server Error

Error Messages	Cause	Action
Server Error 01 Authentication failed. Do the following: 1. Go to <a href="http://bwc.brother.com">http://bwc.brother.com</a> to get a new temporary ID. 2. Press OK and enter your new temporary ID in the next screen.	The machine's authentication information (needed to access the service) has expired or is invalid.	Apply for Brother Web Connect access again to receive a new temporary ID, and then use the new ID to register the account to the machine.
Server Error 13 Service temporarily unavailable. Try again later.	There is a problem with the service and it cannot be used now.	Wait and try again. If you get the message again, access the service from a computer to confirm if it is unavailable.



### Related Information

- [Troubleshooting](#)

#### Related Topics:

- [Configure Date and Time Using Web Based Management](#)

## Paper Jams

Always remove the remaining paper from the paper tray and straighten the stack when you are adding new paper. This helps prevent multiple sheets of paper from feeding through the machine at one time and prevents paper jams.

- [Clear Paper Jams](#)
- [Paper is Jammed in the MP tray](#)
- [Paper is Jammed in the Paper Tray](#)
- [Paper is Jammed in the Back of the Machine](#)
- [Paper is Jammed inside the Machine](#)
- [Paper is Jammed in the 2-sided Tray](#)
- [Paper is Jammed in the Mailbox Unit](#)

## Clear Paper Jams

If paper is jammed or multiple sheets of paper are fed together frequently, do the following:

- Clean the paper pick-up rollers and the separator pad of paper trays.  
*See Related Information: Clean the Paper Pick-up Rollers.*
- Load paper correctly in the tray.  
*See Related Information: Load Paper.*
- Set the correct paper size and paper type on your machine.  
*See Related Information: Paper Settings.*
- Set the correct paper size and paper type on your computer.  
*See Related Information: Print a Document (Windows).*  
*See Related Information: Print Using AirPrint.*
- Use the recommended paper.  
*See Related Information: Using Special Paper.*



### Related Information

- [Paper Jams](#)

#### Related Topics:

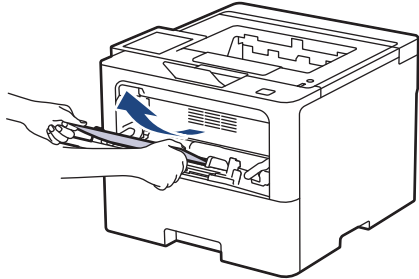
- [Clean the Paper Pick-up Rollers](#)
- [Load Paper](#)
- [Paper Settings](#)
- [Print a Document \(Windows\)](#)
- [Print Using AirPrint](#)
- [Using Special Paper](#)



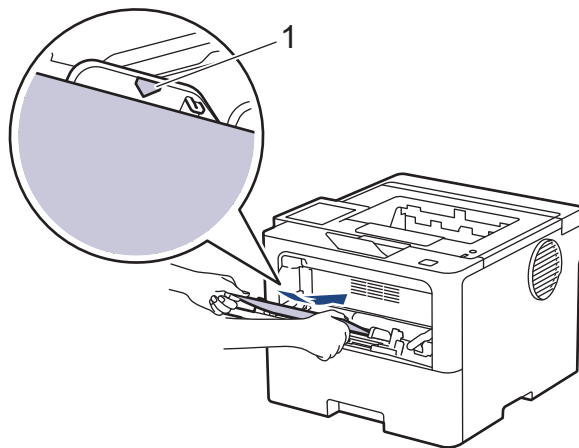
## Paper is Jammed in the MP tray

If the machine's control panel or the Status Monitor indicates that there is a jam in the machine's MP tray, follow these steps:

1. Remove the paper from the MP tray.
2. Slowly remove any jammed paper from in and around the MP tray.



3. Fan the paper stack, and then put it back in the MP tray.
4. Reload paper in the MP tray and make sure the paper stays under the maximum paper mark (1) on both sides of the tray.



5. Follow the instructions on the machine's LCD.

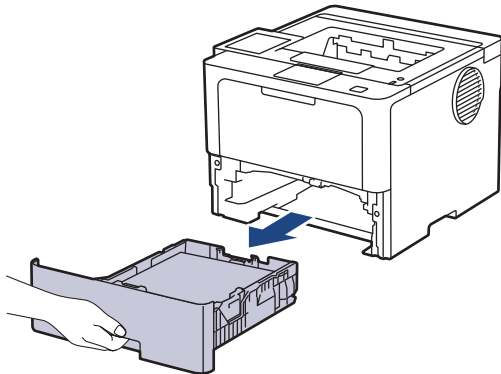
### ✓ Related Information

- [Paper Jams](#)

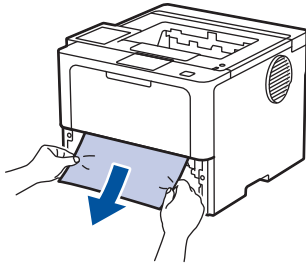
## Paper is Jammed in the Paper Tray


If the machine's control panel or the Status Monitor indicates that there is a jam in the paper tray, follow these steps:

1. Pull the paper tray completely out of the machine.

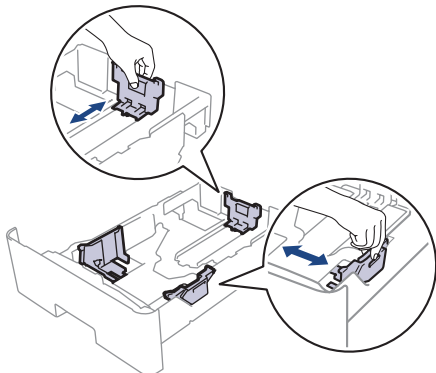


2. Slowly pull out the jammed paper.

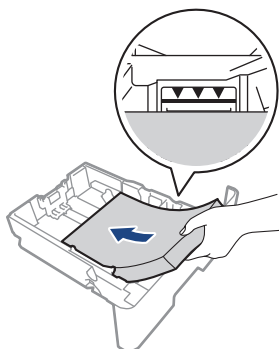


 Pulling the jammed paper downwards using both hands allows you to remove the paper more easily.

3. Fan the stack of paper to prevent further jams, and slide the paper guides to fit the paper size. Load paper in the paper tray.



4. Make sure the paper is below the maximum paper mark (▼▼▼).



5. Put the paper tray firmly back in the machine.



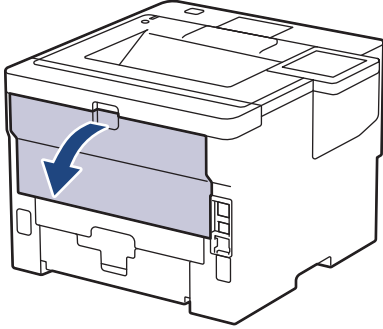
## Related Information

- [Paper Jams](#)
-

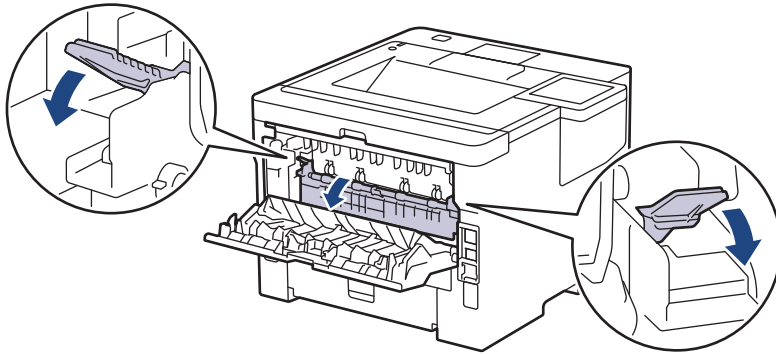
## Paper is Jammed in the Back of the Machine

If the machine's control panel or the Status Monitor indicates that there is a jam in the back of the machine (Jam Rear), do the following:

1. Leave the machine turned on for 10 minutes for the internal fan to cool the extremely hot parts inside the machine.
2. Open the back cover.



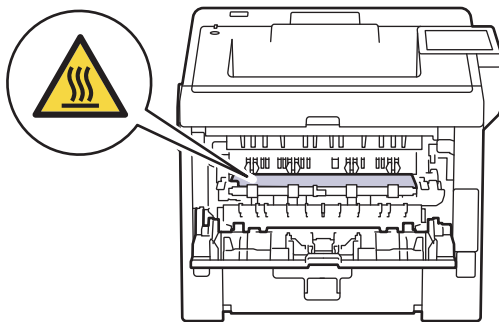
3. Pull the green levers at the left and right sides towards you to release the fuser cover.



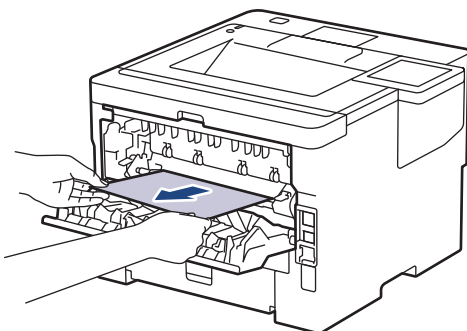
### WARNING

#### HOT SURFACE

The machine's internal parts will be extremely hot. Wait for the machine to cool down before touching them.

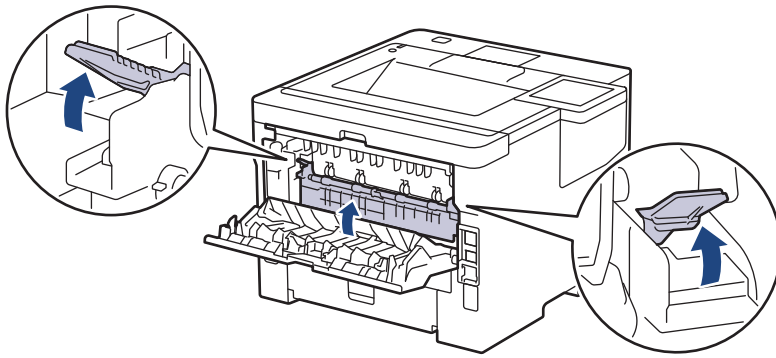


4. Use both hands to gently pull the jammed paper out of the machine.



---

5. Close the fuser cover.



6. Close the back cover until it locks in the closed position.



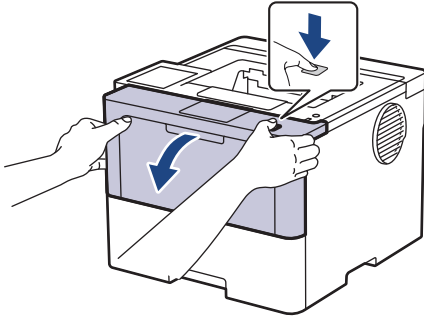
### Related Information

- [Paper Jams](#)

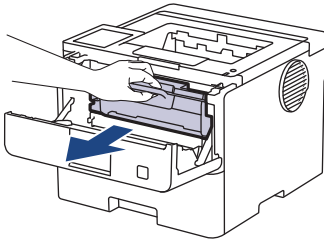
## Paper is Jammed inside the Machine

If the machine's control panel or the Status Monitor indicates that there is a jam inside the machine, follow these steps:

1. Leave the machine turned on for 10 minutes for the internal fan to cool the extremely hot parts inside the machine.
2. Open the front cover.



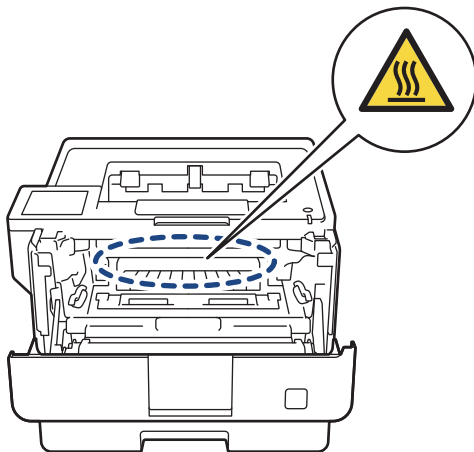
3. Remove the toner cartridge and drum unit assembly.



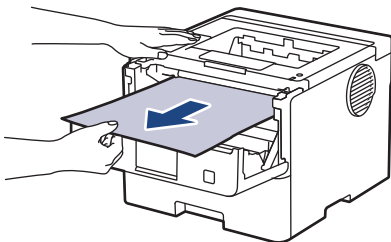
### WARNING

#### HOT SURFACE

The machine's internal parts will be extremely hot. Wait for the machine to cool down before touching them.

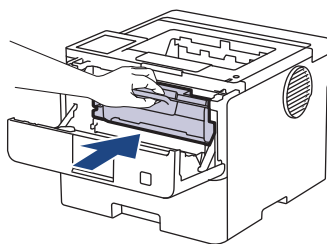


4. Pull out the jammed paper slowly.



---

5. Install the toner cartridge and drum unit assembly into the machine.



6. Close the front cover.



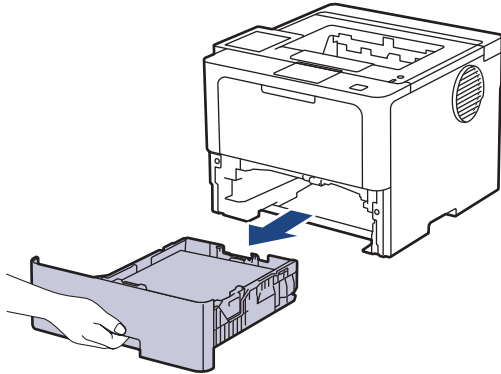
### Related Information

- [Paper Jams](#)

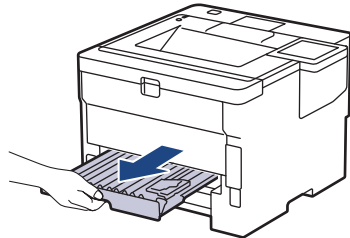
## Paper is Jammed in the 2-sided Tray

If the machine's control panel or the Status Monitor indicates that there is a jam in the 2-sided paper tray, follow these steps:

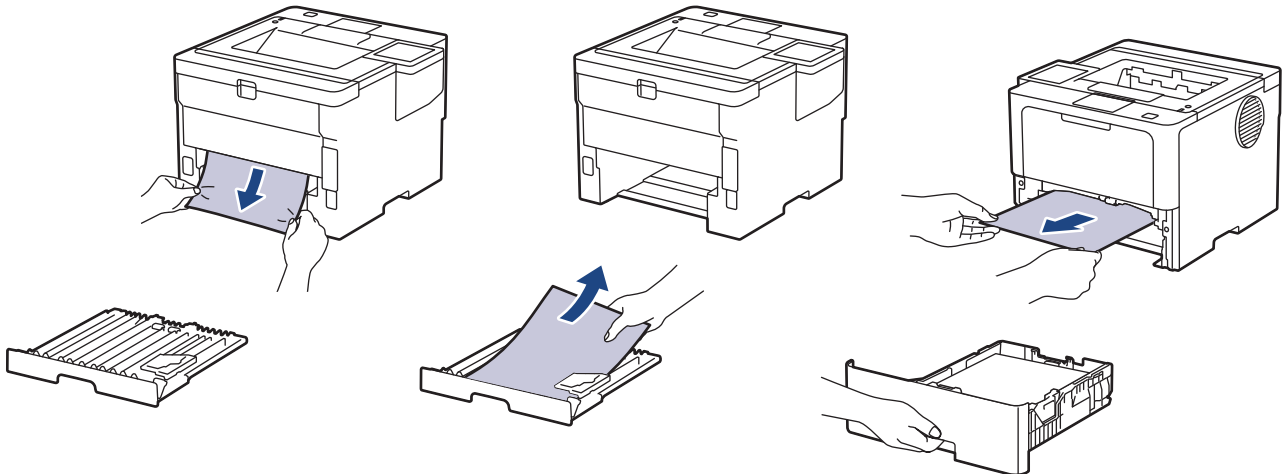
1. Leave the machine turned on for 10 minutes for the internal fan to cool the extremely hot parts inside the machine.
2. Pull the paper tray completely out of the machine.



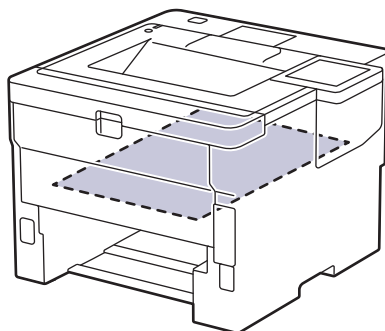
3. At the back of the machine, pull the 2-sided tray completely out of the machine.



4. Pull the jammed paper out of the machine or out of the 2-sided tray.



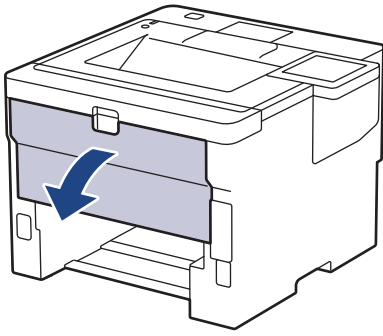
5. Remove paper that may have jammed under the machine due to static electricity.



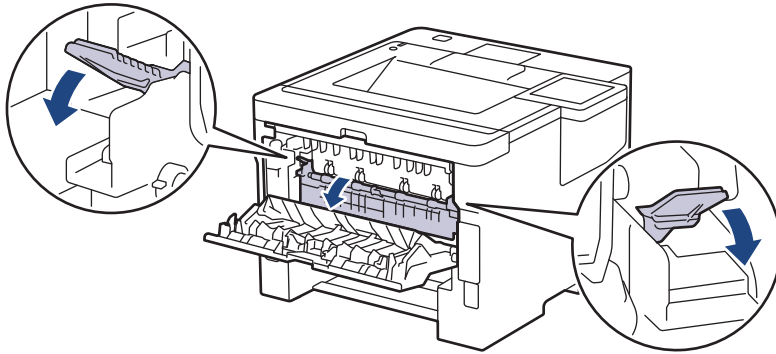


---

6. If paper is not caught inside the 2-sided tray, open the back cover.



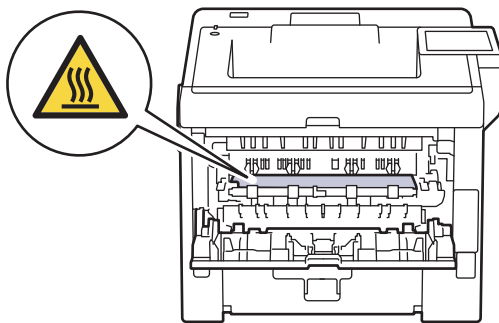
7. Pull the green levers at the left and right sides towards you to release the fuser cover.



## **WARNING**

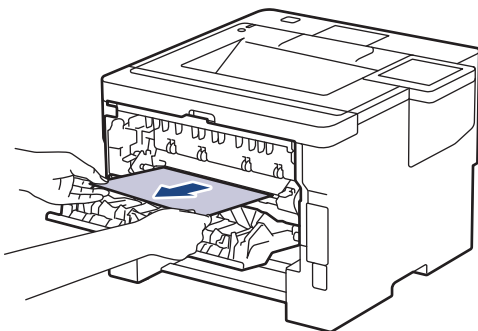
### HOT SURFACE

The machine's internal parts will be extremely hot. Wait for the machine to cool down before touching them.



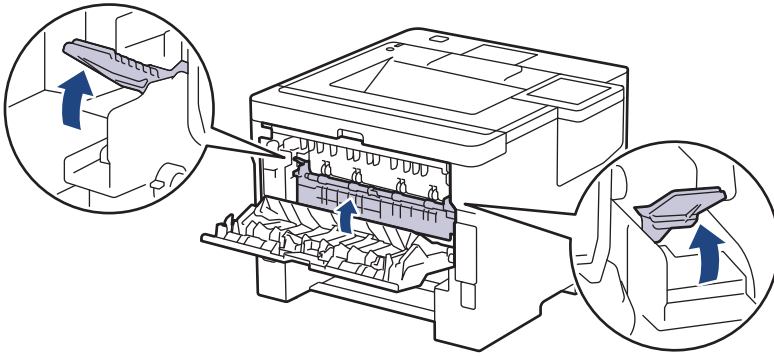
---

8. Use both hands to gently pull the jammed paper out of the back of the machine.



---

9. Close the fuser cover.



10. Close the back cover until it locks in the closed position.

11. Put the 2-sided tray firmly back in the rear of the machine.

12. Put the paper tray firmly back in the front of the machine.



### Related Information

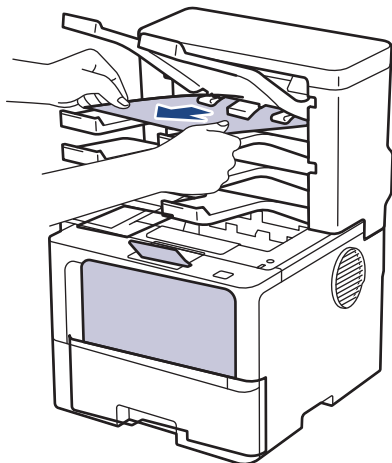
- [Paper Jams](#)

## Paper is Jammed in the Mailbox Unit

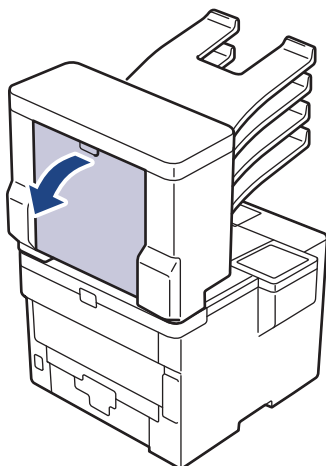
**Related Models:** HL-L6410DN/HL-L6415DW

If the machine's control panel or the Status Monitor indicates that there is a jam in the Mailbox unit, follow these steps:

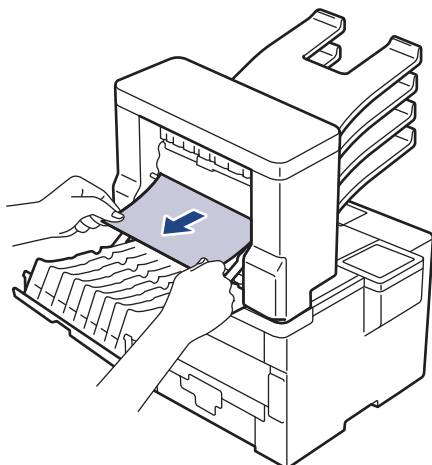
1. Slowly remove the jammed paper out of the Mailbox bin indicated on the LCD.



2. If the error continues, open the Mailbox's back cover.



3. Slowly remove the jammed paper out of the Mailbox unit.



4. Close the Mailbox's back cover until it locks in the closed position.






## Related Information

- [Paper Jams](#)
-

## Printing Problems

If, after reading the information in this table, you still need help, see the latest troubleshooting tips at [support.brother.com/faqs](http://support.brother.com/faqs).

Difficulties	Suggestions
No printout	<p>Check the machine is not in Power Off mode.</p> <p>If the machine is in Power Off mode, press , and then send the print data again.</p> <p>Check that the correct printer driver has been installed and selected.</p> <p>Check to see if the Status Monitor or the machine's control panel displays an error.</p> <p>Check that the machine is online:</p> <ul style="list-style-type: none"> <li>Windows 11           <p>Click  &gt; <b>All apps &gt; Windows Tools &gt; Control Panel</b>. In the <b>Hardware and Sound</b> group, click <b>View devices and printers</b>. Right-click your model's icon, and click <b>See what's printing</b>. If printer driver options appear, select your printer driver. Click <b>Printer</b> in the menu bar and make sure <b>Use Printer Offline</b> is not selected.</p> </li> <li>Windows 10, Windows Server 2016, Windows Server 2019, and Windows Server 2022           <p>Click  &gt; <b>Windows System &gt; Control Panel</b>. In the <b>Hardware and Sound (Hardware)</b> group, click <b>View devices and printers</b>. Right-click your model's name. Click <b>See what's printing</b>. If printer driver options appear, select your printer driver. Click <b>Printer</b> in the menu bar and make sure that <b>Use Printer Offline</b> is not selected.</p> </li> <li>Windows Server 2012 R2           <p>Click <b>Control Panel</b> on the <b>Start</b> screen. In the <b>Hardware</b> group, click <b>View devices and printers</b>. Right-click your model's name. Click <b>See what's printing</b>. If printer driver options appear, select your printer driver. Click <b>Printer</b> in the menu bar and make sure <b>Use Printer Offline</b> is not selected.</p> </li> <li>Windows Server 2012           <p>Move your mouse to the lower right corner of your desktop. When the menu bar appears, click <b>Settings &gt; Control Panel &gt; Hardware &gt; View devices and printers</b>. Right-click your model's name. Click <b>See what's printing</b>. If printer driver options appear, select your printer driver. Click <b>Printer</b> in the menu bar and make sure that <b>Use Printer Offline</b> is not selected.</p> </li> </ul>
The machine is not printing or has stopped printing.	<p>Cancel the print job and clear it from the machine's memory. The printout may be incomplete. Send the print data again.</p> <p>See <i>Related Information:Cancel a Print Job</i>.</p>
The headers or footers appear when the document displays on the screen but they do not show up when it is printed.	<p>There is an unprintable area on the top and bottom of the page. Adjust the top and bottom margins in your document to allow for this.</p>

Difficulties	Suggestions
The machine prints unexpectedly or it prints garbage.	Cancel the print job and clear it from the machine's memory. The printout may be incomplete. Send the print data again. <i>See Related Information:Cancel a Print Job.</i>
	Check the settings in your application to make sure they are set up to work with your machine.
	Confirm that the Brother printer driver is selected in your application's Print window.
The machine prints the first couple of pages correctly, then some pages have missing text.	Check the settings in your application to make sure they are set up to work with your machine.
	Your machine is not receiving all of the data sent from the computer. Make sure you connected the interface cable correctly.
The machine does not print on both sides of the paper even though the printer driver setting is 2-sided and the machine supports automatic 2-sided printing.	(For models without the lever on the 2-sided tray)Check the paper size setting in the printer driver. You must select A4 paper. Supported paper weight is 60 to 105g/m <sup>2</sup> (For models with the lever on the 2-sided tray)Check the paper size setting in the printer driver. You must select A4, Letter, Legal, Folio, Mexico Legal, India Legal paper and A4 Short (270mm Paper). Supported paper weight is 60 to 105g/m <sup>2</sup>
Print speed is too slow.	Reduce the resolution in the printer driver.
	If you have enabled Quiet Mode, disable it in the printer driver or the machine's menu.
	When printing continuously, the printing speed may be automatically reduced to lower the temperature inside the machine.
The machine does not feed paper.	If there is paper in the paper tray, make sure it is straight. If the paper is curled, straighten it. Sometimes it is helpful to remove the paper, turn the stack over and place it back in the paper tray.
	Fan the stack of paper well and place it back to the paper tray.
	Reduce the amount of paper in the paper tray, and then try again.
	(For models with MP Tray) Make sure <b>MP Tray</b> is not selected for <b>Paper Source</b> in the printer driver.
	Clean the paper pick-up rollers.
The machine does not feed paper from the MP tray. (For models with MP Tray)	Fan the paper well and place it back in the MP tray.
	Make sure <b>MP Tray</b> is selected as the <b>Paper Source</b> in the printer driver.
The machine does not feed envelopes.	Load envelopes in the MP tray. Your application must be set to print the envelope size you are using. This is usually done in the Page Setup or Document Setup menu of your application.
Print position is misaligned with the letterhead or preprinted objects.	Adjust the print position using the Print Position setting for each paper tray.



## Related Information

- [Troubleshooting](#)

### Related Topics:



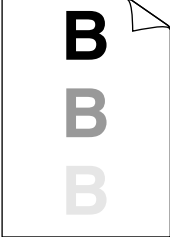

- [Monitor the Status of the Machine from Your Computer \(Windows\)](#)

- 
- Cancel a Print Job
  - Load and Print Using the Paper Tray
  - Clean the Paper Pick-up Rollers
  - Load and Print Using the Multi-purpose Tray (MP Tray)
-


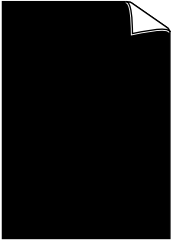



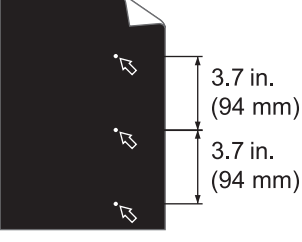
## Improve the Print Quality

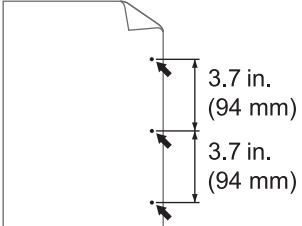
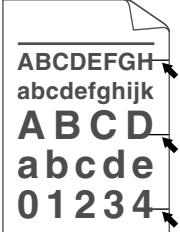
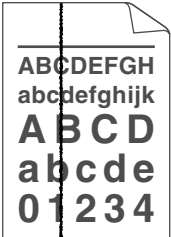

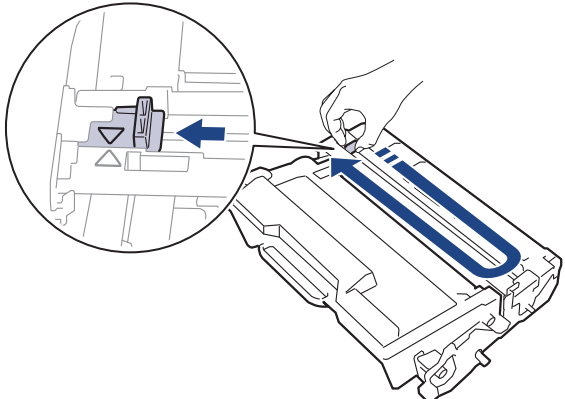
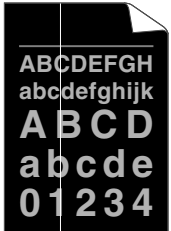
If you have a print quality problem, print a test page first. If the printout looks good, the problem is probably not the machine. Check the interface cable connections and try printing a different document. If the printout or test page printed from the machine has a quality problem, check the examples of poor print quality and follow the recommendations in the table.




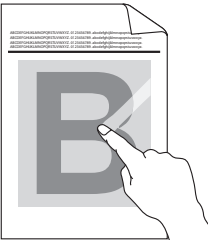

1. To get the best print quality, we suggest using recommended print media. Make sure you use paper that meets our specifications.
2. Check that the toner cartridge and drum unit are installed correctly.


Examples of poor print quality	Recommendation
 <p>ABCDEF GH abcde fghijk A B C D a b c d e 0 1 2 3 4</p> <p>Faint</p>	<ul style="list-style-type: none"> <li>• If the machine indicates Replace Toner status, install a new toner cartridge.</li> <li>• Check the machine's environment. Conditions such as humidity, high temperatures, and so on, may cause this print fault.</li> <li>• If the whole page is too light, Toner Save may be turned on. Turn off Toner Save mode in the machine's menu settings or the printer driver.</li> <li>• Clean the drum unit.</li> <li>• Clean the corona wire on the drum unit.</li> <li>• Replace the toner cartridge with a new toner cartridge.</li> <li>• Replace the drum unit with a new drum unit.</li> </ul>
 <p>ABCDEF GH abcde fghijk A B C D a b c d e 0 1 2 3 4</p> <p>Grey background</p>	<ul style="list-style-type: none"> <li>• Check the machine's environment. Conditions such as high temperatures and high humidity can increase the amount of background shading.</li> <li>• Clean the drum unit.</li> <li>• Replace the toner cartridge with a new toner cartridge.</li> <li>• Replace the drum unit with a new drum unit.</li> </ul>
 <p>B B B</p> <p>Ghosting images</p>	<ul style="list-style-type: none"> <li>• Check the machine's environment. Conditions such as low humidity and low temperatures may cause this print quality problem.</li> <li>• Select the appropriate media type in the printer driver.</li> <li>• Select the appropriate media type in the menu setting.</li> <li>• Clean the drum unit.</li> <li>• Replace the drum unit with a new drum unit.</li> <li>• Replace the toner cartridge with a new toner cartridge.</li> <li>• The fuser unit may be contaminated. Contact Brother customer service.</li> </ul>
 <p>ABCDEF GH abcde fghijk A B C D a b c d e 0 1 2 3 4</p> <p>Toner specks</p>	<ul style="list-style-type: none"> <li>• Make sure the media type setting in the driver matches the type of paper you are using.</li> <li>• Clean the drum unit.</li> <li>• The toner cartridge may be damaged. Replace the toner cartridge with a new toner cartridge.</li> <li>• The drum unit may be damaged. Replace the drum unit with a new drum unit.</li> <li>• The fuser unit may be contaminated. Contact Brother customer service.</li> </ul>



Examples of poor print quality	Recommendation
 <p data-bbox="406 409 545 436">Hollow print</p>	<ul data-bbox="817 168 1474 414" style="list-style-type: none"> <li>• Select <b>Thick Paper</b> mode in the printer driver or use thinner paper than you are currently using.</li> <li>• Select the appropriate media type in the menu setting.</li> <li>• Check the machine's environment. Conditions such as high humidity can cause hollow print.</li> <li>• The drum unit may be damaged. Replace the drum unit with a new drum unit.</li> </ul>
 <p data-bbox="427 694 525 721">All black</p>	<ul data-bbox="817 452 1474 564" style="list-style-type: none"> <li>• Clean the corona wire inside the drum unit.</li> <li>• The drum unit may be damaged. Replace the drum unit with a new drum unit.</li> </ul>
 <p data-bbox="319 978 633 1005">White lines across the page</p>	<ul data-bbox="817 736 1474 1023" style="list-style-type: none"> <li>• Select the appropriate media type in the printer driver.</li> <li>• Select the appropriate media type in the menu setting.</li> <li>• The problem may disappear by itself. Print multiple blank pages to clear this problem, especially if the machine has not been used for a long time.</li> <li>• Clean the drum unit.</li> <li>• The drum unit may be damaged. Replace the drum unit with a new drum unit.</li> </ul>
 <p data-bbox="349 1283 600 1310">Lines across the page</p>	<ul data-bbox="817 1041 1474 1153" style="list-style-type: none"> <li>• Clean the drum unit.</li> <li>• The drum unit may be damaged. Replace the drum unit with a new drum unit.</li> </ul>
 <p data-bbox="220 1565 730 1592">White lines, bands or ribbing across the page</p>	<ul data-bbox="817 1326 1474 1527" style="list-style-type: none"> <li>• Check the machine's environment. Conditions such as high humidity and high temperatures may cause this print quality problem.</li> <li>• Clean the drum unit.</li> <li>• If the problem is not solved after printing a few pages, replace the drum unit with a new drum unit.</li> </ul>
 <p data-bbox="197 1852 754 1904">White Spots on black text and graphics at 94 mm intervals</p>	<ul data-bbox="817 1610 1474 1814" style="list-style-type: none"> <li>• If the problem is not solved after printing a few pages, the drum unit may have foreign material, such as glue from a label, stuck on the drum. Clean the drum unit. <i>See Related Information: Clean the Drum Unit.</i></li> <li>• The drum unit may be damaged. Replace the drum unit with a new drum unit.</li> </ul>

Examples of poor print quality	Recommendation
 <p>3.7 in. (94 mm)</p> <p>3.7 in. (94 mm)</p> <p>Black spots at 94 mm intervals</p>	
 <p>Black toner marks across the page</p>	<ul style="list-style-type: none"> <li>• If you use label sheets for laser printers, the glue from the sheets may sometimes stick to the drum surface. Clean the drum unit. <i>See Related Information: Clean the Drum Unit.</i></li> <li>• If you used paper that has clips or staples, the drum unit may be damaged.</li> <li>• If the unpacked drum unit is in direct sunlight (or room light for long periods of time), the unit may be damaged.</li> <li>• Clean the drum unit.</li> <li>• The toner cartridge may be damaged. Replace the toner cartridge with a new toner cartridge.</li> <li>• The drum unit may be damaged. Replace the drum unit with a new drum unit.</li> </ul>
 <p>Black lines down the page Printed pages have toner stains down the page</p>	<ul style="list-style-type: none"> <li>• Clean the corona wire inside the drum unit by sliding the green tab.</li> </ul> <p> Make sure the green tab of the corona wire is in the Home position (1).</p>  <ul style="list-style-type: none"> <li>• The toner cartridge may be damaged. Replace the toner cartridge with a new toner cartridge.</li> <li>• The drum unit may be damaged. Replace the drum unit with a new drum unit.</li> <li>• The fuser unit may be contaminated. Contact Brother customer service.</li> </ul>
 <p>White lines down the page</p>	<ul style="list-style-type: none"> <li>• Make sure foreign material such as a torn piece of paper, sticky notes or dust is not inside the machine and around the toner cartridge and drum unit.</li> <li>• The toner cartridge may be damaged. Replace the toner cartridge with a new toner cartridge.</li> <li>• The drum unit may be damaged. Replace the drum unit with a new drum unit.</li> </ul>

Examples of poor print quality	Recommendation
 <p data-bbox="395 398 560 427">Image skewed</p>	<ul data-bbox="817 168 1474 577" style="list-style-type: none"> <li>• Make sure the paper or other print media is loaded correctly in the paper tray and the guides are not too tight or too loose against the paper stack.</li> <li>• Set the paper guides correctly.</li> <li>• The paper tray may be too full.</li> <li>• Check the paper type and quality.</li> <li>• Check for loose objects such as torn paper inside the machine.</li> <li>• If the problem only occurs during automatic 2-sided printing, check for torn paper in the 2-sided tray. Verify the 2-sided tray is inserted completely and the back cover is closed completely.</li> </ul>
 <p data-bbox="352 837 603 866">Curled or wavy image</p>	<ul data-bbox="817 593 1474 949" style="list-style-type: none"> <li>• Check the paper type and quality. High temperatures and high humidity will cause paper to curl.</li> <li>• If you do not use the machine often, the paper may have been in the paper tray too long. Turn over the stack of paper in the paper tray. Also, fan the paper stack, and then rotate the paper 180° in the paper tray.</li> <li>• Open the back cover (face up output tray) to let the printed paper exit onto the face up output tray.</li> <li>• Choose <b>Reduce Paper Curl</b> mode in the printer driver when you do not use our recommended print media.</li> </ul>
 <p data-bbox="363 1205 592 1234">Wrinkles or creases</p>	<ul data-bbox="817 969 1442 1111" style="list-style-type: none"> <li>• Make sure paper is loaded correctly.</li> <li>• Check the paper type and quality.</li> <li>• Turn over the stack of paper in the tray or rotate the paper 180° in the input tray.</li> </ul>
 <p data-bbox="416 1487 536 1516">Poor fixing</p>	<ul data-bbox="817 1249 1458 1509" style="list-style-type: none"> <li>• Make sure the media type setting in the printer driver matches the type of paper you are using.</li> <li>• Select <b>Improve Toner Fixing</b> mode in the printer driver.</li> </ul> <p data-bbox="858 1391 1458 1509">If this selection does not provide enough improvement, change the printer driver setting in <b>Media Type</b> to a thick setting. If you are printing an envelope, select <b>Env. Thick</b> in the media type setting.</p>
 <p data-bbox="376 1877 576 1906">Envelope creases</p>	<ul data-bbox="817 1534 1458 1675" style="list-style-type: none"> <li>• Make sure envelopes are printed with the back cover (face up output tray) opened.</li> <li>• (For models with MP Tray) Make sure envelopes are fed only from the MP tray.</li> </ul>

 **Related Information**

- [Troubleshooting](#)

---

**Related Topics:**

- [Test Print](#)
  - [Replace the Toner Cartridge](#)
  - [Reduce Toner Consumption](#)
  - [Replace the Drum Unit](#)
  - [Clean the Drum Unit](#)
-

## Network Problems

- [Error Messages](#)
- [Use the Network Connection Repair Tool \(Windows\)](#)
- [Check Your Machine's Network Settings](#)
- [If You Are Having Difficulty with Your Machine's Network](#)

## Error Messages

The most common error messages are shown in the table.

>> [HL-L5210DN/HL-L5210DW/HL-L6210DW](#)

>> [HL-L6410DN/HL-L6415DW](#)

### HL-L5210DN/HL-L5210DW/HL-L6210DW

Error Messages	Cause	Action
Maximum limit of connected devices has been reached. Press OK Key	Four mobile devices are already connected to the Wi-Fi Direct network when the Brother machine is the Group Owner.	After the current connection between your Brother machine and another mobile device has shut down, try to configure the Wi-Fi Direct settings again. You can confirm the connection status by printing the Network Configuration Report.
Authentication Error, contact your administrator.	Your authentication setting for the Store Print Log to Network feature is not correct.	<ul style="list-style-type: none"> <li>• Make sure the <b>Username</b> and <b>Password</b> in <b>Authentication Setting</b> are correct. If the username is part of a domain, enter the username in one of the following styles: user@domain or domain\user.</li> <li>• Make sure the SNTP time server settings are configured correctly so the time matches the time used for authentication by Kerberos or NTLMv2.</li> </ul>
Connection Error	Other devices are trying to connect to the Wi-Fi Direct network at the same time.	Make sure there are no other devices trying to connect to the Wi-Fi Direct network, and then try to configure the Wi-Fi Direct settings again.
Connection Fail	The Brother machine and your mobile device cannot communicate during the Wi-Fi Direct network configuration.	<ul style="list-style-type: none"> <li>• Move the mobile device closer to your Brother machine.</li> <li>• Move your Brother machine and the mobile device to an obstruction-free area.</li> <li>• If you are using the PIN Method of WPS, make sure you have entered the correct PIN.</li> </ul>
File Access Error, contact your administrator.	The Brother machine cannot access the destination folder for the Store Print Log to Network feature.	<ul style="list-style-type: none"> <li>• Make sure the destination folder name is correct.</li> <li>• Make sure the destination folder is write-enabled.</li> <li>• Make sure the print log file is not locked. If it is, contact your network administrator.</li> </ul>
Log Access Error	In Web Based Management, you have selected the <b>Cancel Print</b> option in the <b>Error Detection Setting of Store Print Log to Network</b> .	Wait for about 60 seconds until this message disappears from the LCD.
No Device	When configuring the Wi-Fi Direct network, the Brother machine cannot find your mobile device.	<ul style="list-style-type: none"> <li>• Make sure your machine and mobile device are in the Wi-Fi Direct mode.</li> <li>• Move the mobile device closer to your Brother machine.</li> <li>• Move your Brother machine and the mobile device to an obstruction-free area.</li> <li>• If you are manually configuring the Wi-Fi Direct network, make sure you have entered the correct password.</li> <li>• If your mobile device has a configuration page for obtaining an IP address, make sure your mobile device's IP address has been configured via DHCP.</li> </ul>
Server Timeout, contact your administrator.	The Brother machine cannot connect to the server for the Store Print Log to Network feature.	<ul style="list-style-type: none"> <li>• Make sure your server address is correct.</li> <li>• Make sure your server is connected to the network.</li> <li>• Make sure the machine is connected to the network.</li> </ul>

Error Messages	Cause	Action
Server Timeout, contact your administrator.	The Brother machine cannot connect to the LDAP server.	<ul style="list-style-type: none"> <li>• Make sure your server address is correct.</li> <li>• Make sure your server is connected to the network.</li> <li>• Make sure the machine is connected to the network.</li> </ul>
	The Brother machine cannot connect to the Active Directory server.	<ul style="list-style-type: none"> <li>• Make sure your server address is correct.</li> <li>• Make sure your server is connected to the network.</li> <li>• Make sure the machine is connected to the network.</li> </ul>
Wrong Date & Time, contact your administrator.	The Brother machine does not obtain the time from the SNTP time server.	Make sure the settings to access the SNTP time server are configured correctly in Web Based Management.

## HL-L6410DN/HL-L6415DW

Error Messages	Cause	Action
The maximum number of devices are already connected using Wi-Fi Direct. Press [OK].	Four mobile devices are already connected to the Wi-Fi Direct network when the Brother machine is the Group Owner.	After the current connection between your Brother machine and another mobile device has shut down, try to configure the Wi-Fi Direct settings again. You can confirm the connection status by printing the Network Configuration Report. <i>See Related Information: Print the Network Configuration Report.</i>
Authentication error, contact your administrator.	Your authentication setting for the Store Print Log to Network feature is not correct.	<ul style="list-style-type: none"> <li>• Make sure the <b>Username</b> and <b>Password</b> in <b>Authentication Setting</b> are correct. If the username is part of a domain, enter the username in one of the following styles: user@domain or domain\user.</li> <li>• Make sure the SNTP time server settings are configured correctly so the time matches the time used for authentication by Kerberos or NTLMv2.</li> </ul>
Check User ID and Password.	The Kerberos Authentication error.	Make sure you have entered a correct user name and a password for the Kerberos server. For more information on the Kerberos server settings, contact your network administrator.
	The DNS server configuration is not correct.	Contact your network administrator for the information on the DNS server settings.
	The Brother machine cannot connect to the Kerberos server.	Contact your network administrator for the information on the Kerberos server settings.
Connection Error	Other devices are trying to connect to the Wi-Fi Direct network at the same time.	Make sure there are no other devices trying to connect to the Wi-Fi Direct network, and then try to configure the Wi-Fi Direct settings again.
Connection Failed	The Brother machine and your mobile device cannot communicate during the Wi-Fi Direct network configuration.	<ul style="list-style-type: none"> <li>• Move the mobile device closer to your Brother machine.</li> <li>• Move your Brother machine and the mobile device to an obstruction-free area.</li> </ul>
File access error, contact your administrator.	The Brother machine cannot access the destination folder for the Store Print Log to Network feature.	<ul style="list-style-type: none"> <li>• Make sure the destination folder name is correct.</li> <li>• Make sure the destination folder is write-enabled.</li> <li>• Make sure the print log file is not locked. If it is, contact your network administrator.</li> </ul>
Log Access Error	In Web Based Management, you have selected the <b>Cancel Print</b> option in the <b>Error Detection Setting of Store Print Log to Network</b> .	Wait for about 60 seconds until this message disappears from the LCD.
No Device	When configuring the Wi-Fi Direct network, the Brother	<ul style="list-style-type: none"> <li>• Make sure your machine and mobile device are in the Wi-Fi Direct mode.</li> </ul>

Error Messages	Cause	Action
	machine cannot find your mobile device.	<ul style="list-style-type: none"> <li>• Move the mobile device closer to your Brother machine.</li> <li>• Move your Brother machine and the mobile device to an obstruction-free area.</li> <li>• If you are manually configuring the Wi-Fi Direct network, make sure you have entered the correct password.</li> <li>• If your mobile device has a configuration page for obtaining an IP address, make sure your mobile device's IP address has been configured via DHCP.</li> </ul>
Server timeout, contact your administrator.	The Brother machine cannot connect to the server for the Store Print Log to Network feature.	<ul style="list-style-type: none"> <li>• Make sure your server address is correct.</li> <li>• Make sure your server is connected to the network.</li> <li>• Make sure the machine is connected to the network.</li> </ul>
Server Timeout	The Brother machine cannot connect to the LDAP server.	<ul style="list-style-type: none"> <li>• Make sure your server address is correct.</li> <li>• Make sure your server is connected to the network.</li> <li>• Make sure the machine is connected to the network.</li> </ul>
	The Brother machine cannot connect to the Active Directory server.	<ul style="list-style-type: none"> <li>• Make sure your server address is correct.</li> <li>• Make sure your server is connected to the network.</li> <li>• Make sure the machine is connected to the network.</li> </ul>
Wrong Date & Time, contact your administrator.	The Brother machine does not obtain the time from the SNTP time server.	Make sure the settings to access the SNTP time server are configured correctly in Web Based Management.
Internal Error	The Brother machine's LDAP protocol is disabled.	Confirm your authentication method, and then enable the necessary protocol setting in Web Based Management.
	The Brother machine's CIFS protocol is disabled.	



## Related Information

- [Network Problems](#)

### Related Topics:


- [Print the Network Configuration Report](#)



## Use the Network Connection Repair Tool (Windows)

Use the Network Connection Repair Tool to fix the Brother machine's network settings. It will assign the correct IP address and Subnet Mask.

Make sure your machine is turned on and is connected to the same network as your computer.

1. Launch  (**Brother Utilities**), and then click the drop-down list and select your model name (if not already selected).
2. Click **Tools** in the left navigation bar, and then click **Network Connection Repair Tool**.
3. Follow the on-screen instructions.
4. Check the diagnosis by printing the Network Configuration Report or the Printer Settings page.



The Network Connection Repair Tool will start automatically if you select the **Enable Connection Repair Tool** option in the Status Monitor. Right-click the Status Monitor screen, and then click **Other Settings > Enable Connection Repair Tool**. This is not recommended when your network administrator has set the IP address to Static, since it will automatically change the IP address.

If the correct IP address and the Subnet Mask are still not assigned even after using the Network Connection Repair Tool, ask your network administrator for this information.



### Related Information

- [Network Problems](#)

#### Related Topics:

- [Print the Network Configuration Report](#)
- [My Machine Cannot Print over the Network](#)
- [I Want to Check that My Network Devices are Working Correctly](#)

## Check Your Machine's Network Settings

- [Print the Network Configuration Report](#)

## If You Are Having Difficulty with Your Machine's Network

If you think there is a problem with your machine's network environment, check the following topics. You can correct most problems yourself.

If you need additional help, visit [support.brother.com](http://support.brother.com) and click the **FAQs & Troubleshooting** page.

- [I Cannot Complete the Wireless Network Setup Configuration](#)
- [My Machine Cannot Print over the Network](#)
- [I Want to Check that My Network Devices are Working Correctly](#)

## I Cannot Complete the Wireless Network Setup Configuration

**Related Models:** HL-L5210DW/HL-L6210DW/HL-L6410DN/HL-L6415DW

### NOTE

(HL-L6410DN)

The wireless network connection can be used only when the optional Wireless Module is installed.

Turn your wireless router off and back on. Then, try to configure the wireless settings again. If you are unable to resolve the problem, follow the instructions below:

Investigate the problem using the WLAN Report.

Cause	Action	Interface
Your security settings (SSID/ Network Key) are not correct.	<p>Confirm the security settings using <b>Wireless Setup Helper</b> (Windows). For more information and to download the utility, go to your model's <b>Downloads</b> page at <a href="http://support.brother.com">support.brother.com</a>.</p> <p>Select and confirm that you are using the correct security settings.</p> <ul style="list-style-type: none"> <li>- See the instructions supplied with your wireless LAN access point/router for information on how to find the security settings.</li> <li>- The manufacturer's name or model number of the wireless LAN access point/router may be used as the default security settings.</li> <li>- Consult with the access point/router manufacturer, your Internet provider, or network administrator.</li> </ul>	Wireless
Your Brother machine's MAC address is not allowed.	<p>Confirm that the Brother machine's MAC Address is allowed in the filter.</p> <p>You can find the MAC Address on your Brother machine's control panel.</p>	Wireless
Your wireless LAN access point/router is in Stealth mode (not broadcasting the SSID).	<ul style="list-style-type: none"> <li>• Enter the correct SSID or Network Key manually.</li> <li>• Check the SSID or the Network Key in the instructions supplied with your wireless LAN access point/router and reconfigure the wireless network setup.</li> </ul>	Wireless
Your machine is trying to connect to a 5 GHz Wi-Fi network. The current channel set on your wireless LAN access point/router is not supported. (Countries supports 5 GHz Wi-Fi only)	<p>Change the channel on your wireless LAN access point/router to a channel supported by your machine.</p> <ol style="list-style-type: none"> <li>1. Confirm the channels supported by your machine. Go to <a href="http://support.brother.com/g/d/a5m6/">support.brother.com/g/d/a5m6/</a>, select your model, and then click <b>Download</b> for more information.</li> <li>2. Check your wireless LAN access point/router's channel setting. Make sure it is set to one of the channels supported by your machine, and not set to "Auto" or "Automatic". For more information about changing the channel setting, see the instructions supplied with your wireless LAN access point/router.</li> <li>3. Try to connect your machine to your Wi-Fi network again.</li> </ol>	Wireless
Your security settings (SSID/ password) are not correct.	<p>Confirm the SSID and password.</p> <p>When you are configuring the network manually, the SSID and password are displayed on your Brother machine. If your mobile device supports the manual configuration, the SSID and password will be displayed on your mobile device's screen.</p>	Wi-Fi Direct
You are using Android™ 4.0.	<p>If your mobile device disconnects (approximately six minutes after using Wi-Fi Direct), try the one-push configuration using WPS (recommended) and set the Brother machine as a Group Owner.</p>	Wi-Fi Direct

Cause	Action	Interface
Your Brother machine is placed too far from your mobile device.	Move your Brother machine within about 3.3 feet (1 metre) of the mobile device when you configure the Wi-Fi Direct network settings.	Wi-Fi Direct
There are some obstructions (walls or furniture, for example) between your machine and the mobile device.	Move your Brother machine to an obstruction-free area.	Wi-Fi Direct
There is a wireless computer, Bluetooth®-supported device, microwave oven, or digital cordless phone near the Brother machine or your mobile device.	Move other devices away from the Brother machine or your mobile device.	Wi-Fi Direct
You have checked and tried all of the above, but your Brother machine still cannot complete the Wi-Fi Direct configuration.	<ul style="list-style-type: none"> <li>• Turn your Brother machine off and back on. Then, try to configure the Wi-Fi Direct settings again.</li> <li>• If you are using your Brother machine as a client, confirm how many devices are allowed on the current Wi-Fi Direct network, and then check how many devices are connected.</li> </ul>	Wi-Fi Direct

### For Windows

If your wireless connection has been interrupted, and you have checked and tried all of the above, we recommend using the Network Connection Repair Tool.



### Related Information

- [If You Are Having Difficulty with Your Machine's Network](#)

#### Related Topics:



- [Configure Your Machine for a Wireless Network When the SSID Is Not Broadcast](#)

## My Machine Cannot Print over the Network

### NOTE

(HL-L6410DN)

The wireless network connection can be used only when the optional Wireless Module is installed.

Cause	Action	Interface
Your security software blocks your machine's access to the network.	Some security software might block access without showing a security alert dialog box even after successful installation. To allow access, see the instructions for your security software or ask the software manufacturer.	Wired/Wireless
Your Brother machine was not assigned an available IP address.	<ul style="list-style-type: none"> <li>Confirm the IP address and the Subnet Mask. Verify that both the IP addresses and Subnet Masks of your computer and the Brother machine are correct and located on the same network. For more information about how to verify the IP address and the Subnet Mask, ask your network administrator.</li> <li>Windows Confirm the IP address and the Subnet Mask using the Network Connection Repair Tool.</li> </ul>	Wired/Wireless
A failed print job is still in your computer's print queue.	<ul style="list-style-type: none"> <li>If a failed print job is still in your computer's print queue, delete it.</li> <li>Otherwise, double-click the printer icon in the following folder and cancel all documents:                             <ul style="list-style-type: none"> <li>Windows 11 Click  &gt; <b>All apps &gt; Windows Tools &gt; Control Panel</b>. In the <b>Hardware and Sound</b> group, click <b>View devices and printers</b>.</li> <li>Windows 10, Windows Server 2016, Windows Server 2019, and Windows Server 2022 Click  &gt; <b>Windows System &gt; Control Panel</b>. In the <b>Hardware and Sound (Hardware)</b> group, click <b>View devices and printers</b>.</li> <li>Windows Server 2012 R2 Click <b>Control Panel</b> on the <b>Start</b> screen. In the <b>Hardware</b> group, click <b>View devices and printers</b>.</li> <li>Windows Server 2012 Move your mouse to the lower right corner of your desktop. When the menu bar appears, click <b>Settings &gt; Control Panel</b>. In the <b>Hardware</b> group, click <b>View devices and printers &gt; Printers</b>.</li> <li>Mac Click <b>System Preferences &gt; Printers &amp; Scanners</b>.</li> </ul> </li> </ul>	Wired/Wireless
Your machine is not connected to the wireless network.	Print the WLAN Report to check the error code on the printed report. See <i>Related Information: Print the WLAN Report</i> .	Wireless

If you have checked and tried all of the above, but your machine still cannot print, uninstall the driver (Windows) and reinstall it.



---

## Related Information

---

- [If You Are Having Difficulty with Your Machine's Network](#)

### **Related Topics:**

- [Print the WLAN Report](#)
  - [Wireless LAN Report Error Codes](#)
  - [Use the Network Connection Repair Tool \(Windows\)](#)
  - [I Want to Check that My Network Devices are Working Correctly](#)
-

## I Want to Check that My Network Devices are Working Correctly

### NOTE

(HL-L6410DN)

The wireless network connection can be used only when the optional Wireless Module is installed.

Check	Action	Interface
Check that your Brother machine, access point/router, or network hub is turned on.	<p><b>Check the following:</b></p> <ul style="list-style-type: none"> <li>The power cord is connected correctly and the Brother machine is turned on.</li> <li>The access point/router or hub is turned on and its link LED is blinking.</li> <li>All protective packaging has been removed from the machine.</li> <li>The toner cartridge and drum unit assembly is installed correctly.</li> <li>The machine's cover is fully closed.</li> <li>Paper is loaded correctly in the paper tray.</li> <li>(For wired networks) A network cable is securely connected to the Brother machine and to the router or hub.</li> </ul>	Wired/Wireless
Check the <b>Link Status</b> on the Network Configuration Report or the Printer Settings page.	Print the Network Configuration Report and check that <b>Ethernet Link Status</b> or <b>Wireless Link Status</b> is <b>Link OK</b> .	Wired/Wireless
Check that you can "ping" the Brother machine from your computer.	<p>Ping the Brother machine from your computer using the IP address or the node name in the Windows command prompt or Mac Terminal application:</p> <p>ping &lt;ipaddress&gt; or &lt;nodename&gt;.</p> <ul style="list-style-type: none"> <li>Successful: Your Brother machine is working correctly and connected to the same network as your computer.</li> <li>Unsuccessful: Your Brother machine is not connected to the same network as your computer.</li> </ul> <p>Windows: Ask your administrator about the IP address and the subnet mask, and then use the Network Connection Repair Tool.</p> <p>Mac: Confirm that the IP address and the Subnet Mask are set correctly.</p>	Wired/Wireless
Check that your Brother machine is connected to the wireless network.	<p>Print the WLAN Report to check the error code on the printed report.</p> <p>See <i>Related Information: Print the WLAN Report</i>.</p>	Wireless

If you have checked and tried all of the above but you are still having problems, see the instructions supplied with your wireless access point/router to find the SSID (Network Name) and the Network Key (Password) information and set them correctly.



### Related Information

- [If You Are Having Difficulty with Your Machine's Network](#)

#### Related Topics:

- [Print the Network Configuration Report](#)
- [Print the WLAN Report](#)
- [Wireless LAN Report Error Codes](#)



- 
- Use the Network Connection Repair Tool (Windows)
  - My Machine Cannot Print over the Network
-

## AirPrint Problems

### NOTE

For certain models, the wireless network connection can be used only when the optional Wireless Module is installed.

Difficulty	Suggestions
My machine is not displayed in the printer list.	Make sure your machine is turned on.
	Make sure your machine and your mobile device or Mac are connected to the same network.
	Move the mobile device closer to the wireless access point/router, or to your machine.
I cannot print.	Make sure your machine is turned on.
	Make sure your machine and your mobile device or Mac are connected to the same network.
I am trying to print a multiple-page document from an iOS device, but ONLY the first page is printing.	Make sure you are running the latest OS version.







### Related Information

- [Troubleshooting](#)

#### Related Topics:

- [AirPrint Overview](#)

## Other Problems

Difficulties	Suggestions
<p>The machine will not turn on.</p>	<p>Adverse conditions on the power connection (such as lightning or a power surge) may have triggered the machine's internal safety mechanisms. Unplug the power cord. Wait for ten minutes, then plug in the power cord and press  to turn the machine on.</p> <p>If the problem is not solved and you are using a power breaker, disconnect it to make sure it is not the problem. Plug the machine's power cord directly into a different known working wall electrical socket. If there is still no power, try a different power cable.</p>
<p>The machine cannot print EPS data that includes binary with the BR-Script3 printer driver.</p>	<p><b>(Windows)</b></p> <p>To print EPS data, do the following:</p> <ol style="list-style-type: none"> <li>Windows 11: <ul style="list-style-type: none"> <li>Click  &gt; <b>All apps &gt; Windows Tools &gt; Control Panel</b>. In the <b>Hardware and Sound</b> group, click <b>View devices and printers</b>.</li> <li>For Windows 10, Windows Server 2016, Windows Server 2019, and Windows Server 2022: <ul style="list-style-type: none"> <li>Click  &gt; <b>Windows System &gt; Control Panel</b>. In the <b>Hardware and Sound (Hardware)</b> group, click <b>View devices and printers</b>.</li> <li>For Windows Server 2012: <ul style="list-style-type: none"> <li>Move your mouse to the lower right corner of your desktop. When the menu bar appears, click <b>Settings &gt; Control Panel</b>. In the <b>Hardware</b> group, click <b>View devices and printers</b>.</li> <li>For Windows Server 2012 R2: <ul style="list-style-type: none"> <li>Click <b>Control Panel</b> on the <b>Start</b> screen. In the <b>Hardware</b> group, click <b>View devices and printers</b>.</li> </ul> </li> </ul> </li> </ul> </li> <li>Right-click your model's icon with <b>BR-Script3</b> in the name, select <b>Printer properties</b>. <ul style="list-style-type: none"> <li> If your model with <b>BR-Script3</b> in the name does not appear, right-click your model's icon, select <b>Printer properties</b>, and then select your model with <b>BR-Script3</b> in the name.</li> </ul> </li> </ul></li></ol> <ol style="list-style-type: none"> <li>From the <b>Device Settings</b> tab, choose TBCP (Tagged Binary Communication Protocol) in <b>Output Protocol</b>.</li> </ol>
<p>The Brother software cannot be installed.</p>	<p><b>(Windows)</b></p> <p>If the Security Software warning appears on the computer screen during the installation, change the Security Software settings to permit the Brother product setup program or other program to run.</p> <p><b>(Mac)</b></p> <p>If you are using a firewall function of anti-spyware or antivirus security software, temporarily disable it and then install the Brother software.</p>



## Related Information

- [Troubleshooting](#)
-

## Check the Machine Information

Follow these instructions to check your machine's serial number and firmware version.

>> [HL-L5210DN/HL-L5210DW/HL-L6210DW](#)

>> [HL-L6410DN/HL-L6415DW](#)


### HL-L5210DN/HL-L5210DW/HL-L6210DW

1. Press ▲ or ▼ to select the [Machine Info.] option, and then press **OK**.
2. Press ▲ or ▼ to select one of the following options:

Option	Description
Serial No.	Check your machine's serial number.
Firmware	Check your machine's firmware version.
Page Count	Check the total number of pages the machine has printed.
Parts Life	Check the supplies' life that remains available.

3. Press **OK**.

### HL-L6410DN/HL-L6415DW

1. Press  [Settings] > [All Settings] > [Machine Information].
2. Press one of the following options:

Option	Description
Serial No.	Check your machine's serial number.
Firmware Version	Check your machine's firmware version.
Firmware Update	Update your machine to the latest firmware.
Firmware Auto Check	View firmware information on the Home screen.
Page Counter	Check the total number of pages the machine has printed.
Parts Life	Check the percentage of the supplies' life that remains available.

3. Press .

### Related Information

- [Troubleshooting](#)

## Reset Functions

- [Machine Reset](#)
- [Network Reset](#)
- [Factory Reset](#)

## Machine Reset

Use the Machine Reset function to reset the machine's settings to the factory settings.

The network settings and the security settings will not be reset by the Machine Reset function.


>> [HL-L5210DN/HL-L5210DW/HL-L6210DW](#)

>> [HL-L6410DN/HL-L6415DW](#)

### HL-L5210DN/HL-L5210DW/HL-L6210DW

1. Press ▲ or ▼ to select the following:
  - a. Select [Initial Setup]. Press **OK**.
  - b. Select [Reset]. Press **OK**.
  - c. Select [Machine Reset]. Press **OK**.
2. Press ▲ to select [Reset].
3. Press ▲ to restart the machine.

### HL-L6410DN/HL-L6415DW

1. Press  [Settings] > [All Settings] > [Initial Setup] > [Reset] > [Machine Reset].
2. Do one of the following:

Option	Description
Press Yes for 2 seconds	Reboot the machine. The machine will begin the reset.
Press No	The machine will exit without rebooting.



If you exit without rebooting, your machine will not reset and your settings will remain unchanged.

### ✓ Related Information

- [Reset Functions](#)

## Network Reset

Use the Network Reset function to restore the machine's network settings, such as password and IP address, back to the factory settings.


Unplug all the interface cables before you perform a Network Reset.

>> HL-L5210DN/HL-L5210DW/HL-L6210DW  
>> HL-L6410DN/HL-L6415DW

### HL-L5210DN/HL-L5210DW/HL-L6210DW

1. Press ▲ or ▼ to select the following:
  - a. Select [Initial Setup]. Press **OK**.
  - b. Select [Reset]. Press **OK**.
  - c. Select [Network Reset]. Press **OK**.
2. Press ▲ to select [Reset].
3. Press ▲ to restart the machine.

### HL-L6410DN/HL-L6415DW

1. Press  [Settings] > [All Settings] > [Initial Setup] > [Network Reset].
2. Do one of the following:

Option	Description
Press <b>Yes</b> for 2 seconds	Reboot the machine. The machine will begin the reset.
Press <b>No</b>	The machine will exit without rebooting.



If you exit without rebooting, your machine will not reset and your settings will remain unchanged.

### ✓ Related Information

- [Reset Functions](#)



## Factory Reset

Use the Factory Reset function to restore all settings back to the factory settings.

Unplug all the interface cables before you perform a Factory Reset.


>> [HL-L5210DN/HL-L5210DW/HL-L6210DW](#)

>> [HL-L6410DN/HL-L6415DW](#)

### HL-L5210DN/HL-L5210DW/HL-L6210DW

1. Press ▲ or ▼ to select the following:
  - a. Select [Initial Setup]. Press **OK**.
  - b. Select [Reset]. Press **OK**.
  - c. Select [Factory Reset]. Press **OK**.
2. Press ▲ to select [Reset].
3. Press ▲ to restart the machine.

### HL-L6410DN/HL-L6415DW

1. Press  [Settings] > [All Settings] > [Initial Setup] > [Factory Reset].
2. Do one of the following:

Option	Description
Press <b>Yes</b> for 2 seconds	Reboot the machine. The machine will begin the reset.
Press <b>No</b>	The machine will exit without rebooting.



If you exit without rebooting, your machine will not reset and your settings will remain unchanged.

### ✓ Related Information

- [Reset Functions](#)

## Routine Maintenance

- [Replace Supplies](#)
- [Clean the Machine](#)
- [Check the Remaining Part Life](#)
- [Pack the Machine and the Toner Cartridge Together](#)
- [Replace Periodic Maintenance Parts](#)

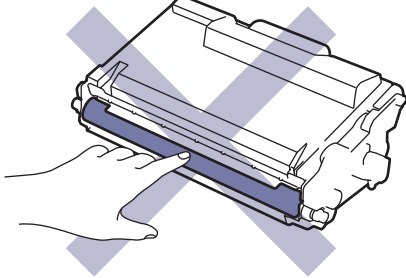
## Replace Supplies

You must replace supplies when the machine indicates that the life of the supply is over.

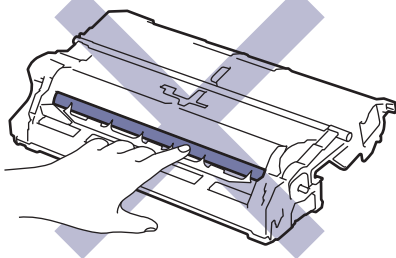
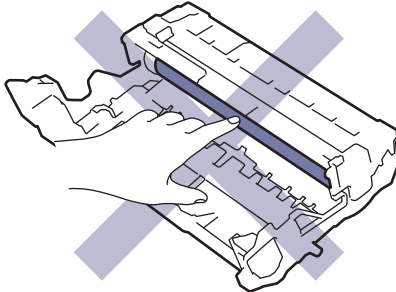
### IMPORTANT

To avoid print quality problems, DO NOT touch the shaded parts shown in the illustrations.

#### Toner Cartridge



#### Drum Unit

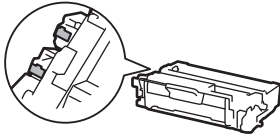


### NOTE

- Availability of toner cartridges differs from one country to another. Visit [support.brother.com](http://support.brother.com) or contact your local Brother office for further details.
- Be sure to seal the used supplies tightly in a bag so that toner powder does not spill out of the cartridge.
- Discard used consumable items according to local regulations, keeping it separate from domestic waste. If you have questions, call your local waste disposal office. Be sure to reseal the consumable items tightly so that the material inside does not spill.
- We recommend placing both the new and the used supplies on a piece of paper to prevent accidentally spilling or scattering the contents.
- Using paper that is not a direct equivalent for a recommended print media may reduce the life of supplies and machine parts.
- The projected life for each of the toner cartridges is based on ISO/IEC 19752. Frequency of replacement will vary depending on the print volume, percentage of coverage, types of media used, and powering on/off the machine.
- Frequency of replacing supplies except toner cartridges will vary depending on the print volume, types of media used, and powering on/off the machine.
- Handle the toner cartridge carefully. If toner scatters on your hands or clothes, immediately wipe or wash it off with cold water.



Both the toner cartridge and the drum unit feature an IC chip. DO NOT touch these surfaces. Touching the IC chips may cause contamination or damage, and may interfere with the machine's ability to detect these components.

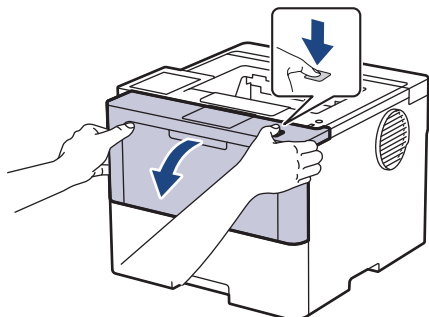


### Related Information

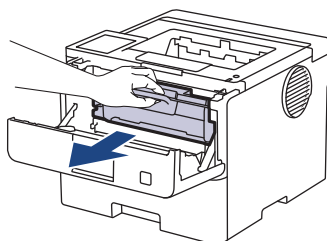
- [Routine Maintenance](#)
  - [Replace the Toner Cartridge](#)
  - [Replace the Drum Unit](#)

## Replace the Toner Cartridge

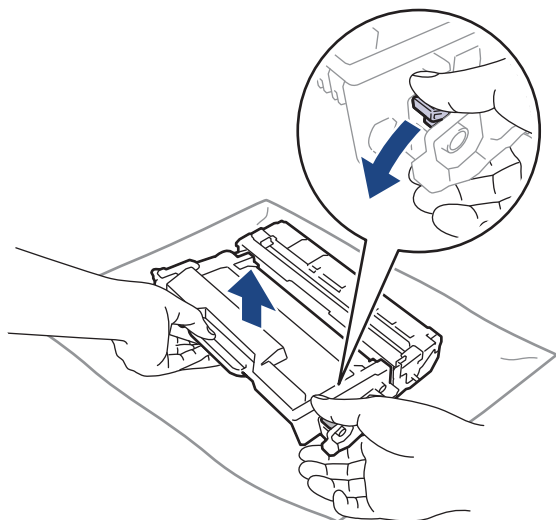
1. Make sure the machine is turned on.
2. Open the front cover.



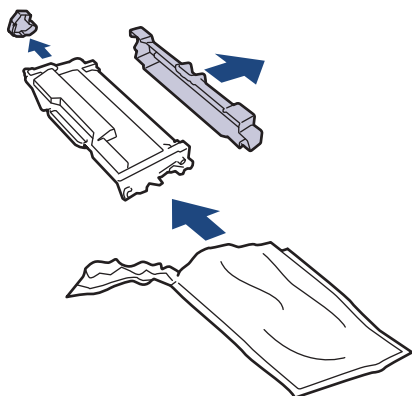
3. Remove the toner cartridge and drum unit assembly from the machine.



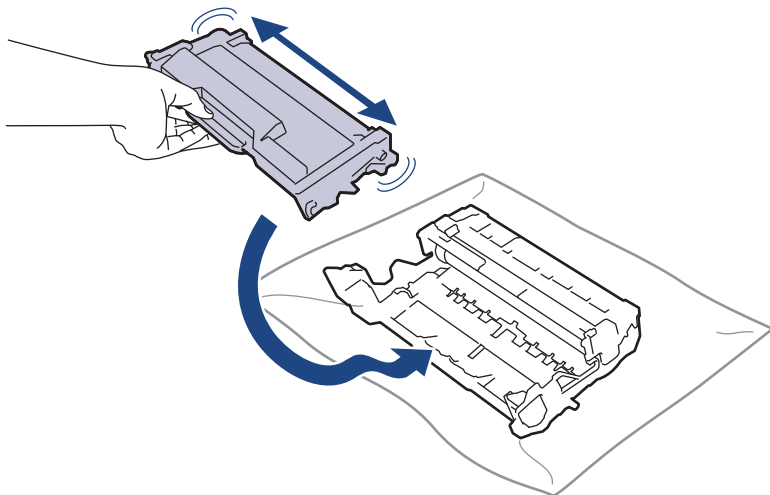
4. Push down the green lock lever and take the toner cartridge out of the drum unit.



5. Unpack the new toner cartridge.
6. Remove the protective cover.



- 
7. Hold the toner cartridge by the handle and shake it from left to right several times, as shown. Then push it firmly into the drum unit until it locks into place.

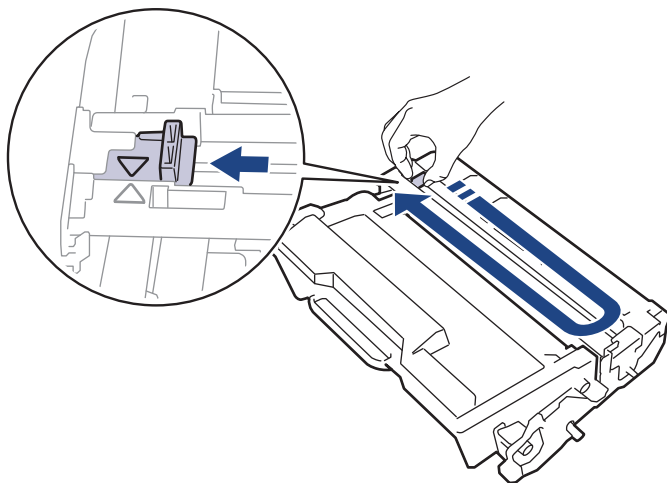


---

Make sure you put the toner cartridge in correctly or it may separate from the drum unit.

---

8. Clean the corona wire inside the drum unit by gently sliding the green tab from left to right and right to left several times.

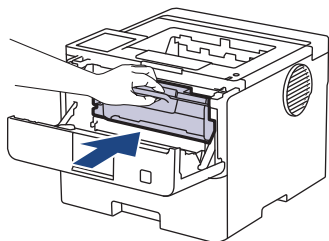


---

Be sure to return the tab to the Home position (▲). The arrow on the tab must be aligned with the arrow on the drum unit. If it is not, printed pages may have a vertical stripe.

---

9. Reinsert the toner cartridge and drum unit assembly back into the machine.



10. Close the front cover of the machine.



- Do not turn off the machine or open the front cover until the machine returns to Ready Mode.
- The toner cartridge that comes with your Brother machine is an Inbox toner cartridge.
- It is a good idea to keep a new toner cartridge ready for use when you see the Toner Low warning.
- DO NOT unpack the new toner cartridge until you are ready to install it.
- If a toner cartridge is left unpacked for a long time, the toner life will be shortened.
- We recommend using genuine Brother supplies to ensure stable print quality and performance. Although not all non-genuine supplies may cause quality issues, it is possible that some may adversely affect print quality or cause machine malfunction. Brother may charge for repairing your machine if it is proven that non-genuine supplies caused the damage, even if the machine is still covered by the warranty.



## Related Information

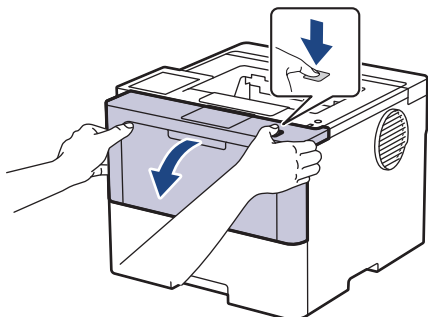
- [Replace Supplies](#)

### Related Topics:

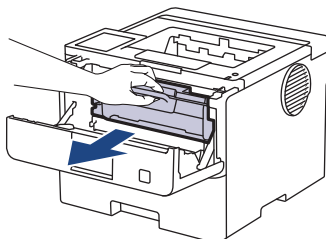
- [Improve the Print Quality](#)
- [Error and Maintenance Messages](#)

## Replace the Drum Unit

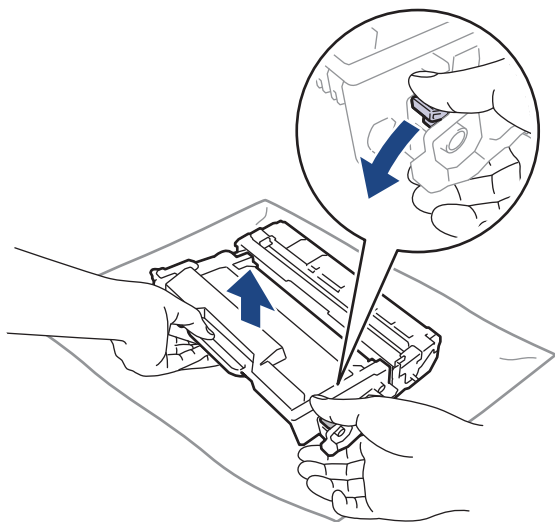
1. Make sure the machine is turned on.
2. Open the front cover.



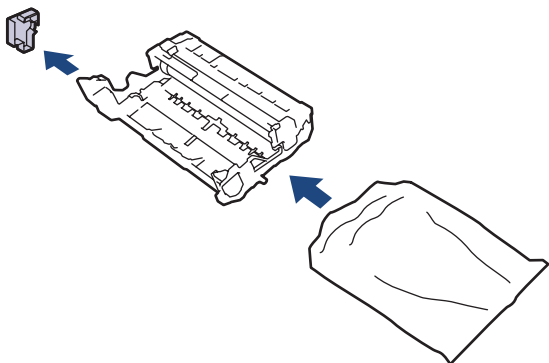
3. Remove the toner cartridge and drum unit assembly from the machine.



4. Push down the green lock lever and take the toner cartridge out of the drum unit.

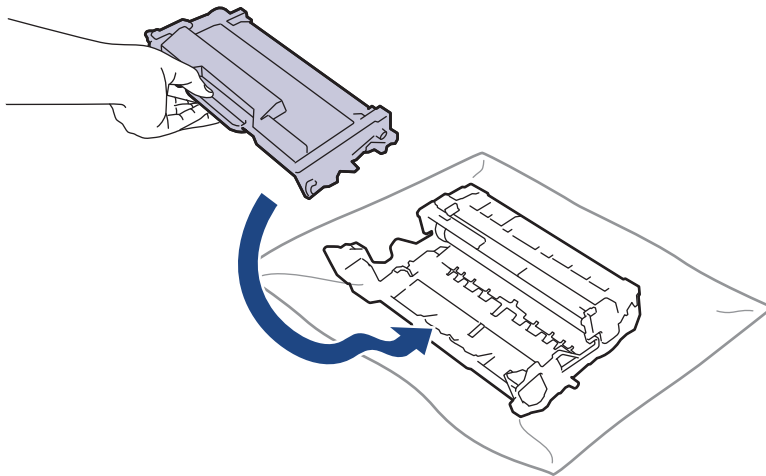


5. Unpack the new drum unit.
6. Remove the protective cover.



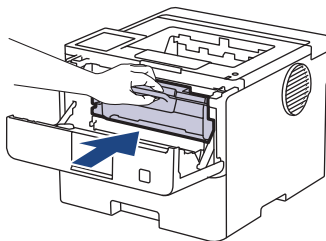


7. Push the toner cartridge firmly into the new drum unit until it locks into place.



Make sure you put the toner cartridge in correctly or it may separate from the drum unit.

8. Reinsert the toner cartridge and drum unit assembly back into the machine.



9. Close the front cover of the machine.

## NOTE

- Drum wear and tear occurs due to use and rotation of the drum and interaction with paper, toner, and other materials in the paper path. In designing this product, Brother decided to use the number of rotations of the drum as a reasonable determinant of the drum life. When a drum reaches the factory-established rotation limit corresponding to the rated page yield, the product's LCD will advise you to replace the drum. The product will continue to function; however, print quality may not be optimal.
- If an unpacked drum unit is placed in direct sunlight (or room light for long periods of time), the unit may be damaged.
- There are many factors that determine the actual drum life, such as the temperature, humidity, type of paper, type of toner used and so on. Under ideal conditions, the average drum life is estimated at approximately 75,000 pages based on three pages per job and 45,000 pages based on one page per job (A4/Letter single-sided pages). The number of pages may be affected by a variety of factors including, but not limited to, media type and media size.

Because we have no control over the many factors that determine the actual drum life, we cannot guarantee a minimum number of pages that will be printed by your drum.

- The machine should be used only in a clean, dust-free environment with adequate ventilation.

We recommend using genuine Brother supplies to ensure stable print quality and performance. Although not all non-genuine supplies may cause quality issues, it is possible that some may adversely affect print quality or cause machine malfunction. Brother may charge for repairing your machine if it is proven that non-genuine supplies caused the damage, even if the machine is still covered by the warranty.



## Related Information

- [Replace Supplies](#)

### Related Topics:

- [Improve the Print Quality](#)
- [Error and Maintenance Messages](#)

## Clean the Machine

Clean the outside and inside of the machine regularly with a dry, lint-free cloth.

When you replace the toner cartridge or the drum unit, make sure you clean the inside of the machine. If printed pages are stained with toner, clean the inside of the machine with a dry, lint-free cloth.

### WARNING

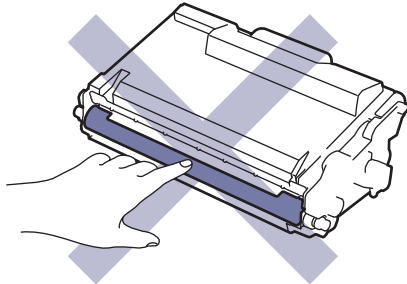
DO NOT use flammable substances, any type of spray, or an organic solvent/liquid containing alcohol or ammonia to clean the inside or outside of the product. Doing so could cause a fire. Instead, use only a dry, lint-free cloth.



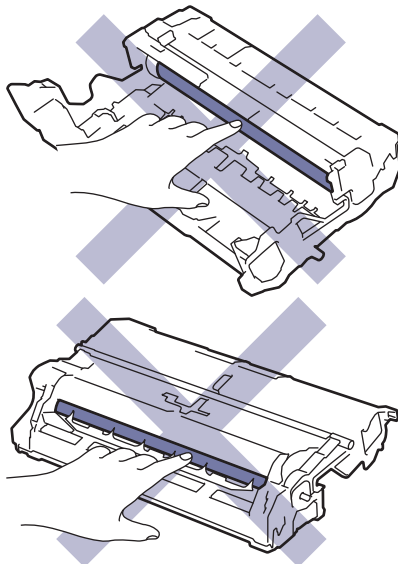
### IMPORTANT

- DO NOT use isopropyl alcohol to remove dirt from the control panel. It may crack the panel.
- To avoid print quality problems, DO NOT touch the shaded parts shown in the illustrations.

#### Toner cartridge

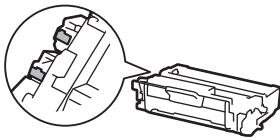


#### Drum unit





Both the toner cartridge and the drum unit feature an IC chip. DO NOT touch these surfaces. Touching the IC chips may cause contamination or damage, and may interfere with the machine's ability to detect these components.



## Related Information

- [Routine Maintenance](#)
  - [Clean the Touchscreen LCD](#)
  - [Clean the Corona Wire](#)
  - [Clean the Drum Unit](#)
  - [Clean the Paper Pick-up Rollers](#)


## Clean the Touchscreen LCD

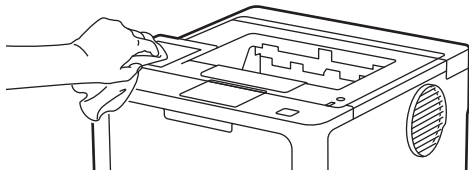
**Related Models:** HL-L6410DN/HL-L6415DW


Before starting the cleaning procedure, see *Related Information: Clean the Machine*.

### IMPORTANT

DO NOT use any type of liquid cleaners (including ethanol).

1. Press and hold  to turn the machine off.
2. Clean the touchscreen with a dry, soft lint-free cloth.



3. Press  to turn the machine on.



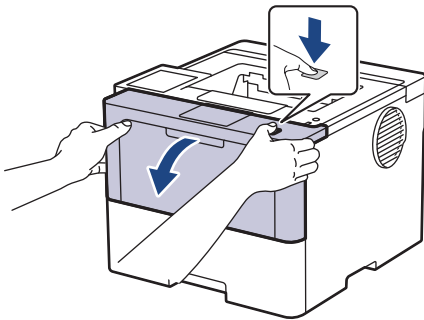
### Related Information

- [Clean the Machine](#)

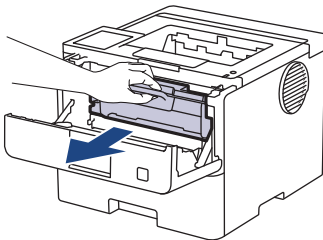
## Clean the Corona Wire

If you have print quality problems or the control panel displays [Drum !] status, clean the corona wire.

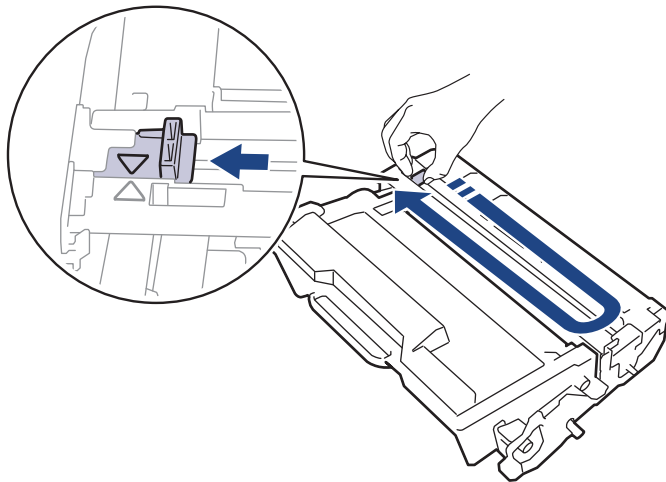
1. Open the front cover.



2. Remove the toner cartridge and drum unit assembly from the machine.

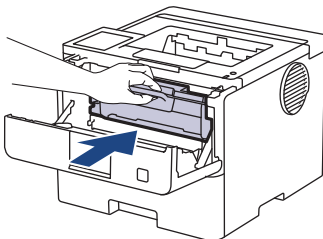


3. Clean the corona wire inside the drum unit by gently sliding the green tab from left to right and right to left several times.



Be sure to return the tab to the Home position (▲). The arrow on the tab must be aligned with the arrow on the drum unit. If it is not, printed pages may have a vertical stripe.

4. Reinsert the toner cartridge and drum unit assembly back into the machine.



5. Close the front cover of the machine.



### Related Information

- [Clean the Machine](#)

---

**Related Topics:**


- [Error and Maintenance Messages](#)
-

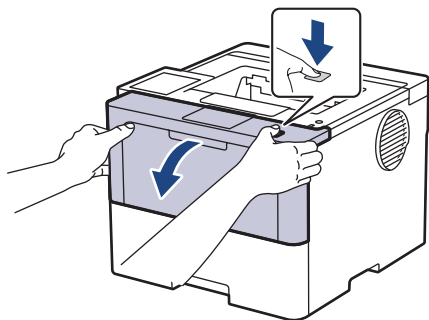
## Clean the Drum Unit

If your printout has dots or other repeating marks at 94 mm intervals, the drum may have foreign material, such as glue from a label, stuck on the drum surface.

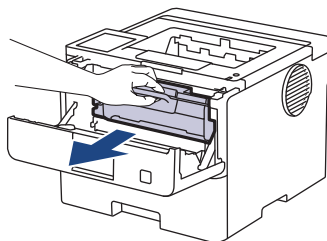
>> [HL-L5210DN/HL-L5210DW/HL-L6210DW](#)  
>> [HL-L6410DN/HL-L6415DW](#)

### HL-L5210DN/HL-L5210DW/HL-L6210DW

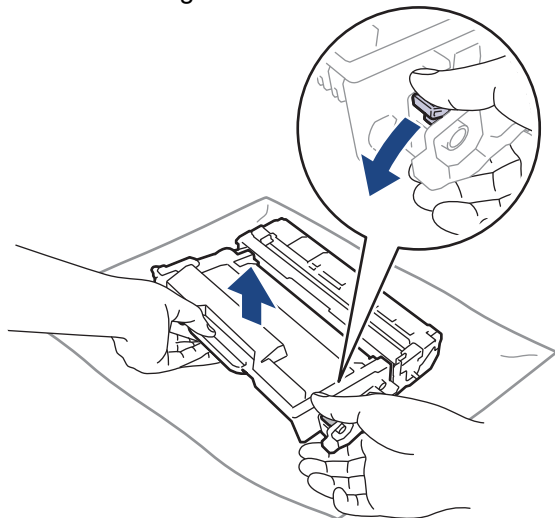
1. Make sure the machine is in Ready mode.
2. Press ▲ or ▼ to display the [Print Reports] option, and then press **OK**.
3. Press ▲ or ▼ to select the [Drum Dot Print] option.
4. Press **OK**.  
The machine prints the Drum Dot Check Sheet.
5. Press and hold  to turn the machine off.
6. Open the front cover.



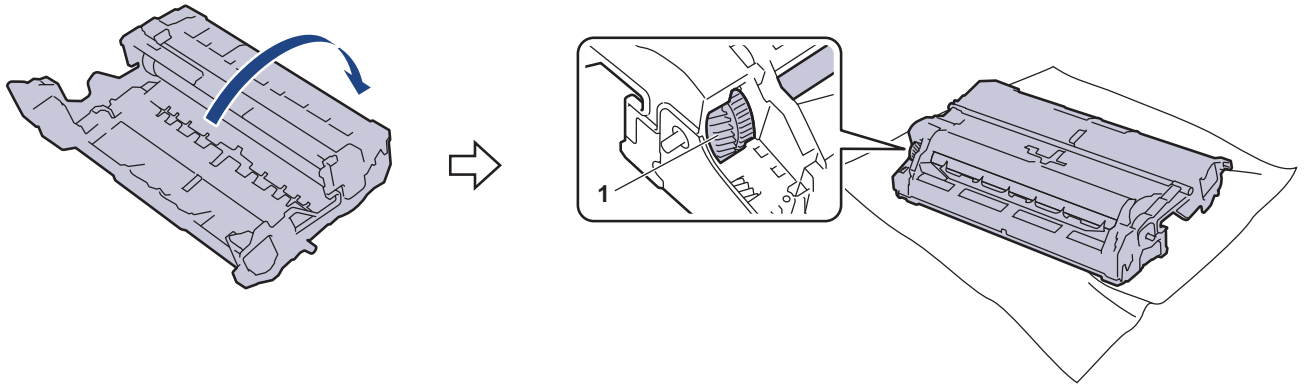
7. Remove the toner cartridge and drum unit assembly from the machine.



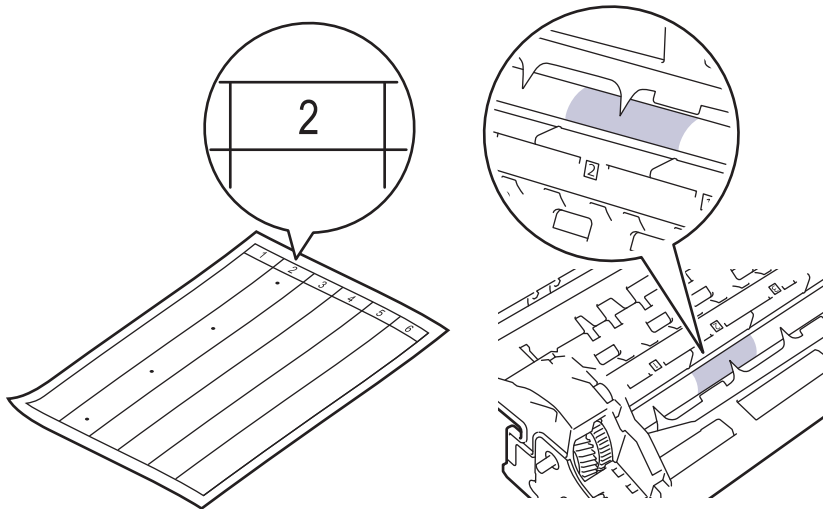
8. Push down the green lock lever and take the toner cartridge out of the drum unit.



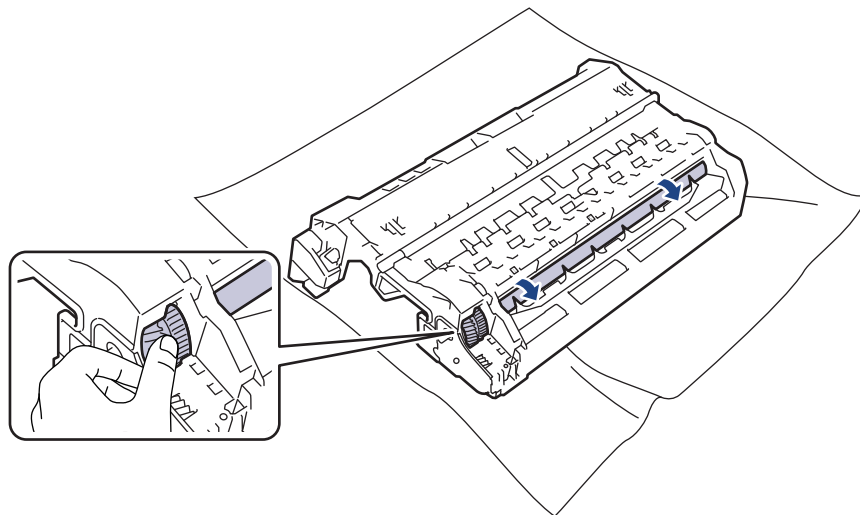
9. Turn the drum unit as shown in the illustration. Make sure that the drum unit gear (1) is on the left side.



10. Use the numbered markers next to the drum roller to find the mark on the drum. For example, a dot in column 2 on the check sheet means that there is a mark in drum region "2".



11. Turn the drum unit edge towards you while looking at the drum surface to find the mark.

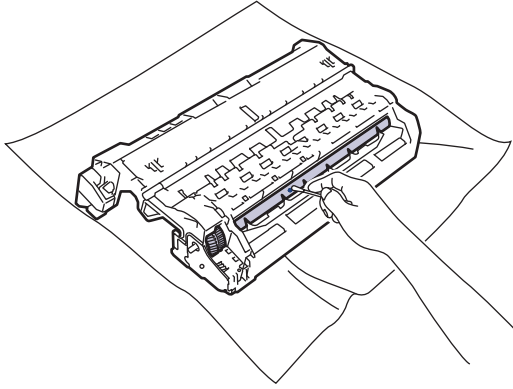


## IMPORTANT

To avoid print quality problems, DO NOT touch the surface of the drum unit, only the edge.



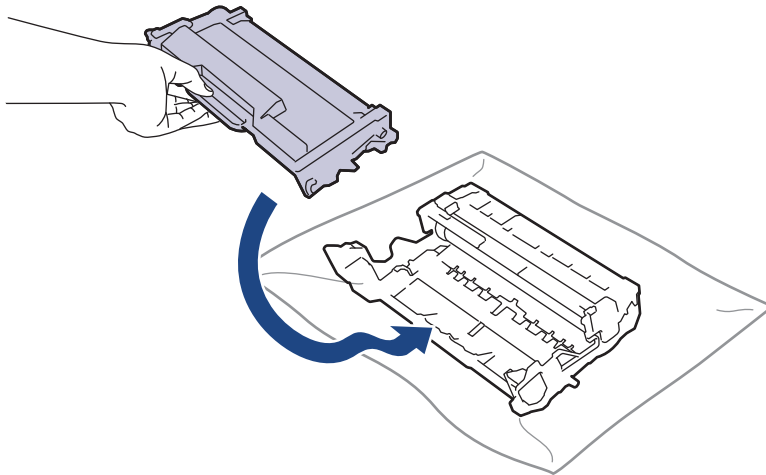
12. Wipe the drum unit surface gently with a dry cotton swab until the mark or foreign material on the surface comes off.



## NOTE

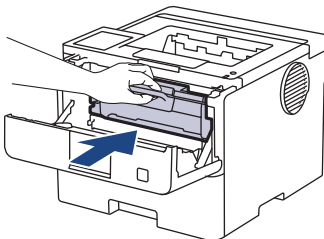
DO NOT clean the surface of the photosensitive drum with a sharp object or any liquids.

13. Push the toner cartridge firmly into the drum unit until you hear it lock into place.




Make sure you put the toner cartridge in correctly or it may separate from the drum unit.



14. Reinsert the toner cartridge and drum unit assembly back into the machine.



15. Close the front cover of the machine.

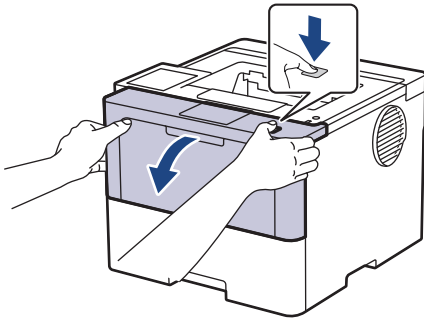
16. Press  to turn the machine on.

## HL-L6410DN/HL-L6415DW

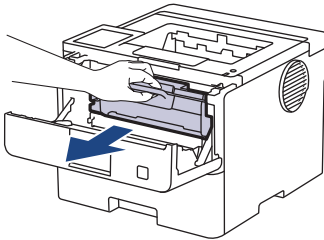
1. Make sure the machine is in Ready mode.
2. Press  [Settings] > [All Settings] > [Print Reports] > [Drum Dot Print].
3. Press [OK].  
The machine prints the Drum Dot Check Sheet.
4. Press .

5. Press and hold  to turn the machine off.

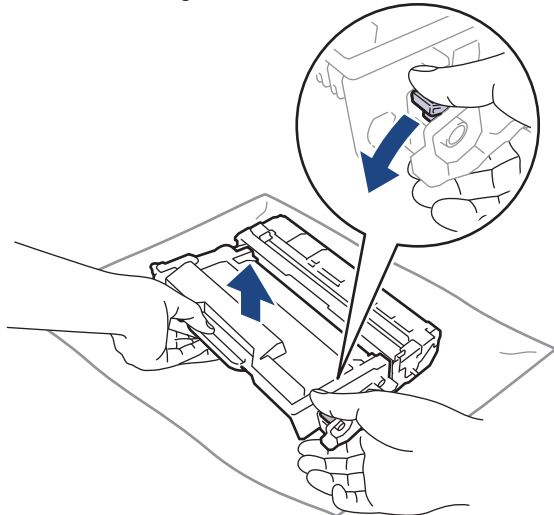
6. Open the front cover.



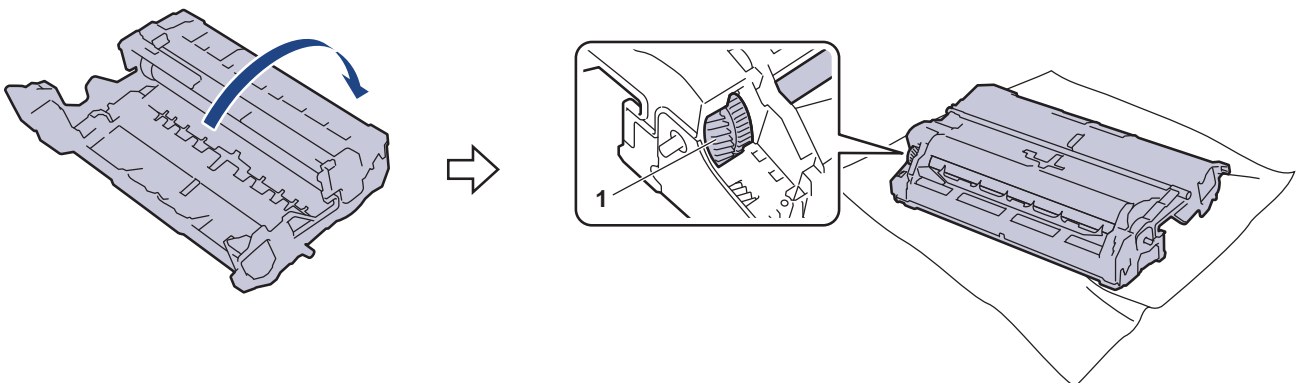
7. Remove the toner cartridge and drum unit assembly from the machine.



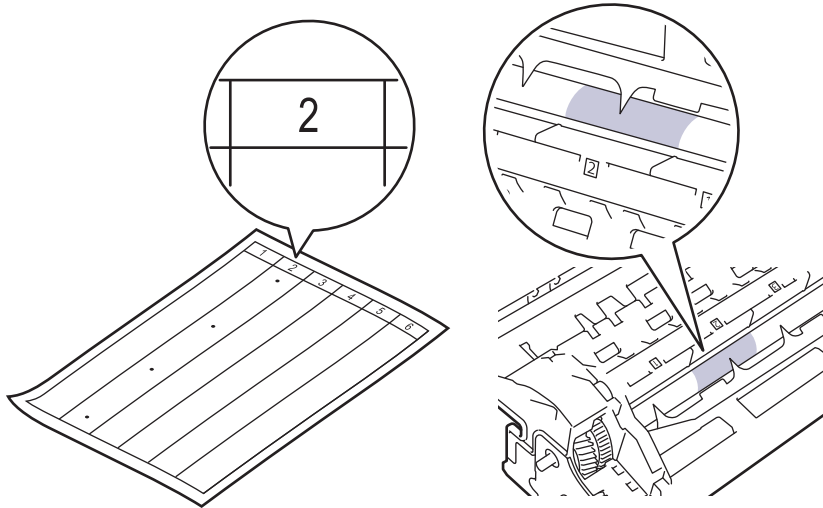
8. Push down the green lock lever and take the toner cartridge out of the drum unit.



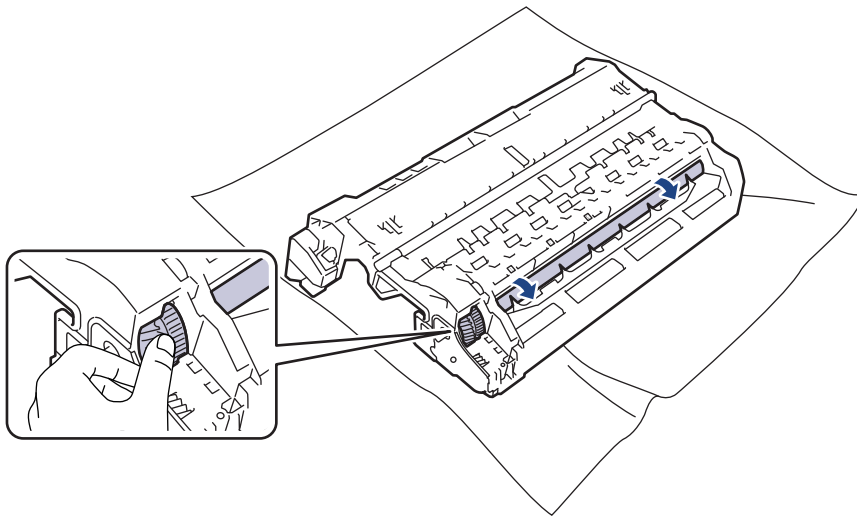
9. Turn the drum unit as shown in the illustration. Make sure that the drum unit gear (1) is on the left side.



10. Use the numbered markers next to the drum roller to find the mark on the drum. For example, a dot in column 2 on the check sheet means that there is a mark in drum region “2”.



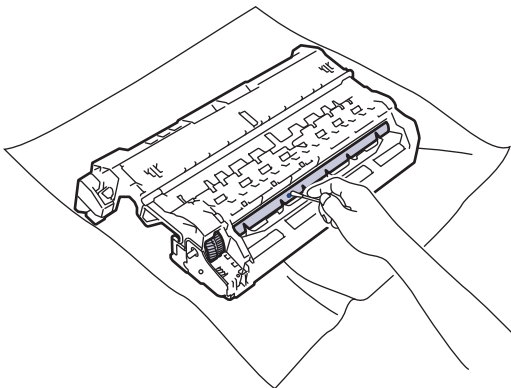
11. Turn the drum unit edge towards you while looking at the drum surface to find the mark.



## IMPORTANT

To avoid print quality problems, DO NOT touch the surface of the drum unit, only the edge.

12. Wipe the drum unit surface gently with a dry cotton swab until the mark or foreign material on the surface comes off.

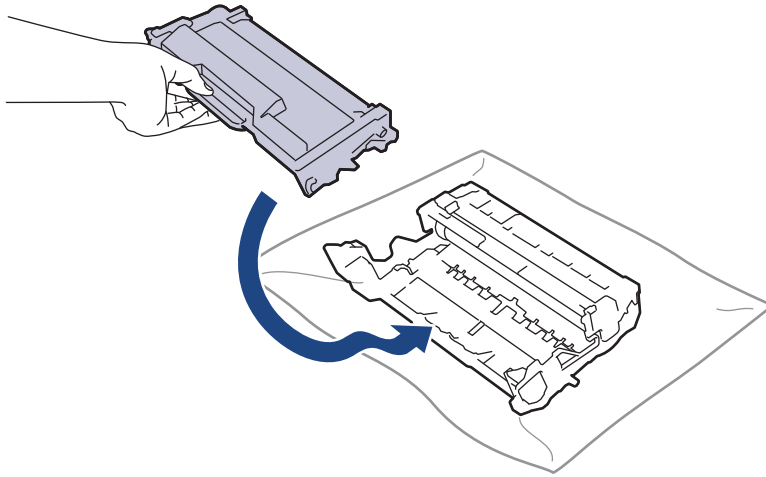


## NOTE

DO NOT clean the surface of the photosensitive drum with a sharp object or any liquids.

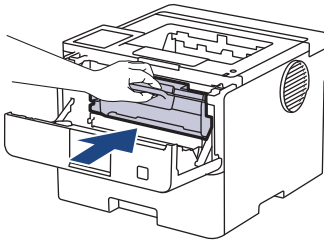
---

13. Push the toner cartridge firmly into the drum unit until you hear it lock into place.




Make sure you put the toner cartridge in correctly or it may separate from the drum unit.

14. Reinsert the toner cartridge and drum unit assembly back into the machine.



15. Close the front cover of the machine.

16. Press  to turn the machine on.



### Related Information

- [Clean the Machine](#)

#### Related Topics:


- [Improve the Print Quality](#)
-

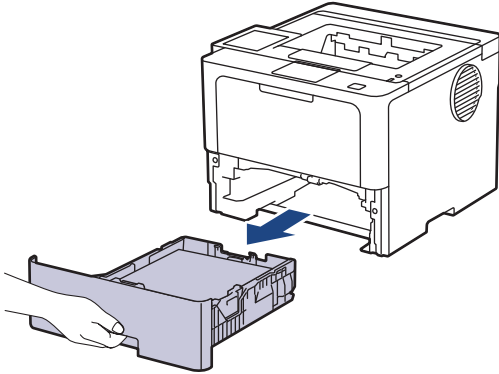
## Clean the Paper Pick-up Rollers

Cleaning the paper pick-up rollers periodically may prevent paper jams by ensuring that paper feeds correctly.

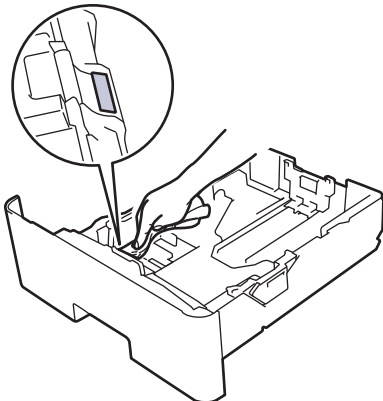
Before starting the cleaning procedure, see *Related Information: Clean the Machine*.

If you have paper feed problems, clean the pick-up rollers as follows:

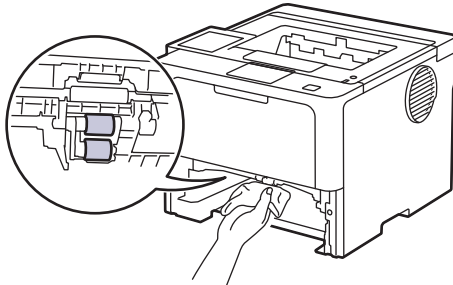
1. Press and hold  to turn the machine off.
2. Pull the paper tray completely out of the machine.




3. If paper is loaded or something is stuck inside in the paper tray, remove it.
4. Tightly wring out a lint-free cloth soaked in lukewarm water, and then wipe the separator pad on the paper tray to remove dust.



5. Wipe the two pick-up rollers inside the machine to remove dust.



6. Reload the paper and put the paper tray firmly back in the machine.
7. Press  to turn the machine on.

### Related Information

- [Clean the Machine](#)

#### Related Topics:

- [Printing Problems](#)

- 
- Clear Paper Jams
-

## Check the Remaining Part Life



>> [HL-L5210DN/HL-L5210DW/HL-L6210DW](#)

>> [HL-L6410DN/HL-L6415DW](#)


### HL-L5210DN/HL-L5210DW/HL-L6210DW

1. Press ▲ or ▼ to select the following:
  - a. Select [Machine Info.]. Press **OK**.
  - b. Select [Parts Life]. Press **OK**.
2. Press ▲ or ▼ to select the machine part you want to check, and then press **OK**.  
The LCD displays the approximate remaining part life.

### HL-L6410DN/HL-L6415DW

1. Press  [Settings] > [All Settings] > [Machine Information] > [Parts Life].
2. Press ▲ or ▼ to display the machine parts, and then press the machine part you want to check.  
The LCD displays the approximate remaining part life.
3. Press .



To display the approximate remaining life of the toner cartridge, press  on the LCD.

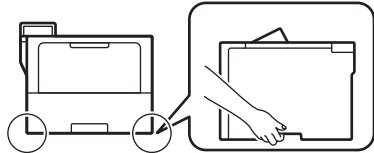
### Related Information

- [Routine Maintenance](#)

## Pack the Machine and the Toner Cartridge Together

### WARNING


- When you move the machine, carry the machine as shown in the illustration.



- If the machine has Optional Tray(s) installed, remove the Optional Tray(s) BEFORE moving the machine. Attempting to move the machine without removing the Optional Tray(s) may cause injury to you or damage to the machine.
- Pack the Optional Tray(s) separately in the original carton with original packing material.
- The components included in the box may differ depending on your country.



If for any reason you must ship your machine, carefully repack the machine in the original packaging to avoid any damage during transit. The machine should be adequately insured with the carrier.

- Press and hold  to turn the machine off. Leave the machine off for at least 10 minutes to cool down.
- Disconnect all the cables, and then unplug the power cord from the electrical socket.

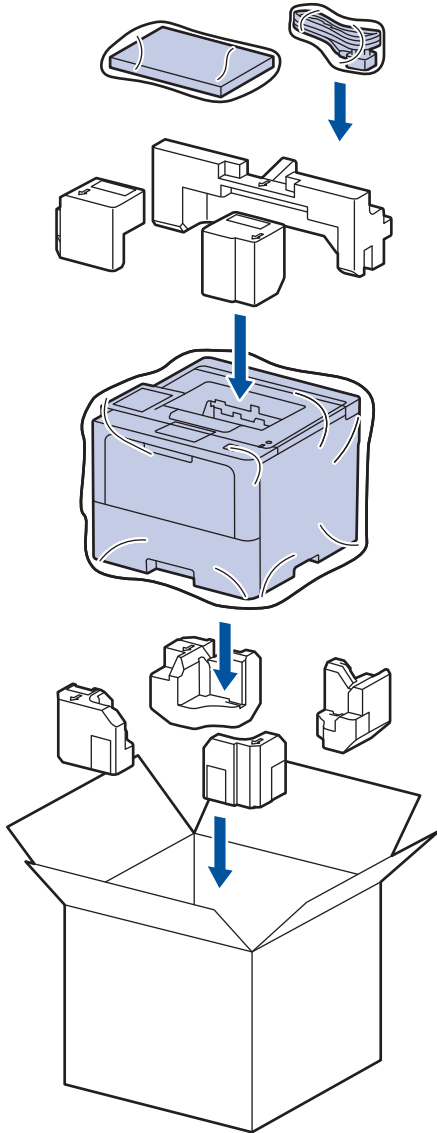


Some models are equipped with a non-detachable AC power cord. If your cord is not detachable, fold it loosely and rest it on top of the machine so it packs easily.

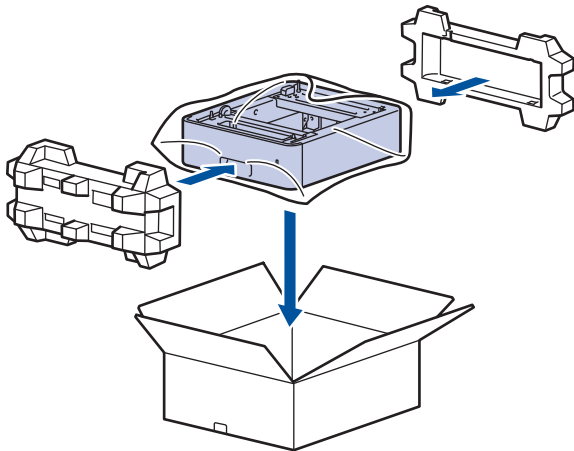
- Put the machine into the bag it originally came in.



- Pack the machine, the printed materials, and the AC power cord (if applicable) in the original carton with the original packing material as shown. (The original packing material may differ depending on your country or model.)



- Close the carton and tape it shut.
- If you have a Lower Tray, repack it as shown.



## Related Information

- [Routine Maintenance](#)

## Replace Periodic Maintenance Parts

Replace the following parts regularly to maintain the best print quality. The parts listed below must be replaced after printing approximately 50,000 pages <sup>1</sup> for the Paper Feeding Kits of the MP tray and approximately 200,000 pages <sup>1</sup> for the Paper Feeding Kits of the standard paper tray, the Paper Feeding Kits of the optional paper tray, Fuser Unit, and Laser Unit.

Contact Brother customer service or your local Brother dealer when the following messages appear on the LCD:

LCD Message	Description
Maintenance Replace Fuser <sup>2</sup>	Replace the Fuser Unit.
Maintenance Replace Laser <sup>2</sup>	Replace the Laser Unit.
Maintenance Replace PF Kit 1 <sup>2 3</sup>	Replace the Paper Feeding Kit for the Standard Paper Tray.
Maintenance Replace PF Kit 2 <sup>2 3 4</sup>	Replace the Paper Feeding Kit for the Optional Tray.
Maintenance Replace PF Kit MP <sup>2 3</sup>	Replace the Paper Feeding Kit for the Multi-purpose (MP) Tray.



### Related Information

- [Routine Maintenance](#)

<sup>1</sup> Letter or A4 size 1-sided pages.

<sup>2</sup> The replacement frequency depends on the complexity of printed pages, percentage of coverage, and the type of media used.

<sup>3</sup> The kit includes the roller holder assembly, separation pad, and separation pad spring for the paper tray or MP Tray.

<sup>4</sup> If you use the Optional Tray(s) with your machine, this message will appear on the LCD. When the machine has multiple Optional Trays, the machine displays messages using numbers corresponding to each Optional Tray.

## Machine Settings

Customise settings and features to make your machine a more efficient work tool.

- [Change Machine Settings from the Control Panel](#)
- [Change Machine Settings Using Web Based Management](#)

## Change Machine Settings from the Control Panel



- [General Settings](#)
- [Settings and Features Tables](#)

## General Settings

- [Adjust the Machine's Volume](#)
- [Set Sleep Mode Countdown](#)
- [About Deep Sleep Mode](#)
- [Set Auto Power Off Mode](#)
- [Adjust the LCD Backlight Brightness](#)
- [Change How Long the LCD Backlight Stays On](#)
- [Reduce Toner Consumption](#)
- [Reduce Printing Noise](#)
- [Improve Print Output](#)
- [Change the Language on the LCD](#)

## Adjust the Machine's Volume

Related Models: HL-L6410DN/HL-L6415DW

1. Press  [Settings] > [All Settings] > [General Setup] > [Beep].
2. Press ▲ or ▼ to display the [Off], [Low], [Med] or [High] option, and then press the option you want.
3. Press .



### Related Information

- [General Settings](#)

## Set Sleep Mode Countdown

The Sleep Mode (or Power Save Mode) setting can reduce power consumption. Select how long the machine must be idle before it goes into Sleep Mode. The Sleep Mode timer is reset when the machine receives a print job.

When the machine is in Sleep Mode, it acts as if it is turned off. The machine will wake up and start printing when it receives a print job. Use these instructions to set a time delay (countdown) before the machine enters Sleep Mode.



The Sleep Mode setting cannot be disabled due to environmental considerations.



>> [HL-L5210DN/HL-L5210DW/HL-L6210DW](#)

>> [HL-L6410DN/HL-L6415DW](#)

### HL-L5210DN/HL-L5210DW/HL-L6210DW

1. Press **▲** or **▼** to select the following:
  - a. Select [General Setup]. Press **OK**.
  - b. Select [Ecology]. Press **OK**.
  - c. Select [Sleep Time]. Press **OK**.
2. Press **▲** or **▼** to enter the length of time (up to 50 minutes) that the machine should remain idle before entering Sleep Mode.  
Press **Go**.

### HL-L6410DN/HL-L6415DW

1. Press  [Settings] > [All Settings] > [General Setup] > [Ecology] > [Sleep Time].
2. Enter the length of time (up to 50 minutes) that the machine should remain idle before entering Sleep Mode, and then press [OK].
3. Press .





### Related Information

- [General Settings](#)

## About Deep Sleep Mode

If the machine is in Sleep Mode and does not receive any jobs for a certain length of time, the machine will automatically enter Deep Sleep Mode. The length of time is based on your specific model and settings.

Deep Sleep Mode uses less power than Sleep Mode.

Applicable Models	Machine's LCD in Deep Sleep Mode	Conditions That Will Wake the Machine
HL-L5210DN/HL-L5210DW/ HL-L6210DW	The LCD displays <i>Deep Sleep</i> .	<ul style="list-style-type: none"><li>The machine receives a job.</li><li>Someone presses a button on the control panel.</li></ul>
HL-L6410DN/HL-L6415DW	The LCD backlight turns off and the Power LED blinks.	<ul style="list-style-type: none"><li>The machine receives a job.</li><li>Someone presses ,  or the touchscreen LCD.</li></ul>


### Related Information

- [General Settings](#)



## Set Auto Power Off Mode

If the machine is in Deep Sleep Mode for certain length of time, based on your model and settings, the machine will go into Power Off Mode automatically. The machine does not go into Power Off Mode when the machine is connected to a network or has secure print data in the memory(available only for certain models).

To start printing, press  on the control panel and then send a print job.

>> [HL-L5210DN/HL-L5210DW/HL-L6210DW](#)

>> [HL-L6410DN/HL-L6415DW](#)



### HL-L5210DN/HL-L5210DW/HL-L6210DW



Select how long the machine must be in Deep Sleep Mode before it goes into Auto Power Off Mode.

1. Press **▲** or **▼** to select the following:
  - a. Select [General Setup]. Press **OK**.
  - b. Select [Ecology]. Press **OK**.
  - c. Select [Auto Power Off]. Press **OK**.
2. Press **▲** or **▼** to select the length of time (1, 2, 4, or 8 hours) that the machine should remain idle before entering Power Off Mode.
3. Press **Go**.

### HL-L6410DN/HL-L6415DW

1. Press  [Settings] > [All Settings] > [General Setup] > [Ecology] > [Auto Power Off].
2. Press **▲** or **▼** to display the length of time (1, 2, 4, or 8 hours) that the machine should remain idle before entering Power Off Mode, and then press the option you want.
3. Press .





### Related Information

- [General Settings](#)

## Adjust the LCD Backlight Brightness

**Related Models:** HL-L6410DN/HL-L6415DW

If you are having difficulty reading the LCD, changing the brightness setting may help.

1. Press  [Settings] > [All Settings] > [General Setup] > [LCD Settings] > [Backlight].
2. Press the option you want:
  - [Light]
  - [Med]
  - [Dark]
3. Press .





### Related Information

- [General Settings](#)

## Change How Long the LCD Backlight Stays On

**Related Models:** HL-L6410DN/HL-L6415DW

Set how long the LCD backlight stays on.

1. Press  [Settings] > [All Settings] > [General Setup] > [LCD Settings] > [Dim Timer].
2. Press the [10 Secs] , [20 Secs] or [30 Secs] option.
3. Press .

### Related Information

- [General Settings](#)

## Reduce Toner Consumption

Using the Toner Save feature may reduce toner consumption. When Toner Save is set to on, the print on your documents appears lighter.

We DO NOT recommend using the Toner Save feature for printing photo or greyscale images.



>> [HL-L5210DN/HL-L5210DW/HL-L6210DW](#)

>> [HL-L6410DN/HL-L6415DW](#)

### HL-L5210DN/HL-L5210DW/HL-L6210DW

1. Press ▲ or ▼ to select the following:
  - a. Select [General Setup]. Press **OK**.
  - b. Select [Ecology]. Press **OK**.
  - c. Select [Toner Save]. Press **OK**.
2. Press ▲ or ▼ to display [On], and then press **Go**.

### HL-L6410DN/HL-L6415DW

1. Press  [Settings] > [All Settings] > [General Setup] > [Ecology] > [Toner Save].
2. Press [On] or [Off].
3. Press .

### ✓ Related Information

- [General Settings](#)

#### Related Topics:

- [Improve the Print Quality](#)

## Reduce Printing Noise

The Quiet Mode setting can reduce printing noise. When Quiet Mode is turned on, the print speed becomes slower. The factory setting is off.



>> [HL-L5210DN/HL-L5210DW/HL-L6210DW](#)

>> [HL-L6410DN/HL-L6415DW](#)

### HL-L5210DN/HL-L5210DW/HL-L6210DW

1. Press ▲ or ▼ to select the following:
  - a. Select [General Setup]. Press **OK**.
  - b. Select [Ecology]. Press **OK**.
  - c. Select [Quiet Mode]. Press **OK**.
2. Press ▲ or ▼ to display the [On] or [Off] option, and then press **Go**.

### HL-L6410DN/HL-L6415DW

1. Press  [Settings] > [All Settings] > [General Setup] > [Ecology] > [Quiet Mode].
2. Press [On] or [Off].
3. Press .

### Related Information

- [General Settings](#)

## Improve Print Output

If the printout is curled or the toner does not fix well, you can improve the print output.



>> [HL-L5210DN/HL-L5210DW/HL-L6210DW](#)

>> [HL-L6410DN/HL-L6415DW](#)

### HL-L5210DN/HL-L5210DW/HL-L6210DW

1. Press ▲ or ▼ to select the following:
  - a. Select [General Setup]. Press **OK**.
  - b. Select [Improve Output]. Press **OK**.
2. Press ▲ or ▼ to display the [Off], [Reduce Curl], or [Toner Fixing] option, and then press **Go**.

### HL-L6410DN/HL-L6415DW

1. Press  [Settings] > [All Settings] > [General Setup] > [Improve Output].
2. Press [Off], [Reduce Curl], or [Toner Fixing].
3. Press .

### Related Information

- [General Settings](#)

## Change the Language on the LCD

Change the LCD language if needed.

This feature is not available in some countries.



>> [HL-L5210DN/HL-L5210DW/HL-L6210DW](#)

>> [HL-L6410DN/HL-L6415DW](#)

### HL-L5210DN/HL-L5210DW/HL-L6210DW

1. Press ▲ or ▼ to select the following:
  - a. Select [Initial Setup]. Press **OK**.
  - b. Select [Local Language]. Press **OK**.
2. Press ▲ or ▼ to display your language, and then press **Go**.

### HL-L6410DN/HL-L6415DW

1. Press  [Settings] > [All Settings] > [Initial Setup] > [Local Language].
2. Press your language.
3. Press .

### Related Information

- [General Settings](#)

## Settings and Features Tables

The Settings tables will help you understand the menu selections and options that are found in the machine's programs.

- [Settings Tables \(HL-L5210DN/HL-L5210DW/HL-L6210DW\)](#)
- [Settings Tables \(HL-L6410DN/HL-L6415DW\)](#)
- [Feature Tables \(HL-L6410DN/HL-L6415DW\)](#)



## Settings Tables (HL-L5210DN/HL-L5210DW/HL-L6210DW)

**Related Models:** HL-L5210DN/HL-L5210DW/HL-L6210DW

Use these tables to understand the various menus and options that you will use to set your preferences on the machine.

>> [General Setup]  
 >> [Printer]  
 >> [Network] (HL-L5210DN)  
 >> [Network] (HL-L5210DW/HL-L6210DW)  
 >> [Print Reports]  
 >> [Machine Info.]  
 >> [Initial Setup]

### [General Setup]

Level 3	Level 4	Level 5	Level 6	Description	
Tray Setting	Paper Type	MP Tray	-	Select the paper type that matches the paper in the MP tray.	
		Tray 1	-	Select the paper type that matches the paper in the standard paper tray.	
		Tray 2 <sup>1</sup>	-	Select the paper type that matches the paper in the Optional Tray (Tray 2).	
		Tray 3 <sup>1</sup>	-	Select the paper type that matches the paper in the Optional Tray (Tray 3).	
		Tray 4 <sup>1</sup>	-	Select the paper type that matches the paper in the Optional Tray (Tray 4).	
	Paper Size	MP Tray	-	Select the paper size you loaded in the MP tray.	
		Tray 1	-	Select the paper size you loaded in the standard paper tray.	
		Tray 2 <sup>1</sup>	-	Select the paper size you loaded in the Optional Tray (Tray 2).	
		Tray 3 <sup>1</sup>	-	Select the paper size you loaded in the Optional Tray (Tray 3).	
		Tray 4 <sup>1</sup>	-	Select the paper size you loaded in the Optional Tray (Tray 4).	
	Tray Use	-	-	Select the paper tray you want to use.	
	Priority	-	-	When Auto is selected in Tray Use, select the order in which the machine uses paper trays that contain paper of the same size.	
	Print Position	MP Tray	X Offset		Adjust the print start position (usually at the top-left corner of a page) for the paper you loaded in the MP tray horizontally from -500 (left) to +500 (right) dots when printing at 300 dpi.
			Y Offset		Adjust the print start position (usually at the top-left corner of a page) for the paper you loaded in the MP tray vertically from -500 (up) to +500 (down) dots when printing at 300 dpi.
		Tray 1	X Offset		Adjust the print start position (usually at the top-left corner of a page) for the paper you loaded in the

Level 3	Level 4	Level 5	Level 6	Description
Tray Setting	Print Position	Tray 1		standard paper tray horizontally from -500 (left) to +500 (right) dots when printing at 300 dpi.
			Y Offset	Adjust the print start position (usually at the top-left corner of a page) for the paper you loaded in the standard paper tray vertically from -500 (up) to +500 (down) dots when printing at 300 dpi.
		Tray 2 <sup>1</sup>	X Offset	Adjust the print start position (usually at the top-left corner of a page) for the paper you loaded in the Optional tray (Tray 2) horizontally from -500 (left) to +500 (right) dots when printing at 300 dpi.
			Y Offset	Adjust the print start position (usually at the top-left corner of a page) for the paper you loaded in the Optional tray (Tray 2) vertically from -500 (up) to +500 (down) dots when printing at 300 dpi.
		Tray 3 <sup>1</sup>	X Offset	Adjust the print start position (usually at the top-left corner of a page) for the paper you loaded in the Optional tray (Tray 3) horizontally from -500 (left) to +500 (right) dots when printing at 300 dpi.
			Y Offset	Adjust the print start position (usually at the top-left corner of a page) for the paper you loaded in the Optional tray (Tray 3) vertically from -500 (up) to +500 (down) dots when printing at 300 dpi.
		Tray 4 <sup>1</sup>	X Offset	Adjust the print start position (usually at the top-left corner of a page) for the paper you loaded in the Optional tray (Tray 4) horizontally from -500 (left) to +500 (right) dots when printing at 300 dpi.
			Y Offset	Adjust the print start position (usually at the top-left corner of a page) for the paper you loaded in the Optional tray (Tray 4) vertically from -500 (up) to +500 (down) dots when printing at 300 dpi.
	Skip Tray	-	-	Select a specific tray you do not want to use if it is loaded with paper of the wrong size.
	Separator Tray	-	-	Select the tray that contains the paper used as the separator paper, which is inserted between each print job.
Check Paper	-	-	Select whether to display a message indicating to check the paper type and paper size when you pull the tray out of the machine.	
Ecology	Eco Mode	-	-	Turn the following machine settings on at the same time: <ul style="list-style-type: none"> <li>• 2-sided Print: Long Edge <sup>2</sup></li> <li>• Sleep Time: 0Min</li> <li>• Quiet Mode: On <sup>2</sup></li> <li>• Toner Save: On <sup>2</sup></li> </ul>
	Toner Save	-	-	Increase the page yield of the toner cartridge.
	Sleep Time	-	-	Set how much time will pass before the machine enters Power Saving mode.
	Quiet Mode	-	-	Decrease printing noise.
	Auto Power Off	-	-	Set the number of hours that the machine will remain in Deep Sleep mode before going into Power Off mode.
Improve Output	-	-	-	Enable the Reduce Curl feature or the Toner Fixing feature to improve print output.
Panel Control	Button Repeat	-	-	Set the time for the LCD message to change when holding ▲ or ▼.

Level 3	Level 4	Level 5	Level 6	Description
Panel Control	Message Scroll	-	-	Set the time in seconds that an LCD message will scroll across the LCD. From Level 1 (0.2 s) to Level 10 (2 s).
	LCD Contrast	-	-	Adjust the contrast of the LCD.
	Auto Online	-	-	Set the machine to return to Ready mode after it has been idle for 30 seconds.
Setting Lock	-	-	-	Lock your machine's settings using the Setting Lock password.
Interface	Select	-	-	Select the interface to use. If you select <code>Auto</code> , the machine changes the interface to USB or network depending on which interface is receiving data.
	Auto IF Time	-	-	Set the time-out period for the auto interface selection.
	Input Buffer	-	-	Increase or decrease the input buffer capacity.
Delete Storage	Macro ID	-	-	Delete the registered Macro data.
	Font ID	-	-	Delete the registered Font data.
	Delete All	-	-	Restore the Macro, Stream and Font data of your machine to the factory settings.

<sup>1</sup> Available if the Optional Tray(s) is installed.

<sup>2</sup> Changing this setting is available only after you change certain other machine settings using Web Based Management.

## [Printer]

Level 3	Level 4	Level 5	Description
Emulation	-	-	Choose the emulation mode.
Resolution	-	-	Select a print resolution.
Density	-	-	Increase or decrease the print density.
Printer Settings	-	-	Set your print settings to Text or Graphics.
Print Options	Font List	HP LaserJet	Print the font list and samples of HP LaserJet.
		BR-Script 3	Print the font list and samples of BR-Script.
	Test Print	-	Print the test page.
2-sided	2-sided Print	-	Select whether to print on both sides of the paper.
	Single Image	-	For a print job where the last page is a one-sided image, select the <code>1-sided Feed</code> option to reduce printing time. When you use letterhead or preprinted paper, you must select the <code>2-sided Feed</code> option. If you select <code>1-sided Feed</code> for letterhead or preprinted paper, the last page will be printed on the reverse side.
Auto Continue	-	-	Select if you want the machine to clear paper size errors or media type errors automatically, and use paper from other trays.
Paper Type	-	-	Set the type of paper.
Paper Size	-	-	Set the paper size.
Copies	-	-	Set the number of printed pages.
Orientation	-	-	Set pages to print in either portrait or landscape orientation.
Print Position	-	-	Access the Print Position setting menus.
Auto FF	-	-	Allow the machine to print any remaining data automatically.

Level 3	Level 4	Level 5	Description
HP LaserJet	Font No.	-	Set the font number. This menu appears if a soft font is installed on your Brother machine.
	Font Pitch	-	Set the font pitch. (Available only for certain fonts.)
	Font Point	-	Set the font size. (Available only for certain fonts.)
	Symbol Set	-	Select the symbol or character set.
	Table Print	-	Print the code table.
	Auto LF	-	ON: CR -> CR+LF, OFF: CR -> CR
	Auto CR	-	ON: LF -> LF+CR, FF -> FF+CR, or VT -> VT+CR OFF: LF -> LF, FF -> FF, or VT -> VT
	Auto WRAP	-	Select whether you want a line feed and carriage return when the carriage position reaches the right margin.
	Auto SKIP	-	Select whether you want a line feed and carriage return when the carriage position reaches the bottom margin.
	Left Margin	-	Set the left margin at column 0 to 70 columns at 1 cpi.
	Right Margin	-	Set the right margin at column 10 to 80 columns at 1 cpi.
	Top Margin	-	Set the top margin distance from the top edge of the paper.
	Bottom Margin	-	Set the bottom margin distance from the bottom edge of the paper.
	Lines	-	Set the number of lines on each page.
Tray Command	-	Select this setting if a tray mismatch appears when you use the HP drivers.	
Epson FX-850	Font No.	-	Set the font number.
	Font Pitch	-	Set the font pitch. (Available only for certain fonts.)
	Font Point	-	Set the font size. (Available only for certain fonts.)
	Character Set	-	Select the symbol or character set.
	Table Print	-	Print the code table.
	Auto LF	-	ON: CR -> CR+LF, OFF: CR -> CR
	Auto Mask	-	Set the top and bottom margins to two lines each. When you set Auto Mask to On, this setting overrides the Top Margin and Bottom Margin settings.
	Left Margin	-	Set the left margin at column 0 to 70 columns at 1 cpi.
	Right Margin	-	Set the right margin at column 10 to 80 columns at 1 cpi.
	Top Margin	-	Set the top margin distance from the top edge of the paper.
	Bottom Margin	-	Set the bottom margin distance from the bottom edge of the paper.
Lines	-	Set the number of lines on each page.	
IBM Proprinter	Font No.	-	Set the font number.
	Font Pitch	-	Set the font pitch. (Available only for certain fonts.)

Level 3	Level 4	Level 5	Description
IBM Proprinter	Font Point	-	Set the font size. (Available only for certain fonts.)
	Character Set	-	Select the symbol or character set.
	Table Print	-	Print the code table.
	Auto LF	-	ON: CR -> CR+LF, OFF: CR -> CR
	Auto CR	-	ON: LF -> LF+CR, FF -> FF+CR, or VT -> VT+CR OFF: LF -> LF, FF -> FF, or VT -> VT
	Auto Mask	-	Set the top and bottom margins to two lines each. When you set Auto Mask to On, this setting overrides the Top Margin and Bottom Margin settings.
	Left Margin	-	Set the left margin at column 0 to 70 columns at 1 cpi.
	Right Margin	-	Set the right margin at column 10 to 80 columns at 1 cpi.
	Top Margin	-	Set the top margin distance from the top edge of the paper.
	Bottom Margin	-	Set the bottom margin distance from the bottom edge of the paper.
Lines	-	Set the number of lines on each page.	
BR-Script 3	Error Print	-	Choose whether the machine prints the error information when errors occur.
PDF	Multiple Page	-	Set the page layout when printing multiple pages.
	PDF Print Opt	-	Set the PDF Print setting to print either comments (Markup) or stamps in the PDF file, along with the text.
	Fit to Page	-	Select if the machine scales or resizes the pages in the PDF file to fit the selected paper size.
Carbon Menu	Carbon Copy	-	Enable or disable the Carbon Copy function.
	Copies	-	Sets the number of printed pages.
	Copy1 Tray	-	Select the tray you use for Copy1.
	Copy1 Macro	-	Select a macro/stream for Copy1.
	Copy2 Tray ... Copy8 Tray	-	Select the tray you use for Copy2 to Copy8.
	Copy2 Macro ... Copy8 Macro	-	Select a macro/stream for Copy2 to Copy8.
Reset Printer	-	-	Restore the machine settings to the factory settings.

### [Network] (HL-L5210DN)

Level 3	Level 4	Level 5	Level 6	Descriptions
Wired LAN	TCP/IP	Boot Method	-	Choose the IP method that best suits your needs.
		IP Address	-	Enter the IP address.
		Subnet Mask	-	Enter the Subnet mask.
		Gateway	-	Enter the Gateway address.
		Node Name	-	Enter the Node name.
		WINS Config	-	Select the WINS configuration mode.

Level 3	Level 4	Level 5	Level 6	Descriptions
Wired LAN	TCP/IP	WINS Server	Primary	Specify the IP address of the primary WINS server.
			Secondary	Specify the IP address of the secondary WINS server.
		DNS Server	Primary	Specify the IP address of the primary DNS server.
			Secondary	Specify the IP address of the secondary DNS server.
		APIPA	-	Allocate the IP address from the link-local address range automatically. <sup>1</sup>
		IPv6	-	Enable or disable the IPv6 protocol.
	Ethernet	-	-	Choose the Ethernet link mode.
	Wired Status	-	-	Display the wired network connection status.
	MAC Address	-	-	Display your machine's MAC address.
Wired Enable	-	-	Turn the wired interface on or off.	
Web Based Mgmt	-	-	-	Enable or disable the Web Based Management function. If you enable this function, make sure you specify the method of connecting to Web Based Management.
IPsec	-	-	-	IPsec is an optional security feature of the IP protocol that provides authentication and encryption services. We recommend contacting your network administrator before changing this setting.
Global Detect	Allow Detect	-	-	Enable or disable a function that detects and notifies the user when the user unintentionally connects to a global network.
	Reject Access	-	-	Disable connections to the global network.
Network Reset	-	-	-	Restore all network settings of your machine to the factory settings.

<sup>1</sup> On connection to the network, if the machine's 'Boot Method' is 'Auto' the machine will attempt to set the IP address and Subnet Mask from a boot server such as DHCP. If a boot server cannot be found, an APIPA IP address will be allocated, such as 169. 254. (001-254). (000-255). If the 'Boot Method' of the machine is set to 'Static' you must manually enter an IP address from the machine's control panel.

### [Network] (HL-L5210DW/HL-L6210DW)

Level 3	Level 4	Level 5	Level 6	Descriptions
Wired LAN	TCP/IP	Boot Method	-	Choose the IP method that best suits your needs.
		IP Address	-	Enter the IP address.
		Subnet Mask	-	Enter the Subnet mask.
		Gateway	-	Enter the Gateway address.
		Node Name	-	Enter the Node name.
		WINS Config	-	Select the WINS configuration mode.
		WINS Server	Primary	Specify the IP address of the primary WINS server.

Level 3	Level 4	Level 5	Level 6	Descriptions
Wired LAN	TCP/IP	WINS Server	Secondary	Specify the IP address of the secondary WINS server.
		DNS Server	Primary	Specify the IP address of the primary DNS server.
			Secondary	Specify the IP address of the secondary DNS server.
		APIPA	-	Allocate the IP address from the link-local address range automatically. <sup>1</sup>
		IPv6	-	Enable or disable the IPv6 protocol.
	Ethernet	-	-	Choose the Ethernet link mode.
	Wired Status	-	-	Display the wired network connection status.
	MAC Address	-	-	Display your machine's MAC address.
	Set to Default	-	-	Restore your machine's wired network settings to the factory settings.
	Wired Enable	-	-	Turn the wired interface on or off.
WLAN (Wi-Fi)	Find Network	-	-	Configure your wireless network settings manually.
	TCP/IP	Boot Method	-	Choose the IP method that best suits your needs.
		IP Address	-	Enter the IP address.
		Subnet Mask	-	Enter the Subnet mask.
		Gateway	-	Enter the Gateway address.
		Node Name	-	Enter the Node name.
		WINS Config	-	Select the WINS configuration mode.
		WINS Server	Primary	Specify the IP address of the primary WINS server.
			Secondary	Specify the IP address of the secondary WINS server.
		DNS Server	Primary	Specify the IP address of the primary DNS server.
	Secondary		Specify the IP address of the secondary DNS server.	
	APIPA	-	Allocate the IP address from the link-local address range automatically. <sup>1</sup>	
	IPv6	-	Enable or disable the IPv6 protocol.	
	WPS/Push Button	-	-	Configure your wireless network settings using the one-button push method.
	WPS/PIN Code	-	-	Configure the wireless network settings using WPS with a PIN code.
	WLAN Status	Status	-	Display the wireless network connection status.
Signal		-	Display the wireless network signal strength.	
Channel		-	Display the channel in use when Status is Active.	
Speed		-	Display the connection speed when Status is Active.	
SSID		-	Display the wireless SSID (Network Name).	

Level 3	Level 4	Level 5	Level 6	Descriptions	
WLAN (Wi-Fi)	WLAN Status	Comm. Mode	-	Display the current Communication mode.	
	MAC Address	-	-	Display your machine's MAC address.	
	Set to Default	-	-	Restore your machine's wireless network settings to the factory settings.	
	WLAN Enable	-	-	Turn the wireless interface on or off.	
Wi-Fi Direct	Manual	-	-	Configure your Wi-Fi Direct network settings manually.	
	Group Owner	-	-	Set your machine as the Group Owner.	
	Push Button	-	-	Configure your Wi-Fi Direct network settings using the one-button push method quickly.	
	PIN Code	-	-	Configure your Wi-Fi Direct network settings using WPS with a PIN code quickly.	
	Device Info.	Device Name	-	-	View your machine's device name.
		SSID	-	-	Display the Group Owner's SSID (Network Name).
		IP Address	-	-	Display your machine's IP Address.
	Status Info.	Status	-	-	Display the Wi-Fi Direct network status.
		Signal	-	-	Display the current Wi-Fi Direct network signal strength. When your machine acts as Group Owner, the LCD always displays <i>Strong</i> .
		Channel	-	-	Display the channel in use when the Status is <i>G/O Active</i> or <i>Client Active</i> .
		Speed	-	-	Display the connection speed when the Status is <i>G/O Active</i> or <i>Client Active</i> .
I/F Enable	-	-	Enable or disable the Wi-Fi Direct connection.		
Web Based Mgmt	-	-	-	Enable or disable the Web Based Management function. If you enable this function, make sure you specify the method of connecting to Web Based Management.	
IPsec	-	-	-	IPsec is an optional security feature of the IP protocol that provides authentication and encryption services. We recommend contacting your network administrator before changing this setting.	
Global Detect	Allow Detect	-	-	Enable or disable a function that detects and notifies the user when the user unintentionally connects to a global network.	
	Reject Access	-	-	Disable connections to the global network.	
Network Reset	-	-	-	Restore all network settings of your machine to the factory settings.	

<sup>1</sup> On connection to the network, if the machine's 'Boot Method' is 'Auto' the machine will attempt to set the IP address and Subnet Mask from a boot server such as DHCP. If a boot server cannot be found, an APIPA IP address will be allocated, such as 169. 254. (001-254). (000-255). If the 'Boot Method' of the machine is set to 'Static' you must manually enter an IP address from the machine's control panel.



## [Print Reports]

Level 3	Level 4	Description
Printer Settings	-	Print the Printer Settings page.
Network Config (For network models)	-	Print the Network Configuration Report.
Print File List	-	Print a list of data saved in the memory.
Drum Dot Print	-	Print the Drum Dot Check Sheet.
WLAN Report (For wireless models)	-	Print the wireless connection diagnostics report.

## [Machine Info.]

Level 3	Level 4	Level 5	Description
Serial No.	-	-	Display the machine's serial number.
Firmware	Main Version	-	Check your machine's firmware version.
	Security Version		
Page Counter	-	-	Display the total number of printed pages.
Parts Life <sup>1</sup>	Toner	-	Display the remaining life of the toner cartridge.
	Drum	-	Display the remaining life of the drum unit.
	Fuser	-	Display the remaining life of the fuser unit.
	Laser Unit	-	Display the remaining life of the laser unit.
	PF Kit MP	-	Display the remaining life of the PF Kit MP.
	PF Kit 1	-	Display the remaining life of the PF Kit 1.
	PF Kit 2 <sup>2</sup>	-	Display the remaining life of the PF Kit 2.
	PF Kit 3 <sup>2</sup>	-	Display the remaining life of the PF Kit 3.
PF Kit 4 <sup>2</sup>	-	Display the remaining life of the PF Kit 4.	

<sup>1</sup> The parts life is approximate and may vary by type of use.

<sup>2</sup> Available if the Optional Tray(s) is installed.

## [Initial Setup]

Level 3	Level 4	Description
Reset	Machine Reset	Restore all the machine's settings that you have changed, such as Paper Type.
	Network Reset	Restore all network settings of your machine to the factory settings.
	Factory Reset	Reset the machine and restore the printer settings (including command settings) to the factory settings.
Local Language	-	Select the LCD language for your country.



### Related Information

- [Settings and Features Tables](#)

## Settings Tables (HL-L6410DN/HL-L6415DW)

Related Models: HL-L6410DN/HL-L6415DW

>> [Settings]  
 >> [General Setup]  
 >> [Printer]  
 >> [Network]  
 >> [Print Reports]  
 >> [Machine Information]  
 >> [Initial Setup]

### [Settings]



### [Settings]

Level 2	Level 3	Level 4	Descriptions
Toner	Toner Life	-	View the approximate remaining toner life.
	Test Print	-	Print a test page.
	Toner Cartridge Check	-	View the information of the installed toner cartridge such as whether the toner cartridge is genuine or not on the LCD.
Network	Wired LAN	-	Access the Wired LAN setting menus.
	WLAN (Wi-Fi) <sup>1</sup>	-	Access the WLAN setting menus.
Wi-Fi Direct	-	-	Access the Wi-Fi Direct setting menus.
Tray Setting	-	-	Access the tray setting menus.
Eco Mode	-	-	Turn the following machine settings on at the same time: <ul style="list-style-type: none"> <li>• 2-sided Print: Long Edge <sup>2</sup></li> <li>• Sleep Time: 0 Min</li> <li>• Dim Timer: 10 Secs</li> <li>• Quiet Mode: On <sup>2</sup></li> <li>• Toner Save: On <sup>2</sup></li> </ul>
All Settings	-	-	Configure the detailed settings.

<sup>1</sup> For certain models, the wireless network connection can be used only when the optional Wireless Module is installed.

<sup>2</sup> Changing this setting is available only after you change certain other machine settings using Web Based Management.

### [General Setup]

[All Settings] > [General Setup]

Level 3	Level 4	Level 5	Level 6	Descriptions
Tray Setting	Paper Type	MP Tray	-	Select the paper type that matches the paper in the MP tray.
		Tray 1	-	Select the paper type that matches the paper in the standard paper tray.
		Tray 2 <sup>1</sup>	-	Select the paper type that matches the paper in the Optional Tray (Tray 2).

Level 3	Level 4	Level 5	Level 6	Descriptions
Tray Setting	Paper Type	Tray 3 <sup>1</sup>	-	Select the paper type that matches the paper in the Optional Tray (Tray 3).
		Tray 4 <sup>1</sup>	-	Select the paper type that matches the paper in the Optional Tray (Tray 4).
		Tray 5 <sup>2</sup>	-	Select the paper type that matches the paper in the Optional Tray (Tray 5).
	Paper Size	MP Tray	-	Select the paper size you loaded in the MP tray.
		Tray 1	-	Select the paper size you loaded in the standard paper tray.
		Tray 2 <sup>1</sup>	-	Select the paper size you loaded in the Optional Tray (Tray 2).
		Tray 3 <sup>1</sup>	-	Select the paper size you loaded in the Optional Tray (Tray 3).
		Tray 4 <sup>1</sup>	-	Select the paper size you loaded in the Optional Tray (Tray 4).
		Tray 5 <sup>2</sup>	-	Select the paper size you loaded in the Optional Tray (Tray 5).
	Tray Use	-	-	Select the paper tray you want to use.
	Priority	-	-	When the <b>Priority</b> option is selected in the <b>Tray Use</b> menu, select the order in which the machine uses paper trays that contain paper of the same size.
	Print Position	MP Tray	<b>X Offset</b>	Adjust the print start position (usually at the top-left corner of a page) for the paper you loaded in the MP tray horizontally from -500 (left) to +500 (right) dots when printing at 300 dpi.
			<b>Y Offset</b>	Adjust the print start position (usually at the top-left corner of a page) for the paper you loaded in the MP tray vertically from -500 (up) to +500 (down) dots when printing at 300 dpi.
		Tray 1	<b>X Offset</b>	Adjust the print start position (usually at the top-left corner of a page) for the paper you loaded in the standard paper tray horizontally from -500 (left) to +500 (right) dots when printing at 300 dpi.
			<b>Y Offset</b>	Adjust the print start position (usually at the top-left corner of a page) for the paper you loaded in the standard paper tray vertically from -500 (up) to +500 (down) dots when printing at 300 dpi.
		Tray 2 <sup>1</sup>	<b>X Offset</b>	Adjust the print start position (usually at the top-left corner of a page) for the paper you loaded in the Optional tray (Tray 2) horizontally from -500 (left) to +500 (right) dots when printing at 300 dpi.
			<b>Y Offset</b>	Adjust the print start position (usually at the top-left corner of a page) for the paper you loaded in the Optional tray (Tray 2) vertically from -500 (up) to +500 (down) dots when printing at 300 dpi.
		Tray 3 <sup>1</sup>	<b>X Offset</b>	Adjust the print start position (usually at the top-left corner of a page) for the paper you loaded in the Optional tray (Tray 3) horizontally from -500 (left) to +500 (right) dots when printing at 300 dpi.
			<b>Y Offset</b>	Adjust the print start position (usually at the top-left corner of a page) for the paper you loaded in the Optional tray (Tray 3) vertically from -500 (up) to +500 (down) dots when printing at 300 dpi.

Level 3	Level 4	Level 5	Level 6	Descriptions
Tray Setting	Print Position	Tray 4 <sup>1</sup>	X Offset	Adjust the print start position (usually at the top-left corner of a page) for the paper you loaded in the Optional tray (Tray 4) horizontally from -500 (left) to +500 (right) dots when printing at 300 dpi.
			Y Offset	Adjust the print start position (usually at the top-left corner of a page) for the paper you loaded in the Optional tray (Tray 4) vertically from -500 (up) to +500 (down) dots when printing at 300 dpi.
		Tray 5 <sup>2</sup>	X Offset	Move the print start position (at the top-left corner of pages) of paper you loaded in the Optional Tray (Tray 5) horizontally from -500 (left) to +500 (right) dots in 300 dpi.
			Y Offset	Move the print start position (at the top-left corner of pages) of paper you loaded in the Optional Tray (Tray 5) vertically from -500 (up) to +500 (down) dots in 300 dpi.
	Output Tray <sup>3</sup>	-	-	Select the output tray you want to use.
	Staple <sup>4</sup> (HL-L6410DN/ HL-L6415DW)	-	-	Select whether to staple print jobs and eject the pages onto the Stapler Finisher Output Tray.
	Offset <sup>4</sup> (HL-L6410DN/ HL-L6415DW)	-	-	Select whether to shift print jobs ejected onto the Stapler Finisher Output Tray for easier collating.
	SF Continue <sup>4</sup> (HL-L6410DN/ HL-L6415DW)	-	-	Select if you want the machine to continue printing when the selected paper size or media type is not supported by the Stapler Finisher (SF).
	MX Continue <sup>5</sup>	-	-	Select if you want the machine to continue printing as soon as there is any free space in the Mailbox (MX).
	Skip Tray <sup>6</sup>	-	-	Select a specific tray you do not want to use if it is loaded with paper of the wrong size.
Separator Tray <sup>6</sup>	-	-	Select the tray that contains the paper used as the separator paper, which is inserted between each print job.	
Paper Low Notice	Paper Low Notice	Paper Low Notice	-	Select whether to display a message indicating the paper tray is nearly empty.
		Notice Level	-	Select the minimum paper level that will trigger the message.
	Check Paper	-	-	Select whether to display a message indicating to check the paper type and paper size when you pull the tray out of the machine.
Beep	-	-	-	Select the beeper sound level.
LCD Settings	Backlight	-	-	Adjust the brightness of the LCD backlight.
	Dim Timer	-	-	Set how long the LCD backlight stays on after the last finger press.
Screen Settings	Display Information	IP Address	-	Select whether to display your machine's IP Address on the Home screen.
Ecology	Eco Mode	-	-	Turn the following machine settings on at the same time: <ul style="list-style-type: none"> <li>• 2-sided Print: Long Edge <sup>7</sup></li> <li>• Sleep Time: 0 Min</li> <li>• Dim Timer: 10 Secs</li> </ul>

Level 3	Level 4	Level 5	Level 6	Descriptions
<b>Ecology</b>				<ul style="list-style-type: none"> <li>• Quiet Mode: On<sup>7</sup></li> <li>• Toner Save: On<sup>7</sup></li> </ul>
	<b>Toner Save</b>	-	-	Increase the page yield of the toner cartridge.
	<b>Sleep Time</b>	-	-	Set how much time will pass before the machine enters Power Saving mode.
	<b>Quiet Mode</b>	-	-	Decrease printing noise.
	<b>Auto Power Off</b>	-	-	Set the number of hours that the machine will remain in Deep Sleep mode before going into Power Off mode.
<b>Improve Output</b>	-	-	-	Enable the Reduce Curl feature or the Toner Fixing feature to improve print output.
<b>Setting Lock</b>	<b>Set Password</b>	-	-	Restrict unauthorised users from changing the machine's settings.
	<b>Lock Off⇒On</b>	-	-	
	<b>New Password</b> (Available only when you enter the password for the first time.)	-	-	
<b>Interface</b>	<b>Select</b>	-	-	Select the interface to use. If you select the Priority option, the machine changes the interface to USB or network depending on which interface is receiving data.
	<b>Auto IF Time</b>	-	-	Set the time-out period for the auto interface selection.
	<b>Input Buffer</b>	-	-	Increase or decrease the input buffer capacity.
<b>Delete Storage</b>	<b>Macro ID</b>	-	-	Delete the registered Macro data.
	<b>Stream ID</b>	-	-	Delete the registered Stream data.
	<b>Font ID</b>	-	-	Delete the registered Font data.
	<b>Delete All</b>	-	-	Restore the Macro, Stream and Font data of your machine to the factory settings.
	<b>Initialise USB Flash Drive</b> (Available only when the USB flash drive is selected in the Job Save Location menu.)	-	-	Initialise the USB flash drive for USB Storage Print. Initialising the USB flash drive takes more than 40 minutes. This initialisation process does not make the data completely unrecoverable.

<sup>1</sup> Available if the Optional Tray(s) is installed.

<sup>2</sup> (HL-L6210DW/HL-L6410DN/HL-L6415DW)  
Available if the Optional Tray(s) is installed.

<sup>3</sup> (HL-L6410DN/HL-L6415DW )  
Available if the Mail Box or Stapler Finisher is installed.

<sup>4</sup> Available if the Stapler Finisher is installed.

<sup>5</sup> (HL-L6410DN/HL-L6415DW )  
Available if the Mail Box is installed.

<sup>6</sup> Available if the Lower Tray(s) is installed.

<sup>7</sup> Changing this setting is available only after you change certain other machine settings using Web Based Management.

[Printer]

[All Settings] > [Printer]

Level 3	Level 4	Level 5	Descriptions
Emulation	-	-	Choose the emulation mode.
Resolution	-	-	Select a print resolution. Select the print quality.
Density	-	-	Increase or decrease the print density.
Print Settings	-	-	Set your print settings to Text or Graphics.
Print Options	Font List	HP LaserJet	Print the font list and samples of HP LaserJet.
		BR-Script 3	Print the font list and samples of BR-Script.
	Test Print	-	Print the test page.
2-sided	2-sided Print	-	Select whether to print on both sides of the paper.
	Single Image	-	For a print job where the last page is a one-sided image, select the 1-sided Feed option to reduce printing time.  When you use letterhead or preprinted paper, you must select the 2-sided Feed option. If you select 1-sided Feed for letterhead or preprinted paper, the last page will be printed on the reverse side.
Auto Continue	-	-	Select if you want the machine to clear paper size errors or media type errors automatically, and use paper from other trays.
Paper Type	-	-	Set the type of paper.
Paper Size	-	-	Set the paper size.
Copies	-	-	Set the number of printed pages.
Orientation	-	-	Set pages to print in either portrait or landscape orientation.
Print Position	-	-	Access the Print Position setting menus.
Auto FF	-	-	Allow the machine to print any remaining data automatically.
HP LaserJet	Font No.	Font No.	Set the font number.  This menu appears if a soft font is installed on your Brother machine.
		Soft Font No.	Set the soft font number.  This menu appears if a soft font is installed on your Brother machine.
	Font Pitch	-	Set the font pitch. (Available only for certain fonts.)
	Font Point	-	Set the font size. (Available only for certain fonts.)
	Symbol Set	-	Select the symbol or character set.
	Table Print	-	Print the code table.
	Auto LF	-	ON: CR -> CR+LF, OFF: CR -> CR
	Auto CR	-	ON: LF -> LF+CR, FF -> FF+CR, or VT -> VT+CR OFF: LF -> LF, FF -> FF, or VT -> VT
Auto WRAP	-	Select whether you want a line feed and carriage return when the carriage position reaches the right margin.	

Level 3	Level 4	Level 5	Descriptions
HP LaserJet	Auto SKIP	-	Select whether you want a line feed and carriage return when the carriage position reaches the bottom margin.
	Left Margin	-	Set the left margin at column 0 to 70 columns at 1 cpi.
	Right Margin	-	Set the right margin at column 10 to 80 columns at 1 cpi.
	Top Margin	-	Set the top margin distance from the top edge of the paper.
	Bottom Margin	-	Set the bottom margin distance from the bottom edge of the paper.
	Lines	-	Set the number of lines on each page.
	Tray Command	-	Select this setting if a tray mismatch appears when you use the HP drivers.
Epson FX-850	Font No.	-	Set the font number.
	Font Pitch	-	Set the font pitch. (Available only for certain fonts.)
	Font Point	-	Set the font size. (Available only for certain fonts.)
	Character Set	-	Select the symbol or character set.
	Table Print	-	Print the code table.
	Auto LF	-	ON: CR -> CR+LF, OFF: CR -> CR
	Auto Mask	-	Set the top and bottom margins to two lines each. When you set Auto Mask to On, this setting overrides the Top Margin and Bottom Margin settings.
	Left Margin	-	Set the left margin at column 0 to 70 columns at 1 cpi.
	Right Margin	-	Set the right margin at column 10 to 80 columns at 1 cpi.
	Top Margin	-	Set the top margin distance from the top edge of the paper.
	Bottom Margin	-	Set the bottom margin distance from the bottom edge of the paper.
	Lines	-	Set the number of lines on each page.
IBM Proprinter	Font No.	-	Set the font number.
	Font Pitch	-	Set the font pitch. (Available only for certain fonts.)
	Font Point	-	Set the font size. (Available only for certain fonts.)
	Character Set	-	Select the symbol or character set.
	Table Print	-	Print the code table.
	Auto LF	-	ON: CR -> CR+LF, OFF: CR -> CR
	Auto CR	-	ON: LF -> LF+CR, FF -> FF+CR, or VT -> VT+CR OFF: LF -> LF, FF -> FF, or VT -> VT
	Auto Mask	-	Set the top and bottom margins to two lines each. When you set Auto Mask to On, this setting overrides the Top Margin and Bottom Margin settings.
	Left Margin	-	Set the left margin at column 0 to 70 columns at 1 cpi.
	Right Margin	-	Set the right margin at column 10 to 80 columns at 1 cpi.
	Top Margin	-	Set the top margin distance from the top edge of the paper.

Level 3	Level 4	Level 5	Descriptions
IBM Proprinter	Bottom Margin	-	Set the bottom margin distance from the bottom edge of the paper.
	Lines	-	Set the number of lines on each page.
BR-Script 3	Error Print	-	Choose whether the machine prints the error information when errors occur.
PDF	Multiple Page	-	Set the page layout when printing multiple pages.
	PDF Print Options	-	Set the PDF Print setting to print either comments (Markup) or stamps in the PDF file, along with the text.
	PDF Fit to Page	-	Select if the machine scales or resizes the pages in the PDF file to fit the selected paper size.
Carbon Menu	Carbon Copy	-	Enable or disable the Carbon Copy function.
	Copies	-	Sets the number of printed pages.
	Copy1 Tray	-	Select the tray you use for Copy1.
	Copy1 Macro	-	Select a macro/stream for Copy1.
	Copy2 Tray ... Copy8 Tray	-	Select the tray you use for Copy2 to Copy8.
	Copy2 Macro ... Copy8 Macro	-	Select a macro/stream for Copy2 to Copy8.
Job Save Location	-	-	Select the location where you want to save print jobs.
Reset Printer	-	-	Restore the machine settings to the factory settings.

## [Network]

[All Settings] > [Network]

Level 3	Level 4	Level 5	Level 6	Descriptions
Wired LAN	TCP/IP	Boot Method	-	Choose the IP method that best suits your needs.
		IP Address	-	Enter the IP address.
		Subnet Mask	-	Enter the Subnet mask.
		Gateway	-	Enter the Gateway address.
		Node Name	-	Enter the Node name.
		WINS Configuration	-	Select the WINS configuration mode.
		WINS Server	Primary	Specify the IP address of the primary WINS server.
			Secondary	Specify the IP address of the secondary WINS server.
		DNS Server	Primary	Specify the primary DNS server's IP address.
			Secondary	Specify the secondary DNS server's IP address.
APIPA	-	Allocate the IP address from the link-local address range automatically. <sup>1</sup>		
IPv6	-	Enable or disable the IPv6 protocol.		



Level 3	Level 4	Level 5	Level 6	Descriptions
Wired LAN	Ethernet	-	-	Choose the Ethernet link mode.
	Wired Status	-	-	Display the wired network connection status.
	MAC Address	-	-	Display your machine's MAC address.
	Set to Default <sup>2</sup>	-	-	Restore your machine's wired network settings to the factory settings.
	Wired Enable <sup>2</sup>	-	-	Turn the wired interface on or off.
WLAN (Wi-Fi) <sup>2</sup>	Find Wi-Fi Network	-	-	Configure your wireless network settings manually.
	TCP/IP	Boot Method	-	Choose the IP method that best suits your needs.
		IP Address	-	Enter the IP address.
		Subnet Mask	-	Enter the Subnet mask.
		Gateway	-	Enter the Gateway address.
		Node Name	-	Enter the Node name.
		WINS Configuration	-	Select the WINS configuration mode.
		WINS Server	Primary	Specify the IP address of the primary WINS server.
			Secondary	Specify the IP address of the secondary WINS server.
		DNS Server	Primary	Specify the primary DNS server's IP address.
			Secondary	Specify the secondary DNS server's IP address.
	APIPA	-	Allocate the IP address from the link-local address range automatically. <sup>1</sup>	
	IPv6	-	Enable or disable the IPv6 protocol.	
	WPS/Push Button	-	-	Configure your wireless network settings using the one-button push method.
	WPS/PIN Code	-	-	Configure the wireless network settings using WPS with a PIN code.
	WLAN Status	Status	-	Display the wireless network connection status.
		Signal	-	Display the wireless network signal strength.
		SSID	-	Display the wireless SSID (Network Name).
		Comm. Mode	-	Display the current Communication mode.
	MAC Address	-	-	Display your machine's MAC address.
Set to Default	-	-	Restore your machine's wireless network settings to the factory settings.	

Level 3	Level 4	Level 5	Level 6	Descriptions	
WLAN (Wi-Fi) <sup>2</sup>	WLAN Enable	-	-	Turn the wireless interface on or off.	
Wi-Fi Direct <sup>2</sup>	Manual	-	-	Configure your Wi-Fi Direct network settings manually.	
	Group Owner	-	-	Set your machine as the Group Owner.	
	Push Button	-	-	Configure your Wi-Fi Direct network settings using the one-button push method quickly.	
	PIN Code	-	-	Configure your Wi-Fi Direct network settings using WPS with a PIN code quickly.	
	Device Information	Device Name	-	-	View your machine's device name.
		SSID	-	-	Display the Group Owner's SSID (Network Name).
		IP Address	-	-	Display your machine's IP Address.
	Status Information	Status	-	-	Display the Wi-Fi Direct network status.
Signal		-	-	Display the current Wi-Fi Direct network signal strength.	
I/F Enable	-	-	-	Enable or disable the Wi-Fi Direct connection.	
NFC	-	-	-	Turn the NFC function on or off.	
Web Connect Settings	Proxy Settings	Proxy Connection	-	Change the web connection settings.	
		Address	-		
		Port	-		
		User Name	-		
		Password	-		
Web Based Mgmt	-	-	-	Enable or disable the Web Based Management function. If you enable this function, make sure you specify the method of connecting to Web Based Management.	
IPsec	-	-	-	IPsec is an optional security feature of the IP protocol that provides authentication and encryption services. We recommend contacting your network administrator before changing this setting.	
Global Detect	Allow Detect	-	-	Enable or disable a function that detects and notifies the user when the user unintentionally connects to a global network.	
	Reject Access	-	-	Disable connections to the global network.	
Network Reset	-	-	-	Restore all network settings of your machine to the factory settings.	

<sup>1</sup> On connection to the network, if the machine's 'Boot Method' is 'Auto' the machine will attempt to set the IP address and Subnet Mask from a boot server such as DHCP. If a boot server cannot be found, an APIPA IP address will be allocated, such as 169. 254. (001-254). (000-255). If the 'Boot Method' of the machine is set to 'Static' you must manually enter an IP address from the machine's control panel.

2 For certain models, the wireless network connection can be used only when the optional Wireless Module is installed.

## [Print Reports]

[All Settings] > [Print Reports]

Level 3	Descriptions
Printer Settings	Print the Printer Settings page.
Network Configuration	Print the Network Configuration Report.
Print File List	Print a list of data saved in the memory.
Drum Dot Print	Print the Drum Dot Check Sheet.
WLAN Report	Print the wireless connection diagnostics report.

## [Machine Information]

[All Settings] > [Machine Information]

Level 3	Level 4	Descriptions
Serial No.	-	Display the machine's serial number.
Firmware Version	Main Version	Check your machine's firmware version.
	Security Version	
Firmware Update	-	Update your machine's firmware to the latest version.
Firmware Auto Check	-	View firmware information on the Home screen.
Page Counter	-	Display the total number of printed pages.
Parts Life <sup>1</sup>	Drum	Display the remaining life of the drum unit.
	Fuser	Display the remaining life of the fuser unit.
	Laser	Display the remaining life of the laser unit.
	PF Kit MP	Display the remaining life of the PF Kit MP.
	PF Kit 1	Display the remaining life of the PF Kit 1.
	PF Kit 2 <sup>2</sup>	Display the remaining life of the PF Kit 2.
	PF Kit 3 <sup>2</sup>	Display the remaining life of the PF Kit 3.
	PF Kit 4 <sup>2</sup>	Display the remaining life of the PF Kit 4.
PF Kit 5 <sup>2,3</sup>	Display the remaining life of the PF Kit 5.	

<sup>1</sup> The parts life is approximate and may vary by type of use.

<sup>2</sup> Available if the Optional Tray(s) is installed.

<sup>3</sup> Supported models only.

## [Initial Setup]

[All Settings] > [Initial Setup]

Level 3	Level 4	Descriptions
Reset	Machine Reset	Restore all the machine's settings that you have changed, such as Paper Type.
	Network Reset	Restore all network settings of your machine to the factory settings.
	Factory Reset	Reset the machine and restore the printer settings (including command settings) to the factory settings.
Local Language	-	Select the LCD language for your country.



---

## Related Information

---

- [Settings and Features Tables](#)
-


## Feature Tables (HL-L6410DN/HL-L6415DW)

Related Models: HL-L6410DN/HL-L6415DW

- >> [Toner](#)
- >> [Wi-Fi Setup](#)
- >> [\[Web\]](#)
- >> [\[Secure Print\]](#)


### Toner

#### (Toner)

Level 2	Level 3	Level 4	Descriptions
 (Toner)	<b>Toner Life</b>	-	View the approximate remaining toner life.
	<b>Test Print</b>	-	Print the test page.
	<b>Toner Cartridge Check</b>	-	View the information of the installed toner cartridge such as whether the toner cartridge is genuine or not on the LCD.

### Wi-Fi Setup

#### (Wi-Fi Setup)

Level 2	Level 3	Descriptions
 (Wi-Fi Setup)	<b>Find Wi-Fi Network</b>	Configure your wireless network settings manually.
	<b>WPS/Push Button</b>	Configure your wireless network settings using the one-button push method.
	<b>WPS/PIN Code</b> <sup>1</sup>	Configure the wireless network settings using WPS with a PIN code.
	<b>WLAN Status</b> <sup>1</sup>	Display the wireless network connection status.
	<b>MAC Address</b> <sup>1</sup>	Display your machine's MAC address.
	<b>Set to Default</b> <sup>1</sup>	Restore your machine's wireless network settings to the factory settings.
	<b>WLAN Enable</b> <sup>1</sup>	Turn the wireless interface on or off.
	<b>TCP/IP</b> <sup>1</sup>	Change the TCP/IP settings.

<sup>1</sup> Available after a Wi-Fi® connection has been configured.

## NOTE

For certain models, the wireless network connection can be used only when the optional Wireless Module is installed.

---

## [Web]



### [Web]

Level 2	Descriptions
Web	Connect the Brother machine to an Internet service. Web services may have been added and service names may have been changed by the provider since this document was published.

## [Secure Print]



### [Secure Print]

Level 2	Descriptions
Secure Print	You can print data saved in the machine's memory or USB flash drive when you enter your four-digit password. Active only when the machine or USB flash drive has secure print data.



## Related Information

- [Settings and Features Tables](#)
-

## Change Machine Settings Using Web Based Management

**Related Models:** HL-L6210DW/HL-L6410DN/HL-L6415DW

Web Based Management is a utility that uses a standard web browser to manage your machine using the Hyper Text Transfer Protocol (HTTP) or Hyper Text Transfer Protocol over Secure Socket Layer (HTTPS).

- [What is Web Based Management?](#)
- [Access Web Based Management](#)
- [Set or Change a Login Password for Web Based Management](#)

## What is Web Based Management?

**Related Models:** HL-L6210DW/HL-L6410DN/HL-L6415DW

Web Based Management is a utility that uses a standard web browser to manage your machine using the Hyper Text Transfer Protocol (HTTP) or Hyper Text Transfer Protocol over Secure Socket Layer (HTTPS).



- We recommend using the latest version of the following web browsers:
  - Microsoft Edge, Firefox, and Google Chrome™ for Windows
  - Safari, Firefox, and Google Chrome™ for Mac
  - Google Chrome™ for Android™
  - Safari and Google Chrome™ for iOS
- Ensure that JavaScript and Cookies are always enabled, regardless of which browser you use.
- Make sure your machine is On and connected to the same network as your computer, and that your network supports the TCP/IP protocol.

XXX-XXXX series brother

Login

[Trouble logging in?>>>](#)

This machine's default password is on the back of the machine and marked "Pwd". We recommend changing it immediately.

Home

Status

Auto Refresh Interval

### Status

#### Device Status

Sleep

Automatic Refresh

Off  
 On

#### Toner Level

BK

Copyright(C) 2000-2021 Brother Industries, Ltd. All Rights Reserved.

The actual screen may differ from the screen shown above.



### Related Information

- [Change Machine Settings Using Web Based Management](#)



## Access Web Based Management

**Related Models:** HL-L6210DW/HL-L6410DN/HL-L6415DW

- We recommend using the latest version of the following web browsers:
  - Microsoft Edge, Firefox, and Google Chrome™ for Windows
  - Safari, Firefox, and Google Chrome™ for Mac
  - Google Chrome™ for Android™
  - Safari and Google Chrome™ for iOS
- Ensure that JavaScript and Cookies are always enabled, regardless of which browser you use.
- HL-L5210DN/HL-L5210DW/HL-L6210DW/HL-L6410DN/HL-L6415DW:  
We recommend using the HTTPS security protocol when configuring settings using Web Based Management.
- HL-L5210DN/HL-L5210DW/HL-L6210DW/HL-L6410DN/HL-L6415DW:  
When you use HTTPS for Web Based Management configuration, your browser will display a warning dialog box. To avoid displaying the warning dialog box, you can install a self-signed certificate to use SSL/TLS communication. For more information, see *Related Information*.
- The default password to manage this machine's settings is located on the back of the machine and marked "Pwd". We recommend immediately changing the default password to protect your machine from unauthorised access.  
  
You can also find the default password in the Network Configuration Report.

>> [Access Web Based Management from your Web Browser](#)

>> [Access Web Based Management from Brother iPrint&Scan \(Windows/Mac\)](#)

>> [Access Web Based Management from Brother Utilities \(Windows\)](#)

### Access Web Based Management from your Web Browser

1. Start your web browser.
2. Type "https://machine's IP address" in your browser's address bar (where "machine's IP address" is your machine's IP address).

For example:

https://192.168.1.2



- If you are using a Domain Name System or enable a NetBIOS name, you can type another name, such as "SharedPrinter" instead of the IP address.

For example: https://SharedPrinter

- If you enable a NetBIOS name, you can also use the node name.  
For example: https://brn123456abcdef
- The NetBIOS name can be found in the Network Configuration Report.

3. If required, type the password in the **Login** field, and then click **Login**.





The default password to manage this machine's settings is located on the back of the machine and marked "Pwd".

4. If you want to pin the navigation menu on the left side of the screen, click ☰ and then click 🗖.



You can now change the machine's settings.

## Access Web Based Management from Brother iPrint&Scan (Windows/Mac)

1. Start Brother iPrint&Scan.
  - Windows  
Launch  (Brother iPrint&Scan).
  - Mac  
In the **Finder** menu bar, click **Go > Applications**, and then double-click the iPrint&Scan icon.  
The Brother iPrint&Scan screen appears.
2. If your Brother machine is not selected, click the **Select your Machine** button, and then select your model name from the list. Click **OK**.
3. Click  (**Machine Settings**).
4. Click **All Settings**.  
The Web Based Management page appears.
5. If required, type the password in the **Login** field, and then click **Login**.



The default password to manage this machine's settings is located on the back of the machine and marked "Pwd".


6. If you want to pin the navigation menu on the left side of the screen, click  and then click .

You can now change the machine's settings.





You can also access Web Based Management from Brother Mobile Connect for mobile devices.

## Access Web Based Management from Brother Utilities (Windows)

1. Launch  (**Brother Utilities**), and then click the drop-down list and select your model name (if not already selected).
2. Click **Tools** in the left navigation bar, and then click **Machine Settings**.  
The Web Based Management page appears.
3. If required, type the password in the **Login** field, and then click **Login**.



The default password to manage this machine's settings is located on the back of the machine and marked "Pwd".

4. If you want to pin the navigation menu on the left side of the screen, click  and then click .

You can now change the machine's settings.

If you change the protocol settings, you must restart the machine after clicking **Submit** to activate the configuration.

After configuring the settings, click **Logout**.

### Related Information

- [Change Machine Settings Using Web Based Management](#)

#### Related Topics:

- [Print the Network Configuration Report](#)
- [Use SSL/TLS](#)
- [Create a Self-signed Certificate](#)
- [Install the Self-signed Certificate for Windows Users as Administrators](#)

## Set or Change a Login Password for Web Based Management

The default password to manage this machine's settings is located on the back of the machine and marked "Pwd". We recommend immediately changing the default password to protect your machine from unauthorised access.

1. Start your web browser.
2. Type "https://machine's IP address" in your browser's address bar (where "machine's IP address" is your machine's IP address).

For example:

https://192.168.1.2



- If you are using a Domain Name System or enable a NetBIOS name, you can type another name, such as "SharedPrinter" instead of the IP address.

For example: https://SharedPrinter

- If you enable a NetBIOS name, you can also use the node name.


For example: https://brn123456abcdef

- The NetBIOS name can be found in the Network Configuration Report.

3. Do one of the following:
  - If you have previously set your own password, type it, and then click **Login**.
  - If you have not previously set your own password, type the default login password, and then click **Login**.
4. Go to the navigation menu, and then click **Administrator > Login Password**.



- The default password to manage this machine's settings is located on the back of the machine and marked "**Pwd**".

- Start from , if the navigation menu is not shown on the left side of the screen.

5. To change the password, type your current password in the **Enter Old Password** field.
6. Following the on-screen **Login Password** guidelines, type your new password in the **Enter New Password** field.
7. Retype the new password in the **Confirm New Password** field.
8. Click **Submit**.



You can also change the lockout settings in the **Login Password** menu.



### Related Information

- [Change Machine Settings Using Web Based Management](#)

## Appendix

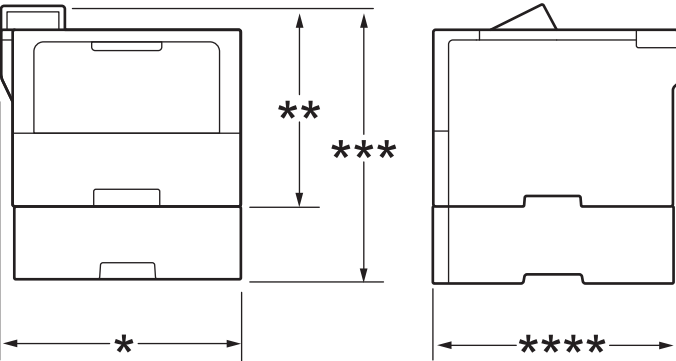
- [Specifications](#)
- [Supplies](#)
- [Accessories](#)
- [Brother Help and Customer Support](#)

## Specifications

- >> General Specifications
- >> Print Media Specifications
- >> Printer Specifications
- >> Interface Specifications
- >> Supported Protocols and Security Features
- >> Computer Requirements Specifications

### General Specifications

<b>Printer Type</b>		Laser
<b>Print Method</b>		Electrophotographic Laser Printer
<b>Memory Capacity</b>	<b>Standard</b>	<p>For Australia and New Zealand</p> <ul style="list-style-type: none"> <li>• (HL-L5210DN/HL-L5210DW/HL-L6210DW) 256 MB</li> <li>• (HL-L6415DW) 1 GB</li> </ul> <p>For Middle Eastern and African countries</p> <ul style="list-style-type: none"> <li>• (HL-L5210DN/HL-L5210DW) 512 MB</li> <li>• (HL-L6210DW/HL-L6410DN) 1 GB</li> </ul> <p>For other countries</p> <ul style="list-style-type: none"> <li>• (HL-L5210DN/HL-L5210DW) For Korea and Taiwan 512 MB</li> <li>• (HL-L5210DN/HL-L5210DW/HL-L6210DW) Except for Korea and Taiwan 1 GB</li> <li>• (HL-L6415DW) For Korea and Taiwan 1 GB</li> <li>• (HL-L6415DW) Except for Korea and Taiwan 2 GB</li> </ul>
<b>Machine display</b>		<ul style="list-style-type: none"> <li>• (HL-L5210DN/HL-L5210DW/HL-L6210DW) 16 characters x 1 line</li> <li>• (HL-L6410DN/HL-L6415DW) 3.5 in. TFT Colour touchscreen LCD <sup>1</sup> Touchscreen 72.5 x 68.7 mm</li> </ul>
<b>Power Source</b>		<p>For Taiwan 110 V to 120 V AC 50/60 Hz</p> <p>Except for Taiwan 220 V to 240 V AC 50/60 Hz</p>
<b>Power Consumption</b> (Average)	<b>Peak</b>	Approximately 1,280 W
	<b>Printing</b> <sup>2</sup>	<p>For Taiwan</p> <ul style="list-style-type: none"> <li>• (HL-L5210DN) Approximately 680 W at 25°C</li> <li>• (HL-L6415DW)</li> </ul>

<b>Power Consumption</b> (Average)		Approximately 720 W at 25°C Except for Taiwan <ul style="list-style-type: none"> <li>(HL-L5210DN/HL-L5210DW) Approximately 670 W at 25°C</li> <li>(HL-L6210DW/HL-L6410DN/HL-L6415DW) Approximately 710 W at 25°C</li> </ul>
	<b>Printing</b> <b>(Quiet Mode)</b> <sup>2</sup>	For Taiwan Approximately 460 W at 25°C Except for Taiwan Approximately 430 W at 25°C
	<b>Ready</b> <sup>2</sup>	Approximately 31 W at 25°C
	<b>Sleep</b> <sup>2</sup>	For Taiwan <ul style="list-style-type: none"> <li>(HL-L5210DN) Approximately 5.3 W</li> <li>(HL-L6415DW) Approximately 5.8 W</li> </ul> Except for Taiwan <ul style="list-style-type: none"> <li>(HL-L5210DN/HL-L5210DW/HL-L6210DW) Approximately 5.5 W</li> <li>(HL-L6410DN/HL-L6415DW) Approximately 5.9 W</li> </ul>
	<b>Deep Sleep</b> <sup>2</sup>	<ul style="list-style-type: none"> <li>(HL-L5210DN/HL-L5210DW/HL-L6210DW) Approximately 0.5 W</li> <li>(HL-L6410DN/HL-L6415DW) Approximately 0.6 W</li> </ul>
	<b>Power Off</b> <sup>3 4</sup>	For Taiwan Approximately 0.04 W Except for Taiwan Approximately 0.05 W
<b>Dimensions</b> (Typical outline view)		Unit: mm <ul style="list-style-type: none"> <li>(HL-L5210DN/HL-L5210DW) * : 373 ** : 257 **** : 388</li> <li>(HL-L6210DW) * : 373 ** : 289 **** : 388</li> <li>(HL-L6410DN/HL-L6415DW) * : 402 ** : 319 **** : 396</li> </ul>
<b>Weight (with supplies)</b>	For Australia and New Zealand <ul style="list-style-type: none"> <li>(HL-L5210DN/HL-L5210DW) 11.0 kg</li> <li>(HL-L6210DW) 12.3 kg</li> <li>(HL-L6415DW) 13.2 kg</li> </ul>	

			For other countries <ul style="list-style-type: none"> <li>• (HL-L5210DN/HL-L5210DW) 11.4 kg</li> <li>• (HL-L6210DW) 12.7 kg</li> <li>• (HL-L6410DN/HL-L6415DW) 13.9 kg</li> </ul>
<b>Noise Level</b>	<b>Sound Pressure</b> <sup>5</sup>	<b>Printing</b>	LpAm = 54 dB (A)
		<b>Printing (Quiet Mode)</b>	LpAm = 50 dB (A)
		<b>Ready</b>	LpAm = Up to 35 dB (A)
	<b>Sound Power</b>	<b>Printing</b> <sup>5</sup>	(HL-L5210DN/HL-L5210DW) LWAc = 7.06 B (A) (HL-L6210DW/HL-L6410DN/HL-L6415DW) LWAc = 7.07 B (A)
		<b>Printing (Quiet Mode)</b>	LWAc = 6.54 B (A)
		<b>Ready</b>	LWAc = Up to 4.9 B (A)
<b>Temperature</b>	<b>Operating</b>	From 10°C to 32.5°C	
	<b>Storage</b>	From 0°C to 40°C	
<b>Humidity</b>	<b>Operating</b>	20% to 80% (without condensation)	
	<b>Storage</b>	35% to 85% (without condensation)	

1 Measured diagonally.

2 Measured when the machine is connected using the same network connection as the ENERGY STAR Ver. 3.1 test method.

3 Measured according to IEC 62301 Edition 2.0.

4 Power consumption varies slightly depending on the usage environment.

5 Measured in accordance with the method described in ISO 7779.

## Print Media Specifications

<b>Paper Input</b>	<b>Paper Tray (Standard)</b>	<b>Paper Type</b>	Plain Paper, Letterhead, Coloured Paper, Thin Paper, Recycled Paper, Thick Paper
		<b>Paper Size</b>	A4, Letter, B5 (JIS), A5, A5 (Long Edge), A6, Executive, Legal, Mexico Legal, India Legal, Folio, 16K (195x270 mm), A4 Short (270mm Paper)
		<b>Paper Weight</b>	60 to 163 g/m <sup>2</sup> <sup>1</sup>
		<b>Maximum Paper Capacity</b>	<ul style="list-style-type: none"> <li>• (HL-L5210DN/HL-L5210DW) Up to 250 sheets of 80 g/m<sup>2</sup> Plain Paper</li> <li>• (HL-L6210DW/HL-L6410DN/HL-L6415DW) Up to 520 sheets of 80 g/m<sup>2</sup> Plain Paper</li> </ul>
	<b>Multi-purpose Tray (MP Tray)</b>	<b>Paper Type</b>	Plain Paper, Letterhead, Coloured Paper, Thin Paper, Thick Paper, Thicker Paper, Recycled Paper, Bond, Label, Envelope, Env.Thin, Env.Thick
		<b>Paper Size</b>	<ul style="list-style-type: none"> <li>• Width: 69.8 to 215.9 mm</li> <li>• Length: 127 to 355.6 mm</li> <li>• Envelope: COM-10, DL, C5, Monarch</li> </ul>

<b>Paper Input</b>	<b>Multi-purpose Tray (MP Tray)</b>	<b>Paper Weight</b>	60 to 230 g/m <sup>2</sup> <sup>1</sup>	
		<b>Maximum Paper Capacity</b>	<ul style="list-style-type: none"> <li>Up to 100 Sheets of 80 g/m<sup>2</sup> Plain Paper</li> <li>Envelope: Up to 11 mm thick</li> </ul>	
	<b>Paper Tray 2, 3, 4 (Optional) <sup>2</sup></b>	<b>Paper Type</b>	Plain Paper, Letterhead, Coloured Paper, Thin Paper, Recycled Paper, Thick Paper	
		<b>Paper Size</b>	A4, Letter, B5 (JIS), A5, Executive, Legal, Mexico Legal, India Legal, Folio, 16K (195x270 mm), A4 Short (270mm Paper)	
		<b>Paper Weight</b>	60 to 120 g/m <sup>2</sup> <sup>1</sup>	
		<b>Maximum Paper Capacity</b>	<ul style="list-style-type: none"> <li>LT-5505 Up to 250 sheets of 80 g/m<sup>2</sup> Plain Paper</li> <li>LT-6505 Up to 520 sheets of 80 g/m<sup>2</sup> Plain Paper</li> </ul>	
<b>Paper Output <sup>3</sup></b>	<b>Face Down Output Tray</b>		<ul style="list-style-type: none"> <li>(HL-L5210DN/HL-L5210DW/HL-L6210DW) Up to 150 sheets of 80 g/m<sup>2</sup> Plain Paper (face-down delivery to the face-down output paper tray)</li> <li>(HL-L6410DN/HL-L6415DW) Up to 250 Sheets of 80 g/m<sup>2</sup> Plain Paper (face down delivery to the face down output paper tray)</li> </ul>	
	<b>Face Up Output Tray</b>		<ul style="list-style-type: none"> <li>(HL-L5210DN/HL-L5210DW/HL-L6210DW) One sheet (face up delivery to the face up output tray)</li> <li>(HL-L6410DN/HL-L6415DW) Up to 10 sheets (face up delivery to the face up output tray)</li> </ul>	
	<b>Mailbox (Optional)</b>		(HL-L6410DN/HL-L6415DW) 100 sheets x 4 bins of 80 g/m <sup>2</sup> 400 sheets x 2 bins of 80 g/m <sup>2</sup>	
<b>2-sided</b>	<b>Automatic 2-sided Printing</b>	<b>Paper Type</b>	Plain Paper, Letterhead, Coloured Paper, Thin Paper, Recycled Paper	
		<b>Paper Size</b>	For Australia, Korea, and New Zealand A4 For other countries Select the paper size you want to use by sliding the 2-sided lever: <ul style="list-style-type: none"> <li>A4</li> <li>Letter, Legal, Folio, Mexico Legal, India Legal</li> </ul>	
		<b>Paper Weight</b>	60 to 105 g/m <sup>2</sup>	

<sup>1</sup> For paper of 105 g/m<sup>2</sup> and above, open the back cover to use the face up output tray.

<sup>2</sup> (HL-L5210DN/HL-L5210DW) Maximum number of Lower Trays: Up to two Lower Trays in any combination.

(HL-L6210DW/HL-L6410DN/HL-L6415DW) Maximum number of Lower Trays: Up to three LT-5505 Lower Trays or up to two Lower Trays in any combination.

<sup>3</sup> For labels, we recommend removing the printed sheets from the output paper tray immediately after they exit the machine to avoid the possibility of smudging.

## Printer Specifications

<b>Automatic 2-sided Print</b>	Yes
<b>Emulation</b>	PCL6, BR-Script3, IBM Proprinter XL, Epson FX-850, PDF version 1.7, XPS version 1.0
<b>Resolution</b>	Up to 1200 x 1200 dpi



<b>Print Speed</b> <sup>1</sup>	<b>1-sided Print</b> <sup>2 3</sup>	<ul style="list-style-type: none"> <li>(HL-L5210DN/HL-L5210DW) Up to 50 pages/minute (Letter size) Up to 48 pages/minute (A4 size)</li> <li>(HL-L6210DW/HL-L6410DN/HL-L6415DW) Up to 52 pages/minute (Letter size) Up to 50 pages/minute (A4 size)</li> </ul>
	<b>2-sided Print</b>	Up to 24 sides/minute (Up to 12 sheets/minute) (Letter size) Up to 24 sides/minute (Up to 12 sheets/minute) (A4 size)
<b>First Print Time</b> <sup>4 5 6</sup>		Less than 6.7 seconds at 23°C

<sup>1</sup> The print speed may be slower when the machine is connected by wireless LAN.

<sup>2</sup> The print speeds of "1-sided Print" were measured in accordance with ISO/IEC 24734.

<sup>3</sup> This speed is based on 1-sided printing. If your model's default print setting is "2-sided", change to "1-sided" for these results.

<sup>4</sup> Printing from Ready mode and standard tray.

<sup>5</sup> Length of time from when the machine is started until paper output is complete (except when the machine is turned on or when an error is fixed)

<sup>6</sup> This applies when printing on A4- or Letter-size paper from the standard tray. It could be longer however, depending on the paper size and the amount of print data.

## Interface Specifications

<b>USB</b>	<ul style="list-style-type: none"> <li>Type: USB Type-B receptacle Version: USB 2.0 High-Speed <sup>1 2</sup> Use a USB 2.0 interface cable that is no more than 2 metres long.</li> <li>(HL-L6410DN/HL-L6415DW) Type: USB Type-A receptacle <sup>3</sup> Version: USB 2.0 High-Speed Connect a USB flash drive for USB Storage Print.</li> </ul>
<b>LAN</b>	10Base-T/100Base-TX/1000Base-T <sup>4</sup>
<b>Wireless LAN</b> <sup>5</sup>	(HL-L5210DW/HL-L6210DW/HL-L6410DN/HL-L6415DW) (For Middle Eastern and African countries, Bangladesh, Nepal and Pakistan) IEEE 802.11b/g/n (Infrastructure) IEEE 802.11g/n (Wi-Fi Direct) (For other countries) IEEE 802.11a/b/g/n (Infrastructure Mode) IEEE 802.11a/g/n (Wi-Fi Direct <sup>®</sup> )
<b>NFC</b> <sup>6</sup>	(HL-L6410DN/HL-L6415DW) Yes

<sup>1</sup> Your machine has a USB 2.0 Hi-Speed interface. The machine can also be connected to a computer that has a USB 1.1 interface.

<sup>2</sup> Third party USB hub devices are not supported.

<sup>3</sup> USB host port

<sup>4</sup> Use a Category 5e (or greater) network cable.

<sup>5</sup> (HL-L6410DN) The wireless network connection can be used only when the optional Wireless Module is installed.

<sup>6</sup> When you connect an external IC card reader, use a HID class driver supported device.

## Supported Protocols and Security Features

Supported protocols and security features may differ depending the models.

### Ethernet

10Base-T/100Base-TX/1000Base-T

## Protocols (IPv4)

ARP, RARP, BOOTP, DHCP, APIPA (Auto IP), WINS/NetBIOS name resolution, DNS Resolver, mDNS, LLMNR responder, LPR/LPD, Custom Raw Port/Port9100, IPP/IPPS, FTP Server, TELNET Server, HTTP/HTTPS server, TFTP client and server, SMTP Client, SNMPv1/v2c/v3, ICMP, Web Services (Print), CIFS client, SNTP client, Syslog

## Protocols (IPv6)

NDP, RA, DNS resolver, mDNS, LLMNR responder, LPR/LPD, Custom Raw Port/Port9100, IPP/IPPS, FTP Server, TELNET Server, HTTP/HTTPS server, TFTP client and server, SMTP Client, SNMPv1/v2c/v3, ICMPv6, Web Services (Print), CIFS Client, SNTP Client, Syslog

## Network Security (Wired)

SMTP-AUTH, SSL/TLS (IPP, HTTP, SMTP), SNMP v3, 802.1x (EAP-MD5, EAP-FAST, PEAP, EAP-TLS, EAP-TTLS), Kerberos, IPsec

## Network Security (Wireless)

SMTP-AUTH, SSL/TLS (IPP, HTTP, SMTP), SNMP v3, 802.1x (EAP-FAST, PEAP, EAP-TLS, EAP-TTLS), Kerberos, IPsec

## Wireless Network Security

WEP 64/128 bit, WPA-PSK (TKIP/AES), WPA2-PSK (TKIP/AES) (Wi-Fi Direct supports WPA2-PSK (AES) only) , WPA3-SAE (AES)

## Wireless Certification

Wi-Fi Certification Mark License (WPA3™ - Enterprise, Personal), Wi-Fi Protected Setup™ (WPS) Identifier Mark License, Wi-Fi CERTIFIED™ Wi-Fi Direct

## Computer Requirements Specifications

Supported Operating Systems And Software Functions

Computer Platform & Operating System Version		Computer Interface			Processor	Hard Disk Space to Install <sup>1</sup>	
		USB <sup>2</sup>	Wired LAN	Wireless <sup>3</sup>		For Drivers	For Applications (including Drivers)
Windows Operating System	Windows 10 Home / 10 Pro / 10 Education / 10 Enterprise	Printing			32 bit (x86) or 64 bit (x64) processor	50 MB	1.6 GB
	Windows 11 Home / 11 Pro / 11 Education / 11 Enterprise				64 bit (x64) processor		
	Windows Server 2012	Printing			64 bit (x64) processor	50 MB	
	Windows Server 2012 R2						
	Windows Server 2016						
	Windows Server 2019						
	Windows Server 2022						
Mac Operating	macOS v11	Printing			64 bit processor	N/A	500 MB

System <sup>4</sup>	macOS v12		sor		
	macOS v13				
Chrome OS		Printing	N/A	N/A	N/A

<sup>1</sup> An Internet connection is required to install the software if the installation disc is not supplied.

<sup>2</sup> Third party USB ports are not supported.

<sup>3</sup> For certain models, the optional Wireless Module is required.

<sup>4</sup> macOS Disclaimer

AirPrint capable: Printing via macOS requires the use of AirPrint. Mac drivers are not provided for this machine.

For the latest driver updates, go to your model's **Downloads** page at [support.brother.com](http://support.brother.com).

For the latest **Supported OS**, go to your model's Supported OS page at [support.brother.com/os](http://support.brother.com/os).

All trademarks, brand and product names are the property of their respective companies.



## Related Information

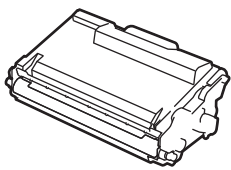
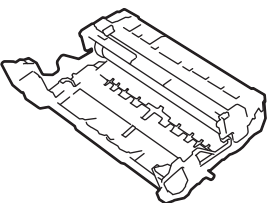
- [Appendix](#)

## Supplies

When the time comes to replace supplies, such as the toner cartridge or drum unit, an error message will appear on your machine's control panel or in the Status Monitor. For more information about the supplies for your machine, visit [www.brother.com/original](http://www.brother.com/original) or contact your local Brother dealer.



- The toner cartridge and drum unit are two separate parts.
- Supply product codes vary by country and region.

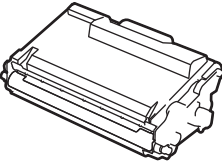
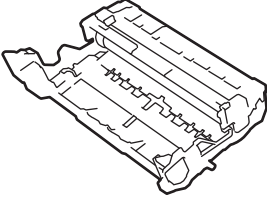
For Australia and New Zealand				
Supply	Supply Product Codes	Approximate Life (Page Yield)	Applicable Models	
<b>Toner Cartridge</b> 	Standard Toner: TN3605	Approximately 3,000 pages <sup>1 2</sup>	HL-L5210DN/HL-L5210DW/ HL-L6210DW/HL-L6415DW	
	High Yield Toner: TN3605XL	Approximately 6,000 pages <sup>1 2</sup>	HL-L5210DN/HL-L5210DW/ HL-L6210DW/HL-L6415DW	
	Super High Yield Toner: TN3605XXL	Approximately 11,000 pages <sup>1 2</sup>	HL-L5210DN/HL-L5210DW/ HL-L6210DW/HL-L6415DW	
	Ultra High Yield Toner: TN3615	Approximately 18,000 pages <sup>1 2</sup>	HL-L6210DW/HL-L6415DW	
	Maximum Yield Toner: TN3615XL	Approximately 25,000 pages <sup>1 2</sup>	HL-L6415DW	
	Inbox Toner: (Supplied with your machine)		Approximately 3,000 pages <sup>1 2</sup>	HL-L5210DN/HL-L5210DW
			Approximately 6,000 pages <sup>1 2</sup>	HL-L6210DW
		Approximately 11,000 pages <sup>1 2</sup>	HL-L6415DW	
<b>Drum Unit</b> 	DR3605	Approximately 75,000 pages <sup>3</sup>	HL-L5210DN/HL-L5210DW/ HL-L6210DW/HL-L6415DW	

<sup>1</sup> A4 or Letter size single-sided pages

<sup>2</sup> The approximate cartridge yield is declared in accordance with ISO/IEC 19752.

<sup>3</sup> Approximately 75,000 pages based on three pages per job and 45,000 pages based on one page per job (A4/Letter single-sided pages). The number of pages may be affected due to a variety of factors including but not limited to media type and media size.

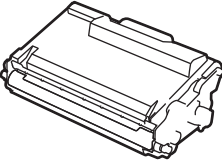
For Middle Eastern and African countries			
Supply	Supply Product Codes	Approximate Life (Page Yield)	Applicable Models
<b>Toner Cartridge</b>	Standard Toner: TN3607	Approximately 3,000 pages <sup>1 2</sup>	HL-L5210DN/HL-L5210DW/ HL-L6210DW/HL-L6410DN

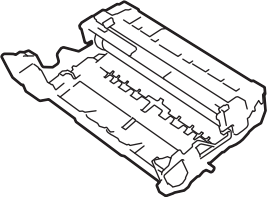
For Middle Eastern and African countries			
Supply	Supply Product Codes	Approximate Life (Page Yield)	Applicable Models
			
	Super High Yield Toner: TN3607XXL	Approximately 11,000 pages <sup>1 2</sup>	HL-L5210DN/HL-L5210DW/ HL-L6210DW/HL-L6410DN
	Ultra High Yield Toner: TN3617	Approximately 18,000 pages <sup>1 2</sup>	HL-L5210DN/HL-L5210DW/ HL-L6210DW/HL-L6410DN
	Maximum Yield Toner: TN3617XL	Approximately 25,000 pages <sup>1 2</sup>	HL-L6210DW/HL-L6410DN
	Inbox Toner: (Supplied with your machine)	Approximately 6,000 pages <sup>1 2</sup>	HL-L5210DN/HL-L5210DW/ HL-L6210DW
Approximately 25,000 pages <sup>1 2</sup>		HL-L6410DN	
<b>Drum Unit</b> 	DR3607	Approximately 75,000 pages <sup>3</sup>	HL-L5210DN/HL-L5210DW/ HL-L6210DW/HL-L6410DN

<sup>1</sup> A4 or Letter size single-sided pages

<sup>2</sup> The approximate cartridge yield is declared in accordance with ISO/IEC 19752.

<sup>3</sup> Approximately 75,000 pages based on three pages per job and 45,000 pages based on one page per job (A4/Letter single-sided pages). The number of pages may be affected due to a variety of factors including but not limited to media type and media size.

For Asian countries			
Supply	Supply Product Codes	Approximate Life (Page Yield)	Applicable Models
<b>Toner Cartridge</b> 	Standard Toner: TN3608	Approximately 3,000 pages <sup>1 2</sup>	HL-L5210DN/HL-L5210DW/ HL-L6210DW/HL-L6415DW
	High Yield Toner: TN3608XL	Approximately 6,000 pages <sup>1 2</sup>	HL-L5210DN/HL-L5210DW/ HL-L6210DW/HL-L6415DW
	Super High Yield Toner: TN3608XXL	Approximately 11,000 pages <sup>1 2</sup>	HL-L5210DN/HL-L5210DW/ HL-L6210DW/HL-L6415DW
	Ultra High Yield Toner: TN3618	Approximately 18,000 pages <sup>1 2</sup>	HL-L5210DN/HL-L5210DW/ HL-L6210DW/HL-L6415DW
	Maximum Yield Toner: TN3618XL	Approximately 25,000 pages <sup>1 2</sup>	HL-L6415DW
	Inbox Toner: (Supplied with your machine)	Approximately 3,000 pages <sup>1 2</sup>	(Except for India, Korea and Taiwan)

For Asian countries			
Supply	Supply Product Codes	Approximate Life (Page Yield)	Applicable Models
			HL-L5210DN/HL-L5210DW/ HL-L6210DW (For Taiwan) HL-L5210DN/HL-L6415DW
		Approximately 11,000 pages <sup>1 2</sup>	(For India and Korea) HL-L5210DN/HL-L5210DW
		Approximately 25,000 pages <sup>1 2</sup>	(Except for Taiwan) HL-L6415DW
<b>Drum Unit</b> 	DR3608	Approximately 75,000 pages <sup>3</sup>	HL-L5210DN/HL-L5210DW/ HL-L6210DW/HL-L6415DW

<sup>1</sup> A4 or Letter size single-sided pages

<sup>2</sup> The approximate cartridge yield is declared in accordance with ISO/IEC 19752.

<sup>3</sup> Approximately 75,000 pages based on three pages per job and 45,000 pages based on one page per job (A4/Letter single-sided pages). The number of pages may be affected due to a variety of factors including but not limited to media type and media size.



## Related Information

- [Appendix](#)

## Accessories

Availability of accessories may vary depending on your country or region. For more information about the accessories for your machine, visit [www.brother.com/original](http://www.brother.com/original) or contact your Brother dealer or Brother customer service.

Product Codes	Items	Applicable Models
LT-5505	Lower Tray (250 sheets)	<ul style="list-style-type: none"> <li>• HL-L5210DN/HL-L5210DW <sup>1</sup></li> <li>• HL-L6210DW/HL-L6410DN/HL-L6415DW <sup>2</sup></li> </ul>
LT-6505	Lower Tray (520 sheets)	<ul style="list-style-type: none"> <li>• HL-L5210DN/HL-L5210DW <sup>1</sup></li> <li>• HL-L6210DW/HL-L6410DN/HL-L6415DW <sup>2</sup></li> </ul>
MX-4000	Mailbox	HL-L6410DN/HL-L6415DW
SF-4000 (Available only for certain countries)	Stapler Finisher	HL-L6410DN/HL-L6415DW
TT-4000	Tower Tray <sup>3</sup>	HL-L6410DN/HL-L6415DW
CH-1000	Card Reader Holder	HL-L6410DN/HL-L6415DW
NC-9110W (Available only for certain countries)	Wireless Module	HL-L6410DN

<sup>1</sup> Maximum number of Lower Trays: Up to two Lower Trays in any combination.

<sup>2</sup> Maximum number of Lower Trays: Up to three LT-5505 Lower Trays or up to two Lower Trays in any combination.

<sup>3</sup> Available only when the Lower Tray Unit is not installed to the machine.

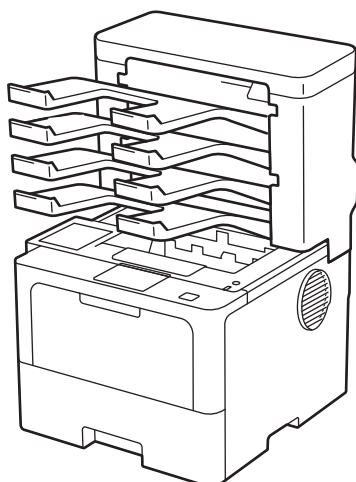


### Related Information

- [Appendix](#)
  - [The Mailbox Unit](#)

## The Mailbox Unit

**Related Models:** HL-L6410DN/HL-L6415DW



The optional Mailbox (MX) unit gives you increased control over your machine's print output. You can assign the unit's four output bins to specific users, organise specific print jobs more efficiently, and extend the machine's printout capacity.

Use the Mailbox unit as a:

- **Mailbox:** Assign each bin to a specific user or group, and send print jobs directly to each recipient's bin.
- **Stacker:** When printing large documents, use the bins to increase your machine's output tray capacity. When the machine's output tray is full, the machine ejects the pages into the Mailbox bins.

To increase the machine's output capacity to a maximum of 1,050 sheets (including the standard output tray), remove bins 2 and 4.

- **Sorter:** When printing multiple copies, set the printer driver to eject each copy into a different bin.

Set your preferences for **Stacker (MX Stacker)** and **Sorter (MX Sorter)** in your printer driver or on your machine's LCD.



---

For information regarding settings from your machine, see *Related Information*.

---

### To set MX Stacker or MX Sorter in your printer driver (for Windows)

In your printer driver, click the **Advanced** tab, click the **Output Tray** drop-down menu, and select either **MX Stacker** or **MX Sorter**. Click **OK**.

### To set MX Stacker or MX Sorter in your printer driver (for Mac)

In your printer driver, select **Print Settings**, click the **Output Tray** pop-up menu, and select either **MX Stacker** or **MX Sorter**.



---

For more information on printer driver settings, see *Related Information*.

---



### Related Information

- [Accessories](#)
  - [Set MX Stacker or MX Sorter Using the Machine's LCD](#)
  - [Use Standard Tray When Full](#)
  - [Set the Mailbox Continue Feature](#)
  - [Assign a Mailbox Bin to a User or Group](#)



---


**Related Topics:**

- [Print Settings \(Windows\)](#)
-

## Set MX Stacker or MX Sorter Using the Machine's LCD

**Related Models:** HL-L6410DN/HL-L6415DW

When you use the Mailbox unit, set your preferences for Stacker and Sorter from the machine's LCD.

Press  [Settings] > [All Settings] > [General Setup] > [Tray Setting] > [Output Tray] > [MX Stacker] or [MX Sorter].



### Related Information

- [The Mailbox Unit](#)

## Use Standard Tray When Full

**Related Models:** HL-L6410DN/HL-L6415DW

The **Use Std. Tray when full** feature allows a large print job to continue printing, even if the Mailbox bins are full. If you select this option in your printer driver, the machine continues the print job, ejecting the remaining pages onto the machine's main output tray when the Mailbox bins are full.



This setting's name is for Windows and may vary for Mac depending on your country.



### Related Information

- [The Mailbox Unit](#)


## Set the Mailbox Continue Feature

**Related Models:** HL-L6410DN/HL-L6415DW

If a print job stopped because all the bins are full, the MX (Mailbox) Continue feature allows the machine to resume the print job after you remove the printed pages from any of the printout locations.

Setting	Description
On	Your machine resumes the print job using the first empty output tray or Mailbox bin.
Off	You must remove the printed pages from the output tray and all Mailbox bins to resume the print job.

By default, MX Continue is off. To turn on MX Continue:

Press  [Settings] > [All Settings] > [General Setup] > [Tray Setting] > [MX Continue] > [On].



### Related Information

- [The Mailbox Unit](#)

## Assign a Mailbox Bin to a User or Group

**Related Models:** HL-L6410DN/HL-L6415DW

To organise print jobs by sending them to a specific recipient, assign each Mailbox bin to an individual or to a group.



- This feature is available only when Secure Function Lock 3.0 is on.
- Make sure you select **Auto Detect** (default setting) from **Output Tray** in the printer driver when you send the print job.
- This setting's name is for Windows and may vary for Mac depending on your country.

Anyone using your Brother machine can send a print job to a specific bin but the administrator must assign the bins to users or groups first.

1. Start your web browser.
2. Type "https://machine's IP address" in your browser's address bar (where "machine's IP address" is your machine's IP address).

For example:

https://192.168.1.2

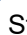
3. If required, type the password in the **Login** field, and then click **Login**.



The default password to manage this machine's settings is located on the back of the machine and marked "Pwd".

4. Go to the navigation menu, and then click **Administrator > User Restriction Function** or **Restriction Management**.



Start from , if the navigation menu is not shown on the left side of the screen.

5. Select **Secure Function Lock**.
6. Click **Submit**.
7. Click the **Restricted Functions** menu.
8. In the **User List / Restricted Functions** field, type a group name or user name.
9. Click the **Output** drop-down list, and then select the output tray for each user.
10. Click **Submit**.
11. Go to the navigation menu, and then click **Print > Tray**.
12. Click the **Output** drop-down list, and then select **SFL setting**.
13. Click **Submit**.



### Related Information

- [The Mailbox Unit](#)

## Brother Help and Customer Support

If you need help with using your Brother product, visit [support.brother.com](http://support.brother.com) for FAQs and troubleshooting tips. You can also download the latest software, drivers and firmware, to improve the performance of your machine, and user documentation, to learn how to get the most from your Brother product.

Further product and support information is available from your local Brother office website. Visit [www.brother.com](http://www.brother.com) to find the contact details for your local Brother office and to register your new product.



### Related Information

- [Appendix](#)
-

brother



OCE/ASA/SAF/GLF/TWN  
Version 0